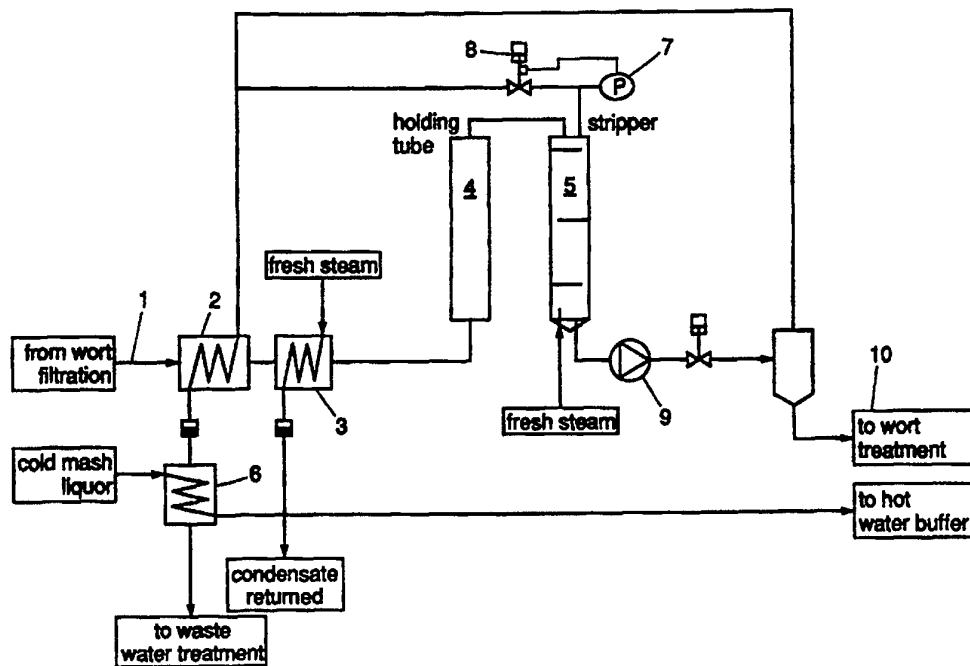




## INTERNATIONAL APPLICATION PUBLISHED UNDER THE PATENT COOPERATION TREATY (PCT)

<p>(51) International Patent Classification <sup>6</sup> : <b>C12C 7/20, 13/02</b></p>	<p><b>A1</b></p>	<p>(11) International Publication Number: <b>WO 95/26395</b></p> <p>(43) International Publication Date: 5 October 1995 (05.10.95)</p>
<p>(21) International Application Number: PCT/NL95/00113</p> <p>(22) International Filing Date: 24 March 1995 (24.03.95)</p> <p>(30) Priority Data: 94200803.8 25 March 1994 (25.03.94) EP (34) Countries for which the regional or international application was filed: AT et al.</p> <p>(71) Applicant (for all designated States except US): HEINEKEN TECHNICAL SERVICES B.V. [NL/NL]; 2e Weteringplantsoen 21, NL-1017 ZD Amsterdam (NL).</p> <p>(71)(72) Applicant and Inventor (for all designated States except US): VERSTEEGH, Christiaan, Willem [NL/NL]; Noordeinde 128, NL-2611 WV Delft (NL).</p> <p>(72) Inventor; and (75) Inventor/Applicant (for US only): VISSCHER, Hendrik, Jan [NL/NL]; Abdijbrink 38, NL-2553 GK The Hague (NL).</p> <p>(74) Agent: SMULDERS, Th., A., H., J.; Vereenigde Octrooibureaux, Nieuwe Parklaan 97, NL-2587 BN The Hague (NL).</p>		<p>(81) Designated States: AM, AT, AU, BB, BG, BR, BY, CA, CH, CN, CZ, DE, DK, EE, ES, FI, GB, GE, HU, IS, JP, KE, KG, KP, KR, KZ, LK, LR, LT, LU, LV, MD, MG, MN, MW, MX, NL, NO, NZ, PL, PT, RO, RU, SD, SE, SG, SI, SK, TJ, TM, TT, UA, UG, US, UZ, VN, European patent (AT, BE, CH, DE, DK, ES, FR, GB, GR, IE, IT, LU, MC, NL, PT, SE), OAPI patent (BF, BJ, CF, CG, CI, CM, GA, GN, ML, MR, NE, SN, TD, TG), ARIPO patent (KE, MW, SD, SZ, UG).</p> <p><b>Published</b> With international search report.</p>

(54) Title: A PROCESS FOR THE CONTINUOUS BOILING OF WORT



(57) Abstract

This invention relates to a process for the continuous boiling of wort, comprising feeding the unboiled wort to a wort heater, wherein it is heated to a temperature between 75 and 125 °C, introducing the heated wort in a plug flow reactor, preferably a rotating disc holding column, followed by treating the wort obtained from said reactor in countercurrent with steam in a stripping column.

**FOR THE PURPOSES OF INFORMATION ONLY**

Codes used to identify States party to the PCT on the front pages of pamphlets publishing international applications under the PCT.

AT	Austria	GB	United Kingdom	MR	Mauritania
AU	Australia	GE	Georgia	MW	Malawi
BB	Barbados	GN	Guinea	NE	Niger
BE	Belgium	GR	Greece	NL	Netherlands
BF	Burkina Faso	HU	Hungary	NO	Norway
BG	Bulgaria	IE	Ireland	NZ	New Zealand
BJ	Benin	IT	Italy	PL	Poland
BR	Brazil	JP	Japan	PT	Portugal
BY	Belarus	KE	Kenya	RO	Romania
CA	Canada	KG	Kyrgystan	RU	Russian Federation
CF	Central African Republic	KP	Democratic People's Republic of Korea	SD	Sudan
CG	Congo	KR	Republic of Korea	SE	Sweden
CH	Switzerland	KZ	Kazakhstan	SI	Slovenia
CI	Côte d'Ivoire	LI	Liechtenstein	SK	Slovakia
CM	Cameroon	LU	Luxembourg	SN	Senegal
CN	China	LK	Sri Lanka	TD	Chad
CS	Czechoslovakia	LV	Latvia	TG	Togo
CZ	Czech Republic	MC	Monaco	TJ	Tajikistan
DE	Germany	MD	Republic of Moldova	TT	Trinidad and Tobago
DK	Denmark	MG	Madagascar	UA	Ukraine
ES	Spain	ML	Mali	US	United States of America
FI	Finland	MN	Mongolia	UZ	Uzbekistan
FR	France			VN	Viet Nam
GA	Gabon				

Title: A process for the continuous boiling of wort

This invention relates to a process for the continuous boiling of wort, as well as to a process for brewing beer from said boiled wort.

When preparing beverages from cereals, more in particular when brewing beer, wort is used. A conventional preparation of wort occurs by mixing the starting materials, e.g., comprising unmalted grain (maize) and water. The solid materials are first pulverised and then mixed with the water. The resulting slurry is kept for some time at a temperature of at least 40°C in the presence of an enzyme source, e.g., malt. Gelatinization and liquefaction thereby occur. In a next step the enzymatic conversion of the mixture (mash) is continued after supplementary addition of malt and/or an external enzyme source. It is also possible to prepare wort on the basis of malt and water. Then the first step is omitted.

The product thus obtained consists mainly of water, insoluble components of the raw materials, as well as soluble components thereof, such as fermentable and unfermentable sugars and proteins. In the conventional method this mixture is filtered to remove the insoluble components, the spent grain. The filtrate or extract is the wort. For brewing beer, hop is then added to the wort, which is boiled. The trub formed is removed, and the wort is cooled to about 8°C and fermented.

The aim of this wort boiling operation covers a diversity of goals:

- extraction of the bitter components of the hops,
- deactivation of enzymes and proteins,
- formation and agglomeration of trub for subsequent separation,
- sterilisation of the wort,

- the removal of volatile off-flavour components and
- the evaporation of excess sparging water.

Normally the effectiveness of the boiling process is determined by three parameters: duration, intensity (e.g. 5 evaporation) and boiling temperature.

The necessary duration of the boiling to complete all desired effects is determined by the evaporation rate and the boiling temperature. The relatively slow isomerisation of hops is the rate determining step. At atmospheric pressure and 10 about 100°C, a good isomerisation of hop takes a minimum of 45 minutes. At higher temperatures and pressures the isomerisation can be completed in times as short as two to three minutes.

Besides affecting the homogeneity of the boiling the 15 vigour of the boiling is of special importance for the removal of volatiles. The more vigorous the boiling, the better the removal of sulphuric off-flavours. Especially sulphur compounds like dimethylsulphide (DMS) have a very low taste threshold in the final beer and can only be removed during 20 boiling. The concentration of this compound will in fact increase again during later fermentation of the wort by yeast excretion.

The stripping effect of the boil is determined by the total evaporation during boiling and by the geometry of the 25 wort kettle to obtain a good "rolling" boil. Typically evaporation rates of 6-8 %/hr are used in the brewing industry. Because of the large amounts of water that have to be evaporated to achieve the desired off-flavour reduction, the boiling stage is one of the largest energy consuming 30 processes in a brewery.

Although the boiling process can be accelerated significantly at elevated temperatures, either through external heat exchangers or pressure cooking or the use of multi-effect evaporators (known as HTW: High Temperature Wort- 35 boiling), overheating of the wort is known to have undesired effects on a number of quality aspects of the final beer among which are colour and head retention.

Although this HTW process is a continuous process, with the inherent advantages thereof, this process is not acceptable because of two reasons:

- 5 (a) The adverse effects on beer quality through the use of temperatures in the range of 120 - 130 °C which are significantly higher than what is used at the moment in the brewing industry, e.g. 100 - 108 °C.
- 10 (b) The occurrence of severe fouling by protein precipitates in the holding tubes of the HTW. This requires a long and intensive cleaning which does not fit the requirement of a continuous operation.

It would be advantageous if wort could be boiled continuously, as such a step could then be incorporated in a continuous wort production process. This process could for  
15 example include the process steps disclosed in the European Patent Application Nos. 563,283 and 565,608, the contents of which is incorporated herein by way of reference.

In order to be able to operate continuously it is a requirement to have only short or negligible cleaning breaks  
20 and boiling under atmospheric conditions as used presently in the most widely adapted boiling operation in the industry.

The aim of the present invention is to provide a continuous boiling process which may be part of a continuous  
25 brewhouse, wherein the disadvantages of the prior art methods have been minimised and which process is capable of producing a boiled wort from which a beer can be brewed having a beer quality that is comparable to the traditional batch-wise process.

The present invention is concerned with a continuous  
30 boiling process of wort, said process comprising feeding the unboiled wort to a wort heater, wherein it is heated to a temperature between 75 and 125°C, introducing the heated wort in a plug-flow reactor, preferably a rotating disc holding reactor, followed by treating the wort obtained from said  
35 reactor in countercurrent with steam in a stripping column.

The wort heater or heat exchanger is preferably a plate or shell-and-tube heat exchanger heated with steam. In this

heater the incoming wort is heated from the filtration temperature (typically 75 °C) to the boiling temperature. Because of the continuous flow the required heating area is smaller than conventional exchangers.

5 Also applicable for this purpose would be a evaporator (for example of the falling-film type), which could be used for heating the wort as well as producing the steam for the later stripping section.

The wort is than transferred into a holding column,  
10 operating at a temperature of from 75 to 125°C and a pressure of 1 to 2 bar, to obtain the required residence time for the several reactions to take place at temperatures close to the boiling temperature. The rotating disc column (or rotating disc contactor) is equipped with a rotating axis fitted with a  
15 large number of discs. The discs serve two purposes:

- (1) to apply a gentle stirring to aid the coagulation and agglomeration of trub particles and keep them in suspension, thus preventing the excessive fouling of the column internals, and
- 20 (2) to obtain a controllable residence time distribution so that all the wort is subjected to the same duration at higher temperatures.

As plug flow reactor, various types of reactor may be used, in which connection it is of special importance that no  
25 unacceptable back-mixing and or pre-mixing of the components occur. Examples thereof are tubular reactors and cascades of more or less ideally agitated tank reactors. A preferred type of reactor is the so-called rotating disc contactor, which is a known type of vertical column reactor as described in, e.g.,  
30 Kirk-Othmer, Encyclopedia of Chemical Technology, Third edition, Vol. 9, page 702.

Such a reactor generally consist of a vertical column provided with a central agitator shaft having attached thereto  
10 or more discs or plates . These discs or plates cover at  
35 least 80 % of the cross section of the column. In general, this surface does not exceed 95 %. By rotating the shaft and

discs in the column a proper dispersion of the solid matter in the liquid occurs.

The use of a contactor instead of an arrangement of holding tubes has the advantage that due to the stirring  
5 action, when wort passes the holding tubes at low speed (necessary to obtain an acceptable residence time) the agglomerated denatured proteins and enzymes bonded with hop resins or polyphenols from malt or hop will not settle.

In the past this precipitation caused residues in the  
10 tubes at high temperatures at long times, which form a impenetrable deposit requiring a thorough cleaning action using alternating hot and cold water cleaning cycles to "crack" the deposits from the tube surface. The rotating discs contactor prevents the formation of deposits by the agitation,  
15 the absence of baffles ensures a minimum of dead-spots inside the column.

The volume of the plug flow reactor and more in particular the rotating disc contactor is chosen to reach a holding time of 45- 75 minutes, during this time all the  
20 desired reactions will have proceeded sufficiently.

In the third stage of the process the wort is fed to a distillation type stripping column, operating at a temperature of from 75 to 125°C and a pressure of 1 to 2 bar. The column is fitted with trays on which the wort is stripped, preferably  
25 countercurrently with fresh saturated steam.

Because of the large number of trays (at least 5 trays) and subsequent equilibrium stages the volatile components are removed in a very short time at a high efficiency. The residence time in the column is typically only 10 s to ten  
30 minutes, preferably 0,5 to 2 minutes. Because of the high efficiency the use of stripping steam is smaller than the net evaporation during traditional wort boiling. The gain in energy consumption is therefore significant. The continuous operation further enables the reuse of the stripping steam to  
35 heat the incoming wort. Optionally the wort is heated and partially evaporated in a evaporation unit, the generated

vapours serving as the stripping medium in the stripping column.

As stripping section various types of stripping and/or distillation equipped can be used, such as a tray or packed column, for example using the so-called Sulzer™ packing, or a baffled column.

A stripping column will preferably have 5 or more trays or a packed height of at least 2 meters.

The tray-type column with downcomers assures a good mixing of steam and wort and has a broad operating range. As the volume is very small this type of column can easily be cleaned by successive filling and draining of the column in either normal flow or reverse flow. Care has to be taken during mash filtration prior to the boiling of the wort as particles resulting from inadequate mash separation may block the upper trays.

Saturated steam is fed through a bottom inlet below the bottom tray or packing. Because of the highly efficient mass transfer the steam flow can be set as low as 4 - 6 wt. % of the mass flow of wort.

A good insulated column is necessary to maintain equilibrium between wort and steam temperature to prevent steam condensing in the wort resulting in undesired dilution of the wort and inefficient steam usage.

The use of a holding column in combination with a stripping column offers a number of unexpected benefits in a process-technological view. As one of the most important off-flavour components, dimethylsulphide (DMS), is formed from a non-volatile precursor, the holding stage assures that a maximum amount of the precursor is transformed into DMS entering the stripping section. This means that the resulting level of DMS will be very low, as DMS itself is removed with high efficiency in the stripping section.

The stripped wort leaving the evaporator can now be treated further in either a continuous way or a traditional way (trub separation through centrifuges or whirlpool, wort cooling and aeration and fermentation). A further continuous



treatment of the wort leaving the boiling section means that the holding time at high temperatures can be shortened even further to a couple minutes by separating the trub in continuous fashion with a centrifuge. Traditionally the use of  
5 a whirlpool means that the wort is subjected to long holding times in the range of 20 -100 minutes at 95 - 100 °C, that are not beneficial to the wort quality.

The cooled wort can be fermented, optionally after residence time in a buffer vessel. The invention therefore  
10 also relates to a process for brewing beer using the wort prepared as described above.

The process of the present invention accordingly offers the following advantages:

- continuous operation
- 15 - atmospheric boiling conditions
- optimum trub formation by low shear conditions
- highly efficient off-flavour stripping replacing high evaporation rates
- highly energy efficient enabling high heat recovery
- 20 - favourable low oxidation conditions as there is no contact with air.
- a well defined residence time in the entire arrangement, resulting in no effects of inadequate mixing or localised overheating
- 25 - low volume equipment enables effective cleaning and less usage of cleaning agents.
- small area requirements of the equipment compared to traditional boiling coppers.
- reuse and subsequent condensation of the stripping steam  
30 containing the off-flavours prevents the emission to the atmosphere.
- reduced heat load on the wort due to the shorter processing times.

The invention will now be illustrated with reference to  
35 the accompanying drawing showing an example of the process scheme according to an embodiment of the invention.

In the figure a process according to the invention is shown, comprising a three element boiling section consisting of a wort inlet 1, receiving the wort from the mash filtration or mash filtration buffer vessel. This wort, having a  
5 temperature in the range of 75 °C, is heated using heat exchangers 2 and 3, being a shell-and-tube, a spiral or a plate heat exchanger. The heating medium in heat exchanger 2 is steam exiting from the stripper and heat exchanger 3 is fed with fresh steam. In the heat exchangers the wort is heated to  
10 a temperature of 100 °C or slightly higher (1 to 3 °C) to counter the heat loss in the holding column 4. The wort is fed to the column 3 through a pump 6 necessary to overcome the static head of the column. Holding column 3 is of the vertical rotating disc type equipped with a rotating agitating shaft  
15 driven by a motor with gear.

The holding column 4 can be fed from either top or bottom inlet, the bottom inlet being chosen in this embodiment as in this case the stripping column 5 is fed from top enabling a down flow by gravity. The residence time in the holding column  
20 can be set by adding outlets at selected heights in the column.

The stripping section 5 is fed from the bottom with saturated steam controlled by a pressure reduction valve and a mass flow measurement coupled with a flow-regulating valve.  
25 The flow rate of steam is set as a fixed percentage of the wort flow entering the stripping section to obtain an optimum operation regime, preventing either raining or flooding flow regimes on the trays. The steam leaving the stripper, which contains high concentrations of stripped components is either  
30 discharged through a chimney or can be condensed partly (by heating incoming wort with exchanger 2) or be totally condensed by using exchanger 2 in conjunction with a condenser 6, after which the condensate can be treated in the waste water processing plant. With the aid of pressure gauge 7 and  
35 regulating valve 8 it is possible - though not necessary - to operate the arrangement at elevated pressures and temperatures offering the opportunity to run the arrangement at higher

throughputs. This is of course limited only by the maximum flow possible within the operating regimes of the stripping column. Wort leaving the downcomer from the bottom tray can be pumped 9 to the trub separation section 10 and further  
5 processing of the wort. When using the arrangement at elevated pressures the wort exiting from the stripping section will have to be flashed to ambient conditions in a separate buffer vessel. A level controller in the bottom of the stripping column separates the higher pressure in the column from the  
10 atmospheric pressure in the receiving and/or flashing vessel.

The invention will be further illustrated by an Example, but is not limited thereto.

#### EXAMPLE and COMPARATIVE EXAMPLE

15

A filtered wort was produced in a conventional manner, the mash having been produced by an infusion scheme, which mash is subsequently filtered by means of a lautertun. The wort coming from the lautertun had a temperature of 74°C. The  
20 filtrate collected from the lautertun, having a gravity of 12.5°P, was led to a shell and tube heat exchanger, in which the wort was heated, using fresh steam on the shell side, to temperature of 103°C. The wort exiting from the heat exchanger was introduced into the bottom of a rotating disc contactor  
25 with a volume of 600 l at a flow rate of 1200 l/h. This contactor had a vertical rotating axis provided with 40 discs.

In the holding reactor (rotating disc contactor) S-methylmethionine (SMM) was satisfactorily converted to dimethylsulphide (DMS).

30

The wort was subsequently fed into the top section of a tray column equipped with 12 trays and downcomers. The hold up volume of the column was approximately 20 l. Fresh, saturated steam was fed into the bottom section of the column, representing a stripping ratio of 5%.

35

The boiled wort was subsequently fed to a separator for removal of trub and cooled. This wort was processed further to beer and bottled.

At various stages of the process the level of DMS was determined.

	After filtration:	74 µg/l
5	After contactor	195 µg/l
	After stripper	<10 µg/l*
	After separator and cooling	20 µg/l
	Final beer	40 µg/l**
	*: detection limit is 10 µg/l	
10	**: well below the taste threshold	

As a comparison a part of the filtrate coming from the lautertun was boiled in a conventional batch-wise wort boiling kettle and processed further to a beer. An analytical and organoleptical comparison showed no significant differences, except for the slightly darker colour of the beer obtained by the conventional process. This can be attributed to the longer residence times at elevated temperature, which is known to cause darkening of the wort.

CLAIMS

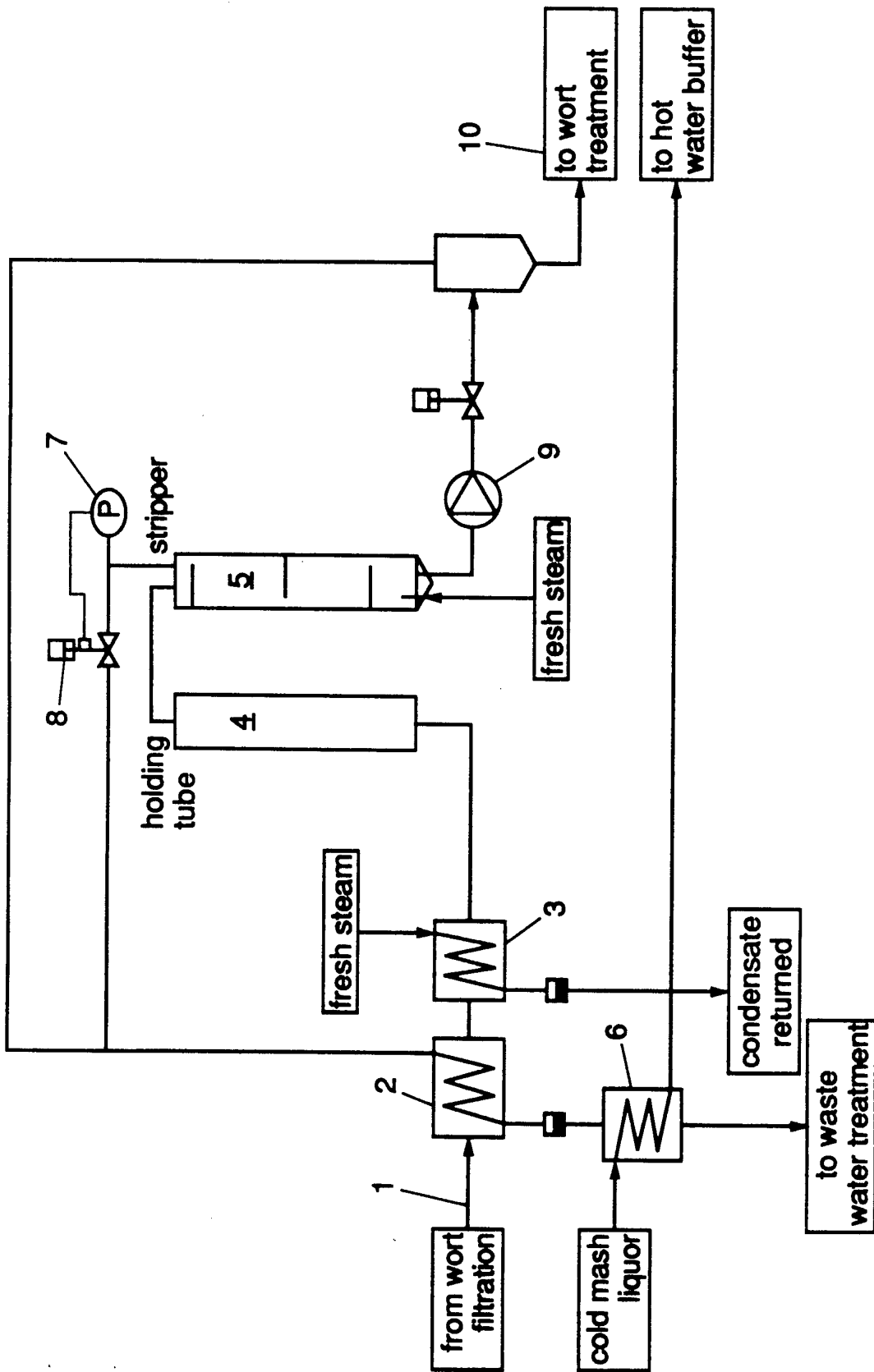
1. A process for the continuous boiling of wort, comprising feeding the unboiled wort to a wort heater, wherein it is heated to a temperature between 80 and 110°C, introducing the heated wort in a plug flow reactor, preferably a rotating disc holding column, followed by treating the wort obtained from said reactor in countercurrent with steam in a stripping column.
2. A process as claimed in claim 1, wherein the plug flow reactor has multiple outlets to control the residence time of the wort at a fixed inlet flow.
3. A process as claimed in claim 1 or 2, wherein the plug flow reactor operates at a pressure of from 1 to 2 bar, and a temperature of from 75 to 125 °C.
4. A process as claimed in claim 1-3, wherein the said wort heater is indirectly heated with steam exiting from the said stripping column.
5. A process as claimed in claim 1-4, wherein, optionally pre isomerised, hop pellets and/or hop extracts are added before or after the said wort heater.
6. A process as claimed in claim 1-6, wherein the stripping column is operated at a pressure of from 1 to 2 bar, and a temperature of from 75 to 125°C.
7. A process according to claim 1-6, wherein the stripping steam is used as heating medium in the wort heater and/or for heating other process flows.
8. A process as claimed in claim 1-7, wherein the wort from the stripping column is flashed into a buffer vessel.
9. A process as claimed in claim 1-8, wherein the wort is heated and partially evaporated in a evaporation unit, the

generated vapours serving as the stripping medium in the stripping column.

10. A process as claimed in claims 1-9, wherein the boiled wort, optionally after clarification, is cooled and fermented.

5 11. A process for brewing beer, comprising the fermentation of wort obtained using the process as claimed in claim 1-10.

12. Beer obtained by the process of claim 11.



# INTERNATIONAL SEARCH REPORT

International Application No  
**PCT/NL 95/00113**

<b>A. CLASSIFICATION OF SUBJECT MATTER</b> IPC 6    C12C7/20    C12C13/02		
According to International Patent Classification (IPC) or to both national classification and IPC		
<b>B. FIELDS SEARCHED</b>		
Minimum documentation searched (classification system followed by classification symbols) IPC 6    C12C		
Documentation searched other than minimum documentation to the extent that such documents are included in the fields searched		
Electronic data base consulted during the international search (name of data base and, where practical, search terms used)		
<b>C. DOCUMENTS CONSIDERED TO BE RELEVANT</b>		
Category *	Citation of document, with indication, where appropriate, of the relevant passages	Relevant to claim No.
A	GB-A-2 182 672 (KOBANYAI SORGYAR) 20 May 1987 see claims ---	1-3
A	BRAUWELT, vol. 121, 1981 NÜRNBERG, pages 49-51, K. STIPPLER 'Kontinuierliche Würzekochung mit Wärmerückgewinnung.' see page 49, column 3; figure 2 ---	1
A	GB-A-953 445 (THE A.P.V. COMPANY LIMITED) 25 March 1964 ---	1,9
A	DE-C-43 04 975 (B. LENZ & A. LENZ) 3 March 1994 ---	1
-/--		
<input checked="" type="checkbox"/> Further documents are listed in the continuation of box C.		
<input checked="" type="checkbox"/> Patent family members are listed in annex.		
* Special categories of cited documents :		
"A" document defining the general state of the art which is not considered to be of particular relevance	"T" later document published after the international filing date or priority date and not in conflict with the application but cited to understand the principle or theory underlying the invention	
"E" earlier document but published on or after the international filing date	"X" document of particular relevance; the claimed invention cannot be considered novel or cannot be considered to involve an inventive step when the document is taken alone	
"L" document which may throw doubts on priority claim(s) or which is cited to establish the publication date of another citation or other special reason (as specified)	"Y" document of particular relevance; the claimed invention cannot be considered to involve an inventive step when the document is combined with one or more other such documents, such combination being obvious to a person skilled in the art.	
"O" document referring to an oral disclosure, use, exhibition or other means	"&" document member of the same patent family	
"P" document published prior to the international filing date but later than the priority date claimed		
Date of the actual completion of the international search  <p style="text-align: center;">14 June 1995</p>	Date of mailing of the international search report  <p style="text-align: center;">21 -06- 1995</p>	
Name and mailing address of the ISA European Patent Office, P.B. 5818 Patentlaan 2 NL - 2280 HV Rijswijk Tel. (+ 31-70) 340-2040, Tx. 31 651 epo nl, Fax: (+ 31-70) 340-3016	Authorized officer  <p style="text-align: center;">Bevan, S</p>	



# INTERNATIONAL SEARCH REPORT

International Application No  
PCT/NL 95/00113

## C.(Continuation) DOCUMENTS CONSIDERED TO BE RELEVANT

Category *	Citation of document, with indication, where appropriate, of the relevant passages	Relevant to claim No.
A	DE-A-33 38 576 (ANTON STEINECKER MASCHINEFABRIEK GMBH) 2 May 1985 -----	1

# INTERNATIONAL SEARCH REPORT

Information on patent family members

Inter. .nal Application No

PCT/NL 95/00113

Patent document cited in search report	Publication date	Patent family member(s)	Publication date
GB-A-2182672	20-05-87	AT-B- 386605 DE-A- 3614431 FR-A, B 2582668	26-09-88 04-12-86 05-12-86
-----			
GB-A-953445		NONE	
-----			
DE-C-4304975	03-03-94	EP-A- 0611819 JP-A- 7095872	24-08-94 11-04-95
-----			
DE-A-3338576	02-05-85	NONE	
-----			