



US00D943553S

(12) **United States Design Patent**
Zhang

(10) **Patent No.:** **US D943,553 S**

(45) **Date of Patent:** **** Feb. 15, 2022**

(54) **SET OF EARPHONES AND CHARGING CASE**

FOREIGN PATENT DOCUMENTS

(71) Applicant: **Shenzhen DUNTUO Electronics Co., Ltd**, Shenzhen (CN)

EM 006807616-0001 * 9/2019
EM 006952644-0001 * 9/2019

(Continued)

(72) Inventor: **Tao Zhang**, Shenzhen (CN)

Primary Examiner — Paula Allen Greene

(**) Term: **15 Years**

(74) *Attorney, Agent, or Firm* — Prakash Nama; Global IP Services, PLLC

(21) Appl. No.: **29/714,944**

(22) Filed: **Nov. 27, 2019**

(57) **CLAIM**

(30) **Foreign Application Priority Data**

The ornamental design for a set of earphones and charging case, as shown and described.

Sep. 4, 2019 (CN) 201930485770.3

(51) **LOC (13) Cl.** **14-01**

(52) **U.S. Cl.** **D14/223**

USPC **D14/223**

(58) **Field of Classification Search**

USPC D14/223, 205, 224; D13/108; D3/201, D3/295, 294; D9/420, 424, 529, 521, D9/734; D28/76, 66, 78, 83; 132/301, 132/295; 206/702; 220/4.22; D24/174; 128/864, 865, 866; 381/380, 381, 322, 381/328, 323; 320/110; 455/90.3, 575.1, 455/569.1
CPC H02J 7/00034; H02J 7/00; H04R 1/10; H04R 25/00; H04R 25/02; H04R 1/1066; H04R 1/1016; B65D 5/00; B65D 43/02; B65D 25/10

See application file for complete search history.

DESCRIPTION

FIG. 1 is a top plan view of a set of earphones and charging case showing my new design; FIG. 2 is a perspective view thereof; FIG. 3 is a front elevational view of the earphones; FIG. 4 is a rear elevational view thereof; FIG. 5 is a left side view thereof; FIG. 6 is a right side view thereof; FIG. 7 is a top plan view thereof; FIG. 8 is a bottom plan view thereof; FIG. 9 is a perspective view thereof; FIG. 10 is another perspective view thereof; FIG. 11 is a front elevational view of a set of earphones and charging case assembled; FIG. 12 is a rear elevational view thereof; FIG. 13 is a left side view thereof; FIG. 14 is a right side view thereof; FIG. 15 is a top plan view thereof; FIG. 16 is a bottom plan view thereof; FIG. 17 is a perspective view thereof; and, FIG. 18 is another perspective view thereof. The broken lines depict environment that forms no part of the claimed design.

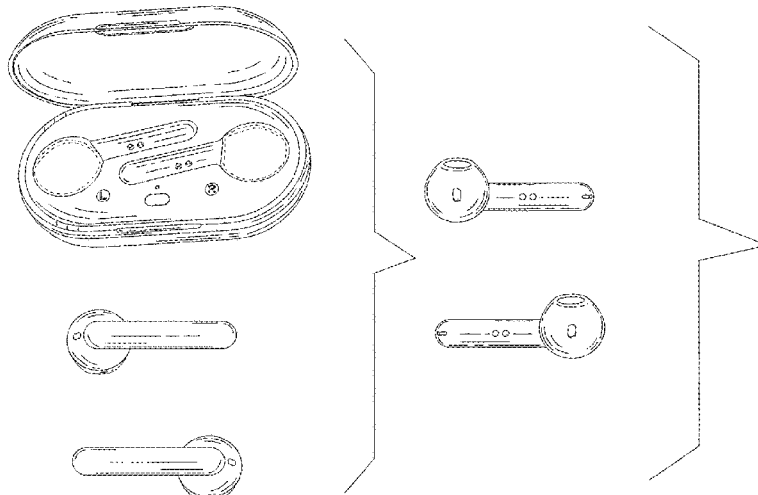
(56) **References Cited**

U.S. PATENT DOCUMENTS

1,513,776 A * 11/1924 Wells A45C 13/34 206/6
2,301,182 A * 11/1942 Kaser A45C 11/04 220/4.22
2,601,101 A * 6/1952 Derham A45C 13/005 16/250

(Continued)

1 Claim, 18 Drawing Sheets



(56)

References Cited

U.S. PATENT DOCUMENTS

4,925,059	A *	5/1990	Harvey	B65D 43/164				
						220/4.22			
5,505,328	A *	4/1996	Stribiak	A01K 97/06				
						206/315.11			
5,782,371	A *	7/1998	Baerenwald	B65D 43/168				
						220/4.22			
6,668,064	B1 *	12/2003	Lin	H04R 1/1016				
						381/380			
D738,110	S *	9/2015	Jiang	D3/294				
D757,682	S *	5/2016	Perez	D14/205				
D801,314	S *	10/2017	Akana	D14/223				
D817,640	S *	5/2018	Dang	D3/294				
D820,809	S *	6/2018	Akana	D14/205				
D822,009	S *	7/2018	Matoba	D14/223				
D830,336	S *	10/2018	Cai	D14/205				
D831,619	S *	10/2018	Matoba	D14/223				
D832,824	S *	11/2018	Kim	D14/223				
D838,480	S *	1/2019	Son	D3/294				
D841,580	S *	2/2019	Bao	D13/108				
D841,581	S *	2/2019	Bonahoom	D13/108				
D847,125	S *	4/2019	Akana	D14/223				
D847,794	S *	5/2019	Guo	D14/223				
D848,979	S *	5/2019	Kim	D14/223				
D848,980	S *	5/2019	Kim	D14/223				
D848,982	S *	5/2019	Kim	D14/223				
D848,983	S *	5/2019	Kim	D14/223				
D853,995	S *	7/2019	Cai	D14/223				
D861,647	S *	10/2019	Chen	D14/223				
D863,260	S *	10/2019	Zheng	D14/223				
D864,110	S *	10/2019	Yoshimura	D13/108				
D864,165	S *	10/2019	Roberts	D14/223				
D864,264	S *	10/2019	Tudor	D15/138				
D864,919	S *	10/2019	Bonahoom	D14/223				
D869,445	S *	12/2019	Hu	D14/223				
D870,451	S *	12/2019	Birger	D3/201				
D872,711	S *	1/2020	Hu	D14/223				
D873,217	S *	1/2020	Zhang	D13/108				
D878,048	S *	3/2020	Wang	D3/294				
D878,337	S *	3/2020	Yang	D14/223				
D881,810	S *	4/2020	Zhang	D13/108				
D882,553	S *	4/2020	Wu	D14/223				
D883,260	S *	5/2020	Hu	D14/223				
D883,960	S *	5/2020	Du	D14/223				
D886,454	S *	6/2020	Williamson	D3/294				
D887,351	S *	6/2020	Bonahoom	D13/108				
D887,396	S *	6/2020	Wang	D14/223				
10,701,472	B1 *	6/2020	Xu	H02J 7/0044				
D889,437	S *	7/2020	Ando	D14/223				
D890,138	S *	7/2020	Peng	D14/223				
D893,462	S *	8/2020	Liu	D14/223				
D894,123	S *	8/2020	Xiong	D13/108				
D894,875	S *	9/2020	Zhao	D14/223				
D895,582	S *	9/2020	Wu	D14/223				
D896,206	S *	9/2020	Xu	D14/223				
D897,997	S *	10/2020	Zhang	D14/223				
D900,065	S *	10/2020	Distefano	D14/223				
D902,588	S *	11/2020	Zhang	D3/294				
D902,589	S *	11/2020	Li	D3/295				
D903,639	S *	12/2020	Yang	D14/223				
D904,023	S *	12/2020	Wang	D3/294				
D905,017	S *	12/2020	Chen	D14/223				
D905,018	S *	12/2020	Zhu	D14/223				
D906,238	S *	12/2020	Zhang	D13/108				
D909,347	S *	2/2021	Akana	D14/223				
D910,600	S *	2/2021	Zhang	D14/223				
D913,223	S *	3/2021	Li	D13/108				
D916,683	S *	4/2021	Yao	D14/223				
D918,179	S *	5/2021	Zhao	D14/223				
D924,130	S *	7/2021	Zhang	D13/108				
D924,851	S *	7/2021	Li	D14/223				
D929,379	S *	8/2021	Woo	D14/223				
D930,621	S *	9/2021	Rong	D14/223				
D932,472	S *	10/2021	Wang	D14/223				
2015/0382100	A1 *	12/2015	Azmi	H04R 1/1016				
						381/380			
2019/0069066	A1 *	2/2019	Song	H04R 1/1041				
2019/0304896	A1 *	10/2019	Then	H01L 23/53295				
2019/0373354	A1 *	12/2019	Sondergaard	H01R 13/562				
2020/0252715	A1 *	8/2020	Zhou	H04R 1/1041				
2020/0382856	A1 *	12/2020	Liu	H04R 1/2826				

FOREIGN PATENT DOCUMENTS

EM	001477376-0001	*	2/2020
EM	008157887-0001	*	9/2020
EM	008368369-0001	*	12/2020
GB	9008029292-0001	*	7/2020
JP	D1660248	*	5/2020

* cited by examiner

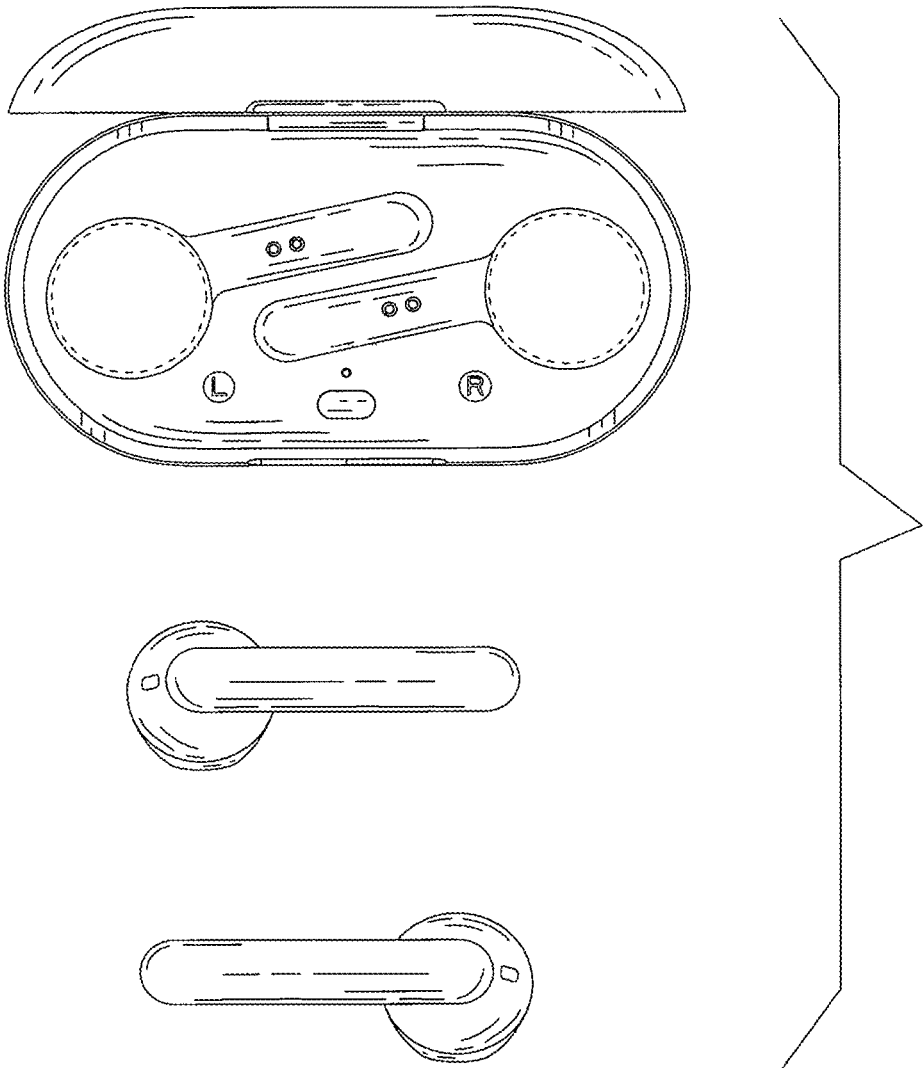


FIG. 1

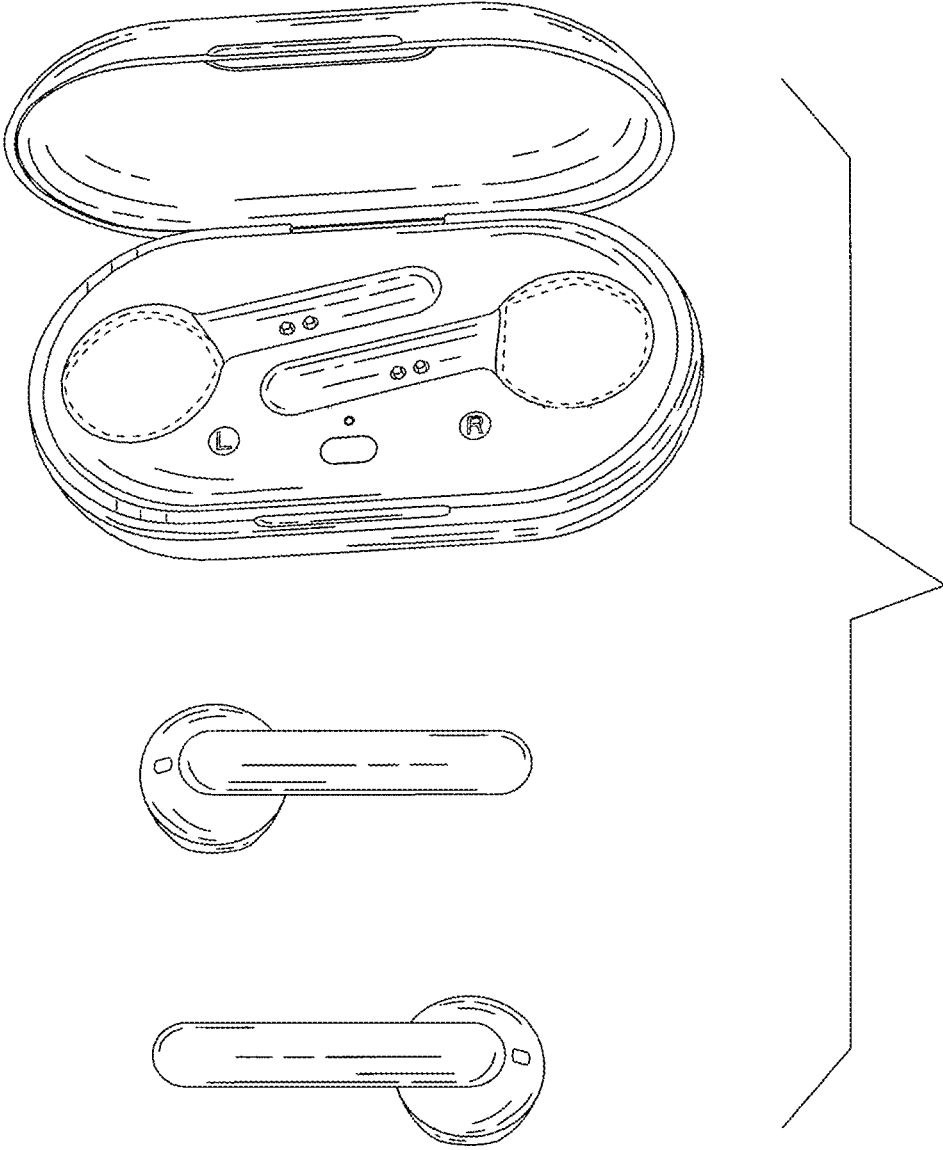


FIG. 2

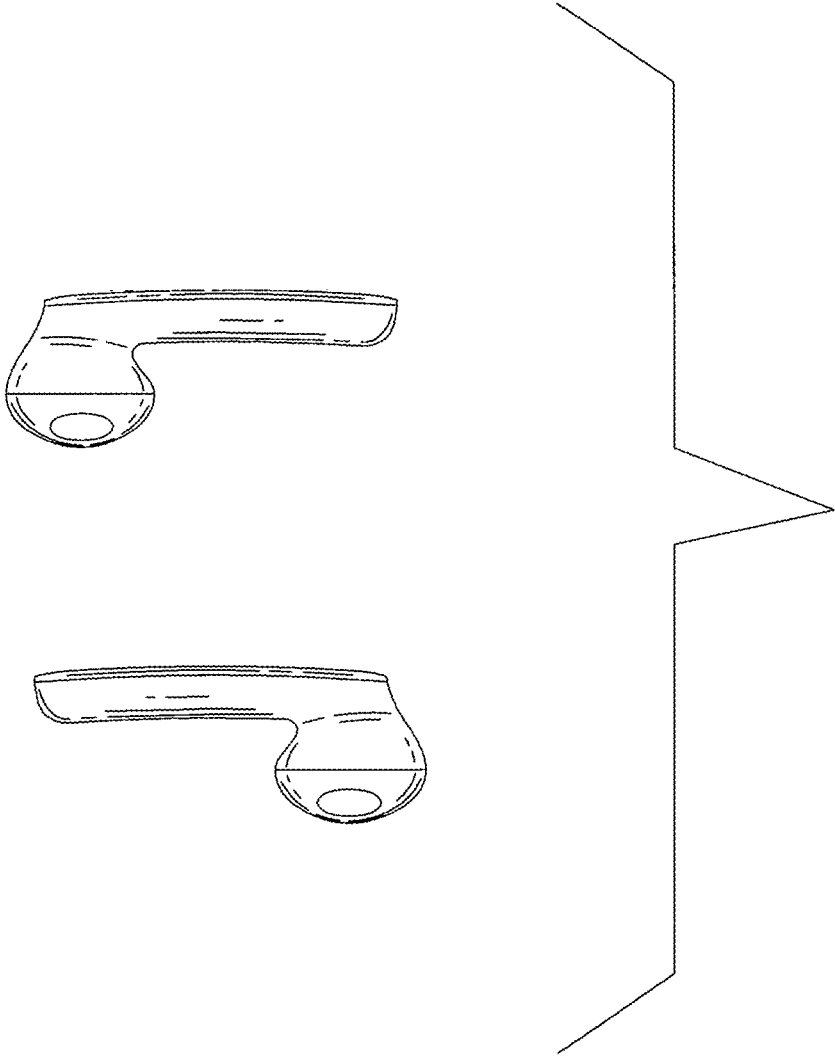


FIG. 3

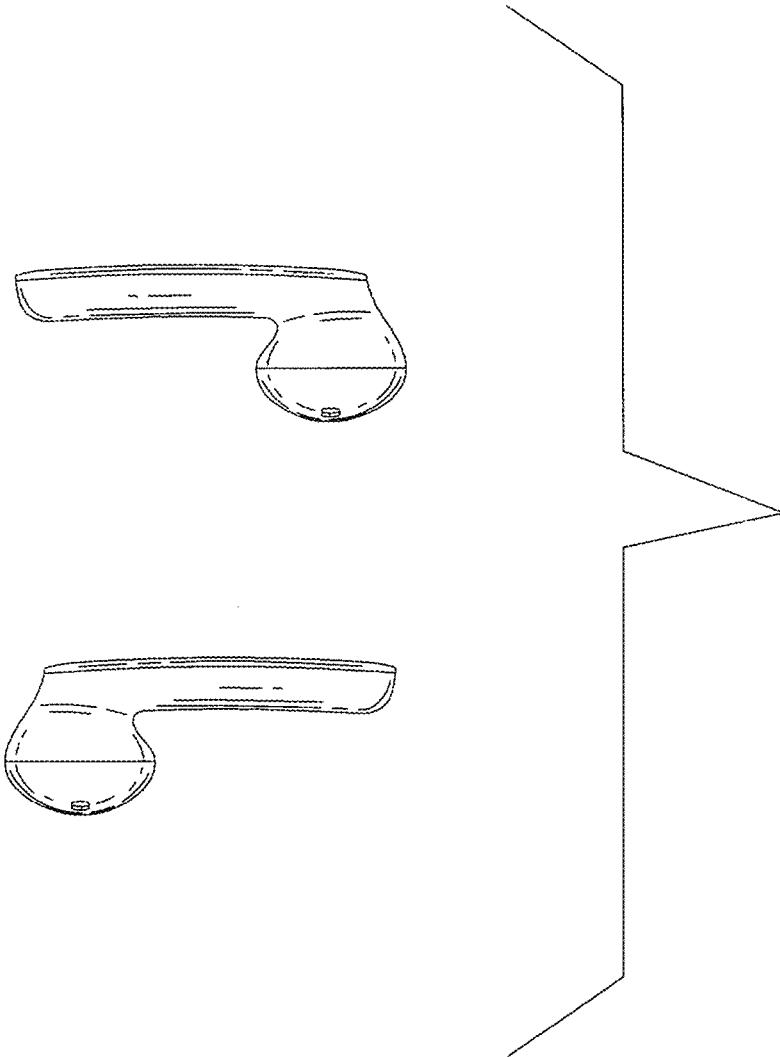


FIG. 4

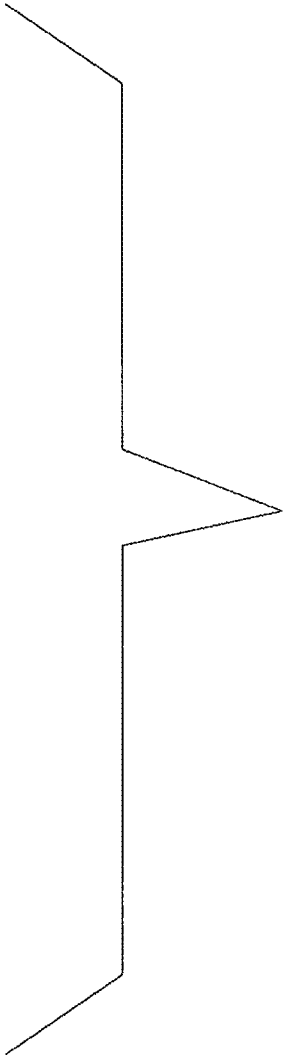


FIG. 5

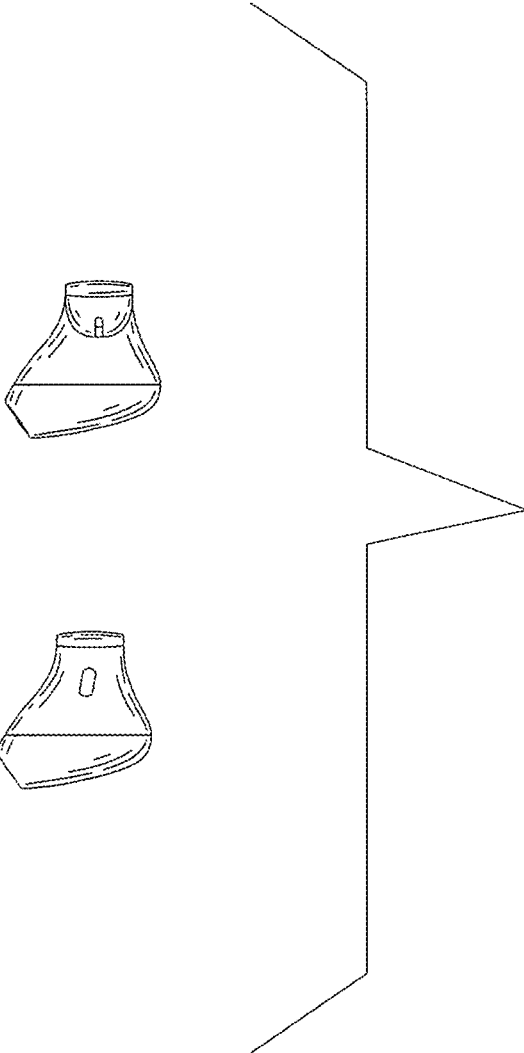


FIG. 6

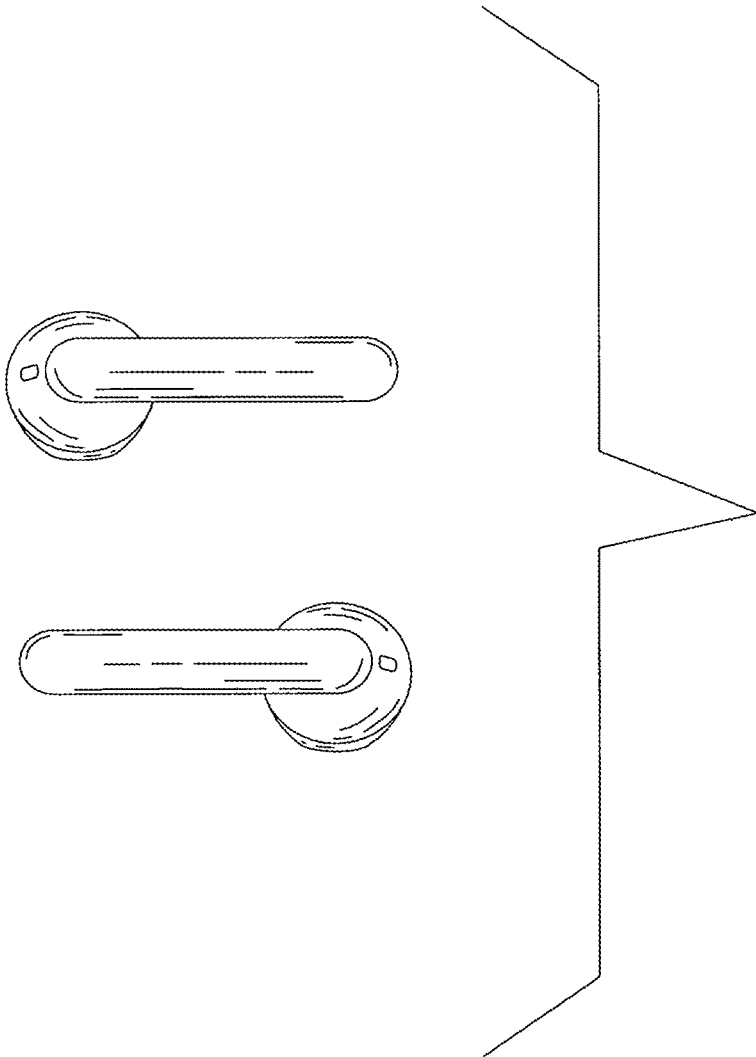


FIG. 7

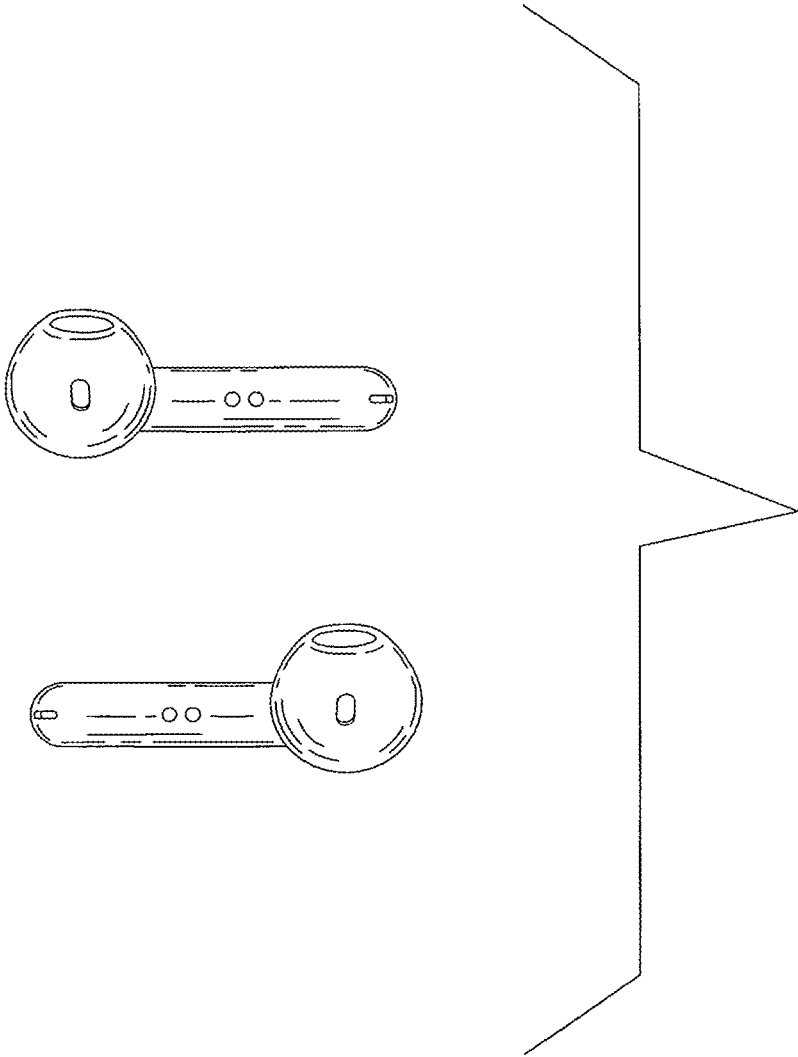


FIG. 8

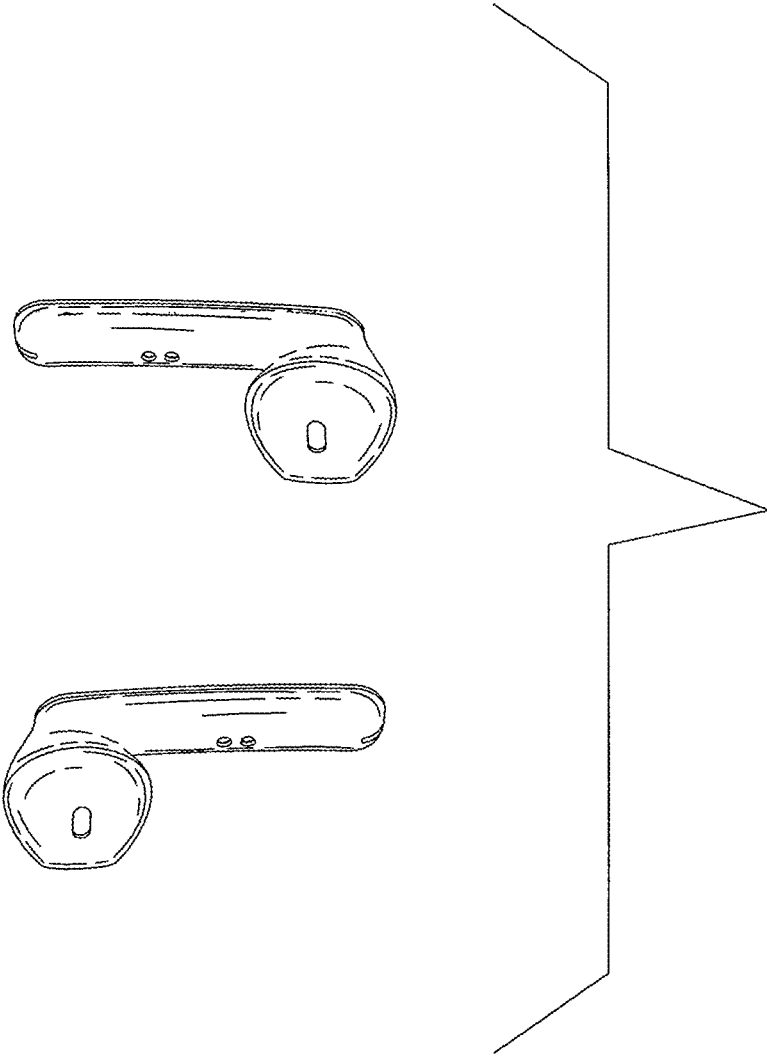


FIG. 9

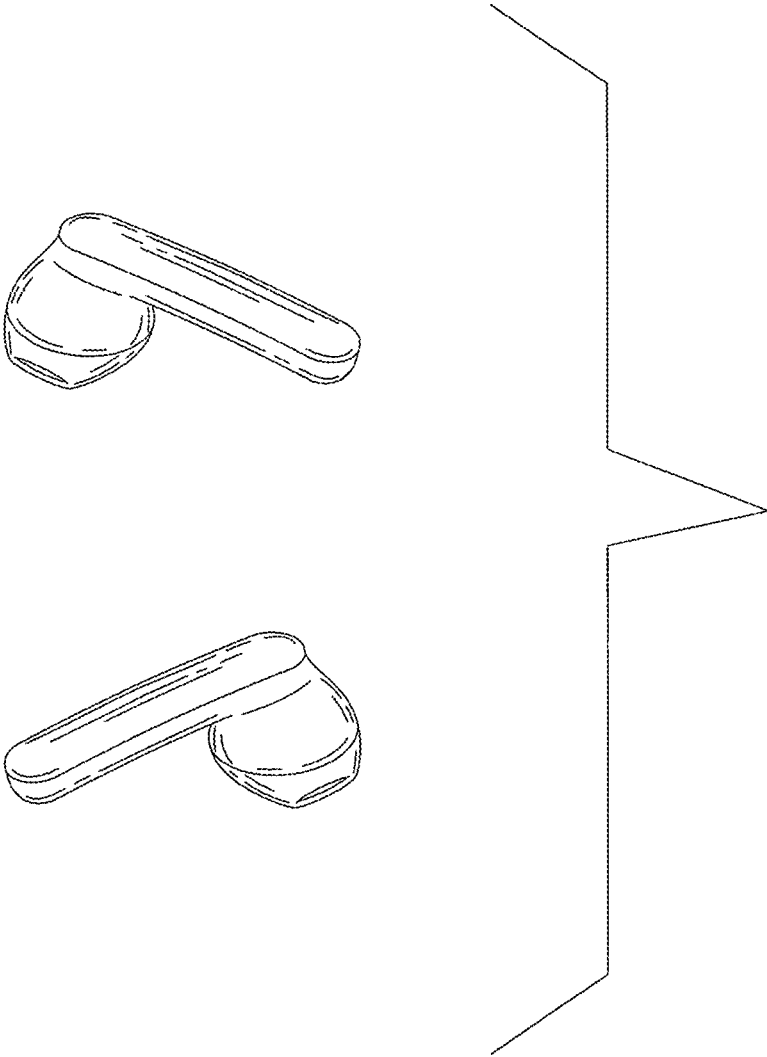


FIG. 10

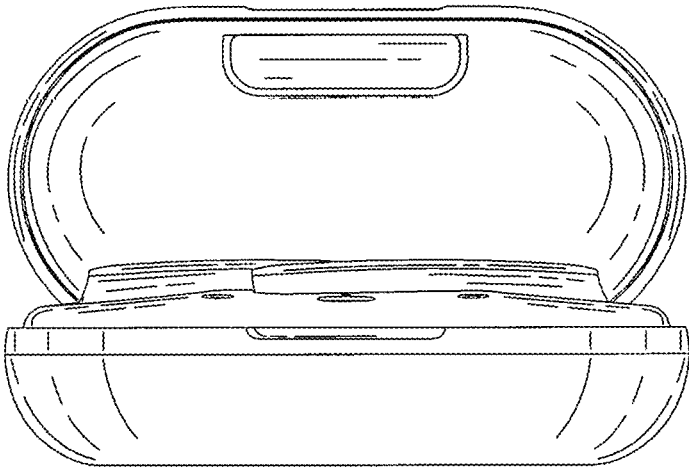


FIG. 11

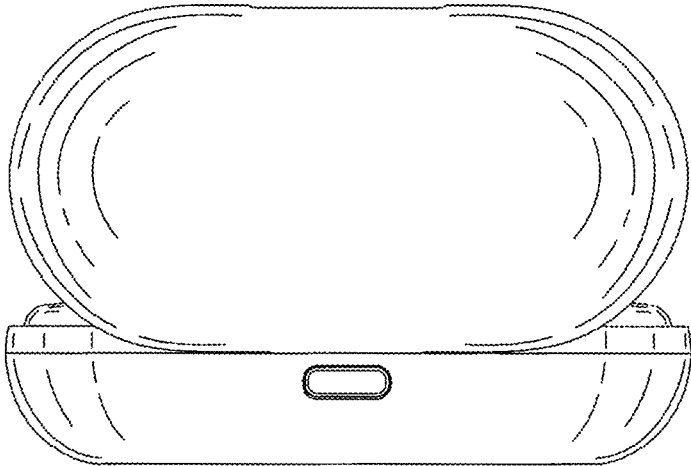


FIG. 12

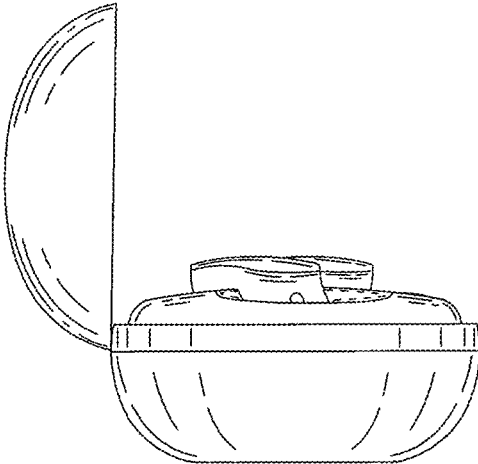


FIG. 13

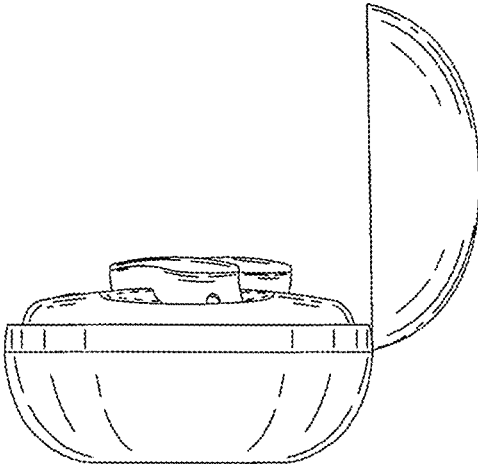


FIG. 14

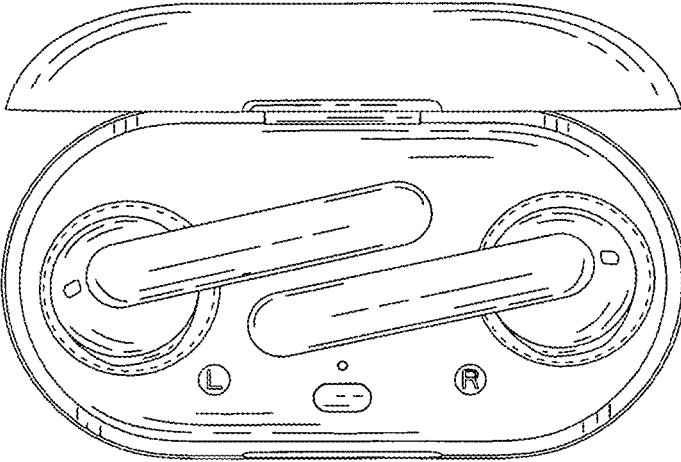


FIG. 15

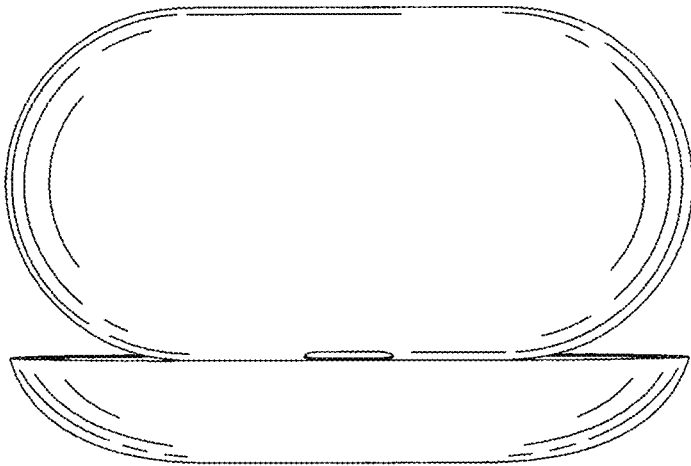


FIG. 16

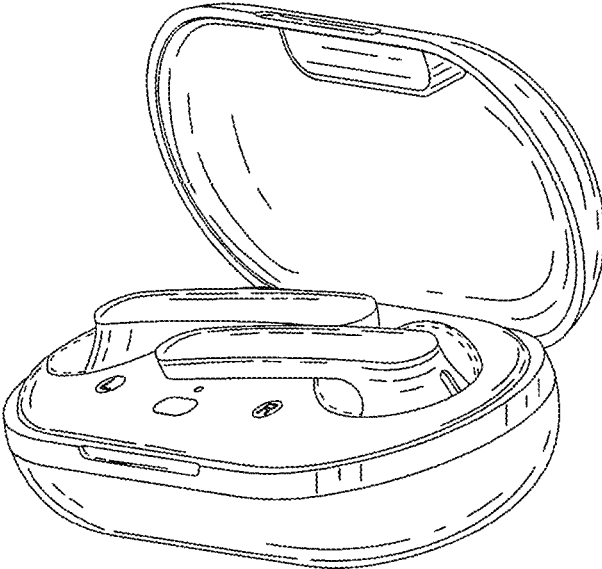


FIG. 17

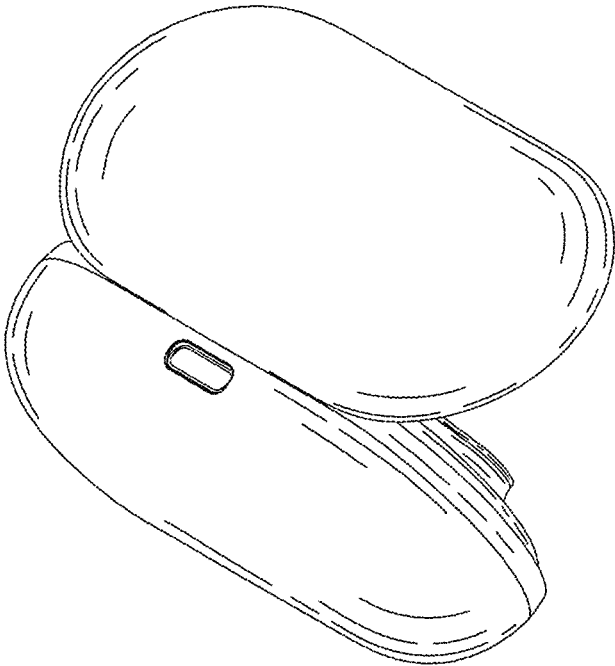


FIG. 18