



US00D916484S

(12) **United States Design Patent**
Yang

(10) **Patent No.:** **US D916,484 S**

(45) **Date of Patent:** **** Apr. 20, 2021**

- (54) **PACKING BOX FOR TRASH BAG**
- (71) Applicant: **Weihong Yang**, Huizhou (CN)
- (72) Inventor: **Weihong Yang**, Huizhou (CN)
- (73) Assignee: **Weihong Yang**
- (**) Term: **15 Years**
- (21) Appl. No.: **29/694,692**

| | | | |
|-------------------|---------|-------------|-----------------------|
| D705,566 S | 5/2014 | Morand | |
| D705,567 S | 5/2014 | Morand | |
| D705,568 S | 5/2014 | Morand | |
| D706,055 S | 6/2014 | Morand | |
| D795,606 S * | 8/2017 | Cudworth | D6/515 |
| D808,680 S | 1/2018 | Dunn et al. | |
| 10,435,235 B2 * | 10/2019 | Dunn | B65F 1/0006 |
| D891,811 S * | 8/2020 | Cheung | D6/515 |
| 2016/0060025 A1 * | 3/2016 | Dunn | B65F 1/062 206/409 |
| 2016/0244256 A1 | 8/2016 | Morand | |

- (22) Filed: **Jun. 12, 2019**
- (51) **LOC (13) Cl.** **20-02**
- (52) **U.S. Cl.**
USPC **D6/515**
- (58) **Field of Classification Search**
USPC D6/515, 518; D7/354, 357, 359, 677;
D34/10; 53/549, 567, 576; 206/303,
206/390, 397, 409; D32/37
CPC .. B65F 2240/132; B65F 1/062; B65F 1/0006;
B65F 1/06; B65F 1/16; B65F 2210/167;
B65F 1/1646; B32B 2439/46; A41B
2400/52; B65B 67/1277; B65B 9/20;
B65B 67/1266; B65B 43/267
See application file for complete search history.

FOREIGN PATENT DOCUMENTS

CA 2930991 C 6/2017

* cited by examiner

Primary Examiner — Mark Booker

(74) *Attorney, Agent, or Firm* — Timothy T. Wang; Ni, Wang & Massand, PLLC

(57) **CLAIM**

The ornamental design for a packing box for trash bag, as shown and described.

DESCRIPTION

FIG. 1 is an exploded front perspective view of a packing box for trash bag showing my new design; FIG. 2 is an exploded right side view thereof; FIG. 3 is an exploded left side view thereof; FIG. 4 is a top view thereof; and, FIG. 5 is a bottom view thereof.

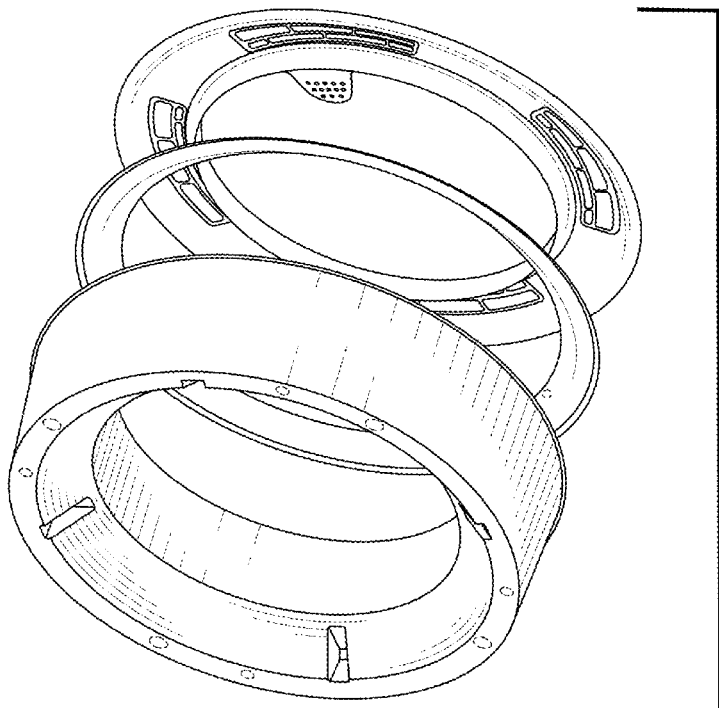
The broken lines shown in the figures represent portions of the packing box for trash bag that form no part of the claimed design.

1 Claim, 5 Drawing Sheets

(56) **References Cited**

U.S. PATENT DOCUMENTS

| | | | |
|--------------|---------|---------|--------|
| D615,786 S * | 5/2010 | Morand | D6/515 |
| D664,386 S * | 7/2012 | Ohnishi | D6/515 |
| D695,541 S | 12/2013 | Dunn | |
| D700,788 S | 3/2014 | Morand | |
| D700,789 S * | 3/2014 | Morand | D6/515 |
| D701,056 S | 3/2014 | Morand | |



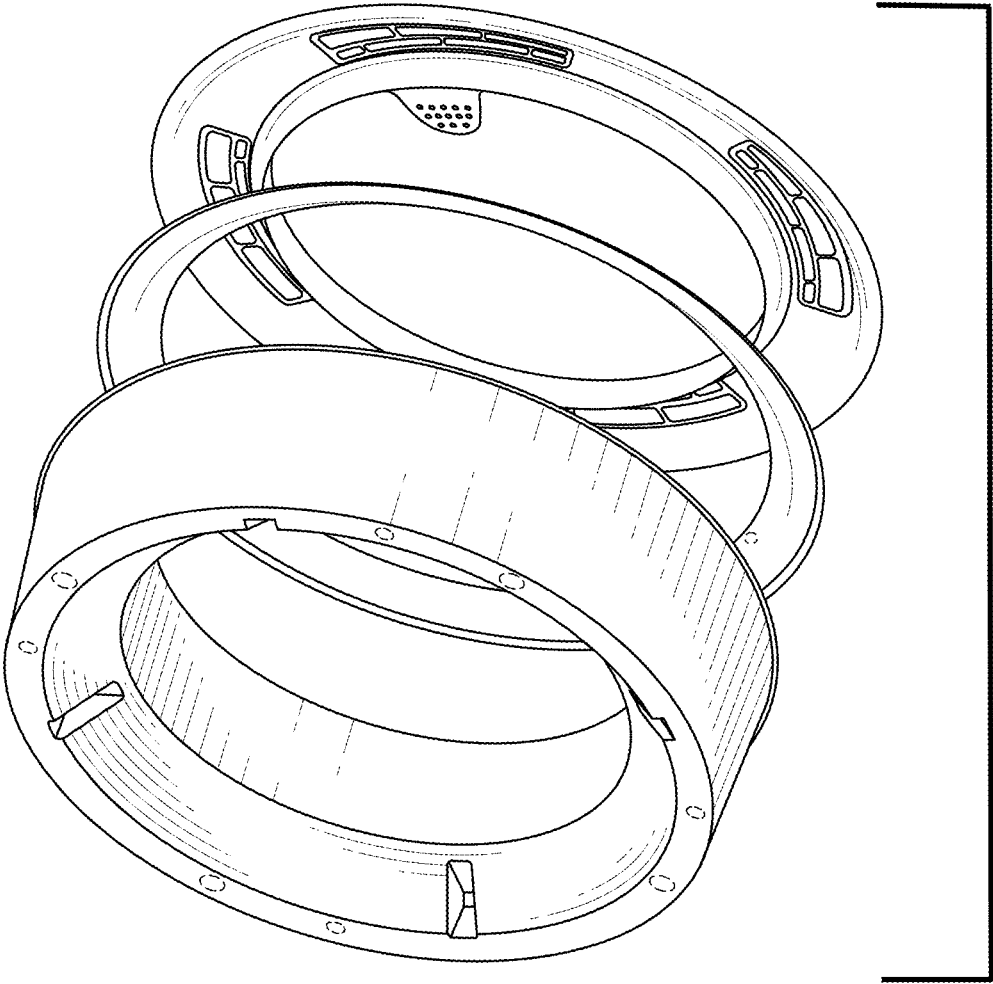


FIG. 1

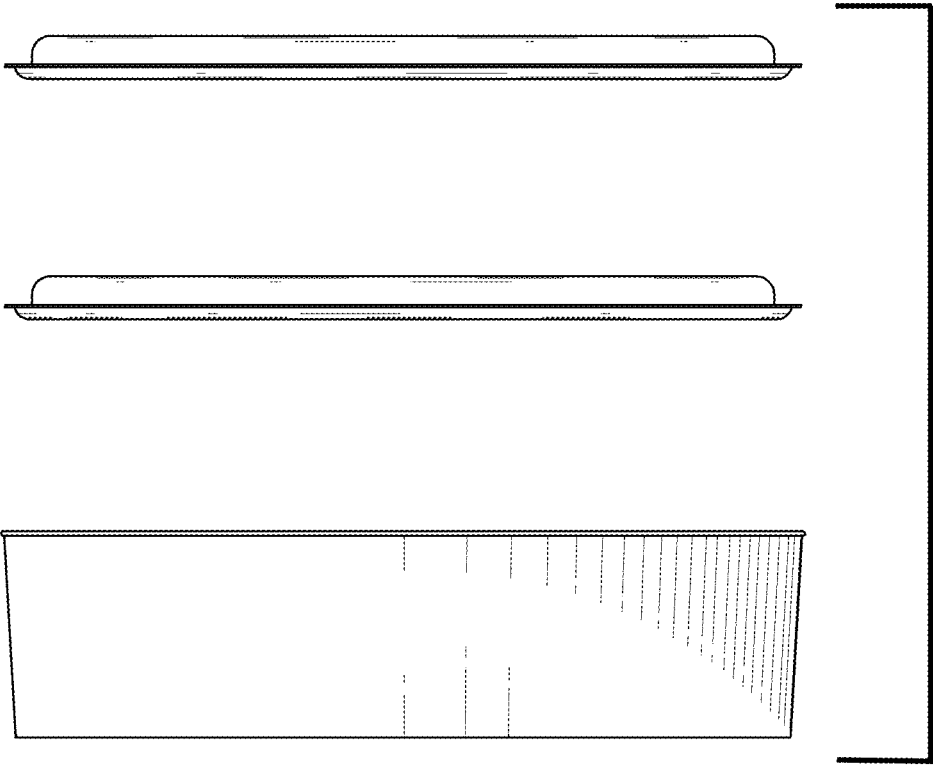


FIG. 2

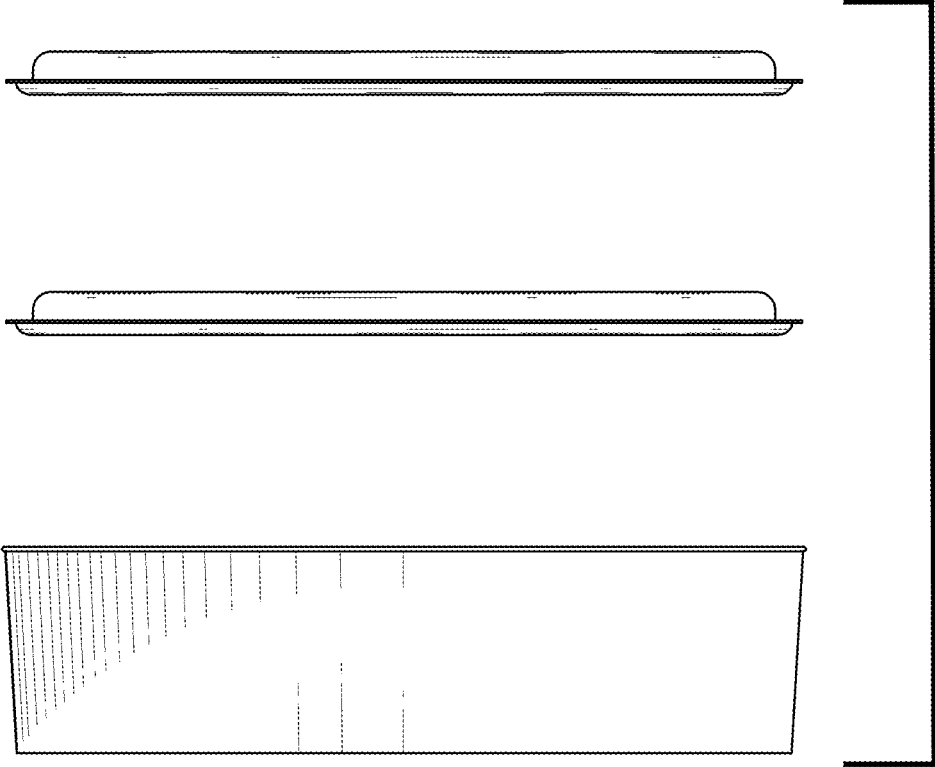


FIG. 3

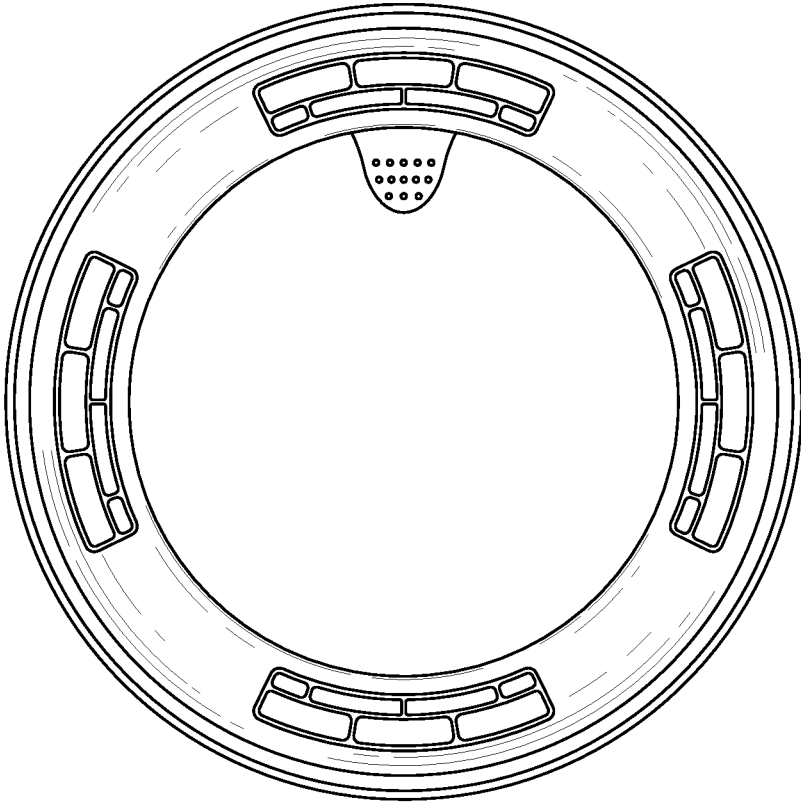


FIG. 4

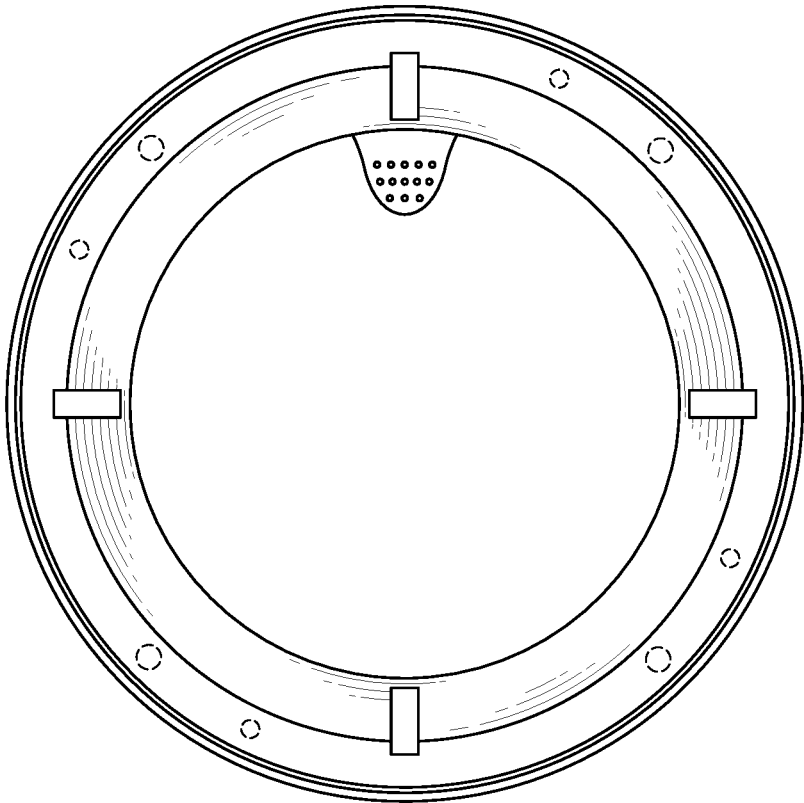


FIG. 5