

(19) World Intellectual Property Organization
International Bureau



(43) International Publication Date
27 October 2005 (27.10.2005)

PCT

(10) International Publication Number
WO 2005/100845 A3

- (51) International Patent Classification:
F17C 7/00 (2006.01) F17C 13/08 (2006.01)
F17C 13/02 (2006.01)
- (21) International Application Number:
PCT/US2005/011719
- (22) International Filing Date: 5 April 2005 (05.04.2005)
- (25) Filing Language: English
- (26) Publication Language: English
- (30) Priority Data:
10/708,992 6 April 2004 (06.04.2004) US
- (71) Applicant (for all designated States except US): PRO-
TON ENERGY SYSTEMS, INC. [US/US]; 10 Technol-
ogy Drive, Wallingford, CT 06492 (US).
- (71) Applicants and
- (72) Inventors: PORTER, S. [US/US]; 22 Intervale Road,
Burlington, CT 06013 (US). LILLIS, M. [US/US]; 667
Griffin Road, South Windsor, CT 06074 (US). HALTER,
D. [US/US]; 14 Foxridge Road, West Hartford, CT 06107
(US). SHIROMA, I. [US/US]; 8E Robinson Road, Rocky
Hill, CT 06067 (US). NOMIKOS, S. [US/US]; 503 North
Pine Island Road, Plantation, FL 33324 (US).

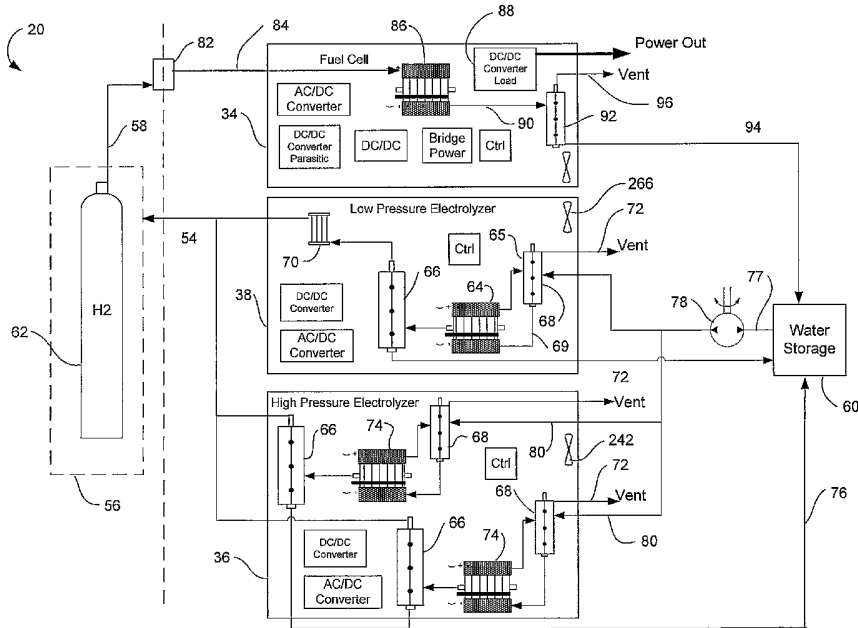
- (74) Agent: CHRISTENSEN, D.; 10 Technology Drive,
Wallingford, CT 06492 (US).
- (81) Designated States (unless otherwise indicated, for every
kind of national protection available): AE, AG, AL, AM,
AT, AU, AZ, BA, BB, BG, BR, BW, BY, BZ, CA, CH, CN,
CO, CR, CU, CZ, DE, DK, DM, DZ, EC, EE, EG, ES, FI,
GB, GD, GE, GH, GM, HR, HU, ID, IL, IN, IS, JP, KE,
KG, KM, KP, KR, KZ, LC, LK, LR, LS, LT, LU, LV, MA,
MD, MG, MK, MN, MW, MX, MY, NA, NI, NO, NZ, OM,
PG, PH, PL, PT, RO, RU, SC, SD, SE, SG, SK, SL, SM,
SY, TJ, TM, TN, TR, TT, TZ, UA, UG, US, UZ, VC, VN,
YU, ZA, ZM, ZW.
- (84) Designated States (unless otherwise indicated, for every
kind of regional protection available): ARIPO (BW, GH,
GM, KE, LS, MW, MZ, NA, SD, SL, SZ, TZ, UG, ZM,
ZW), Eurasian (AM, AZ, BY, KG, KZ, MD, RU, TJ, TM),
European (AT, BE, BG, CH, CY, CZ, DE, DK, EE, ES, FI,
FR, GB, GR, HU, IE, IS, IT, LT, LU, MC, NL, PL, PT, RO,
SE, SI, SK, TR), OAPI (BF, BJ, CF, CG, CI, CM, GA, GN,
GQ, GW, ML, MR, NE, SN, TD, TG).

Declaration under Rule 4.17:

— as to applicant's entitlement to apply for and be granted a
patent (Rule 4.17(ii)) for all designations

[Continued on next page]

(54) Title: SPRAY NOZZLE WITH ALIGNMENT KEY FOR ASYMMETRICAL SPRAY PATTERN



(57) Abstract: A regenerative fuel cell system is provided having at least one hydrogen storage container fluidly coupled to at least one hydrogen generator and at least one power generator. Each power generator further includes a fuel cell fluidly coupled to the hydrogen storage container, an electric energy storage device, and an unregulated dc bus electrically connected to said fuel cell and said electric storage device. The system further provides for a health monitoring system for determining the occurrence of critical events which may necessitate the disabling of the system.

WO 2005/100845 A3



Published:

- *with international search report*
- *before the expiration of the time limit for amending the claims and to be republished in the event of receipt of amendments*

For two-letter codes and other abbreviations, refer to the "Guidance Notes on Codes and Abbreviations" appearing at the beginning of each regular issue of the PCT Gazette.

(88) Date of publication of the international search report:

26 January 2006

INTERNATIONAL SEARCH REPORT

International Application No
PCT/US2005/011719

A. CLASSIFICATION OF SUBJECT MATTER
 F17C7/00 F17C13/02 F17C13/08

According to International Patent Classification (IPC) or to both national classification and IPC

B. FIELDS SEARCHED
 Minimum documentation searched (classification system followed by classification symbols)
 F17C

Documentation searched other than minimum documentation to the extent that such documents are included in the fields searched

Electronic data base consulted during the international search (name of data base and, where practical, search terms used)
 EPO-Internal

C. DOCUMENTS CONSIDERED TO BE RELEVANT

Category °	Citation of document, with indication, where appropriate, of the relevant passages	Relevant to claim No.
X	US 5 323 752 A (VON HERRMANN ET AL) 28 June 1994 (1994-06-28) the whole document	1-5
X	EP 1 398 603 A (AIR PRODUCTS AND CHEMICALS, INC) 17 March 2004 (2004-03-17) the whole document	1-4
X	FR 2 841 890 A (L'AIR LIQUIDE SOCIETE ANONYME POUR L'ETUDE ET L'EXPLOITATION DES PROCE) 9 January 2004 (2004-01-09) the whole document	1-5
X	EP 1 146 277 A (L'AIR LIQUIDE, S.A. A DIRECTOIRE ET CONSEIL DE SURVEILLANCE POUR L'ETU) 17 October 2001 (2001-10-17) the whole document	1-5
	----- -/--	

Further documents are listed in the continuation of box C. Patent family members are listed in annex.

° Special categories of cited documents :

<p>"A" document defining the general state of the art which is not considered to be of particular relevance</p> <p>"E" earlier document but published on or after the international filing date</p> <p>"L" document which may throw doubts on priority claim(s) or which is cited to establish the publication date of another citation or other special reason (as specified)</p> <p>"O" document referring to an oral disclosure, use, exhibition or other means</p> <p>"P" document published prior to the international filing date but later than the priority date claimed</p>	<p>"T" later document published after the international filing date or priority date and not in conflict with the application but cited to understand the principle or theory underlying the invention</p> <p>"X" document of particular relevance; the claimed invention cannot be considered novel or cannot be considered to involve an inventive step when the document is taken alone</p> <p>"Y" document of particular relevance; the claimed invention cannot be considered to involve an inventive step when the document is combined with one or more other such documents, such combination being obvious to a person skilled in the art.</p> <p>"&" document member of the same patent family</p>
--	--

Date of the actual completion of the international search 24 August 2005	Date of mailing of the international search report 02.12.2005
--	---

Name and mailing address of the ISA European Patent Office, P.B. 5818 Patentlaan 2 NL - 2280 HV Rijswijk Tel. (+31-70) 340-2040, Tx. 31 651 epo nl, Fax: (+31-70) 340-3016	Authorized officer Nicol, B
--	---

INTERNATIONAL SEARCH REPORT

International Application No
PCT/US2005/011719

C.(Continuation) DOCUMENTS CONSIDERED TO BE RELEVANT		
Category °	Citation of document, with indication, where appropriate, of the relevant passages	Relevant to claim No.
X	US 4 380 242 A (BRESIE ET AL) 19 April 1983 (1983-04-19) the whole document -----	1-5
X	EP 0 255 003 A (FUJITSU LIMITED) 3 February 1988 (1988-02-03) the whole document -----	1-5
X	US 5 884 675 A (KRASNOV ET AL) 23 March 1999 (1999-03-23) the whole document -----	1

INTERNATIONAL SEARCH REPORT

International application No.
PCT/US2005/011719

Box II Observations where certain claims were found unsearchable (Continuation of item 2 of first sheet)

This International Search Report has not been established in respect of certain claims under Article 17(2)(a) for the following reasons:

1. Claims Nos.:
because they relate to subject matter not required to be searched by this Authority, namely:

2. Claims Nos.:
because they relate to parts of the International Application that do not comply with the prescribed requirements to such an extent that no meaningful International Search can be carried out, specifically:

3. Claims Nos.:
because they are dependent claims and are not drafted in accordance with the second and third sentences of Rule 6.4(a).

Box III Observations where unity of invention is lacking (Continuation of item 3 of first sheet)

This International Searching Authority found multiple inventions in this international application, as follows:

see additional sheet

1. As all required additional search fees were timely paid by the applicant, this International Search Report covers all searchable claims.

2. As all searchable claims could be searched without effort justifying an additional fee, this Authority did not invite payment of any additional fee.

3. As only some of the required additional search fees were timely paid by the applicant, this International Search Report covers only those claims for which fees were paid, specifically claims Nos.:

4. No required additional search fees were timely paid by the applicant. Consequently, this International Search Report is restricted to the invention first mentioned in the claims; it is covered by claims Nos.:

1-5

Remark on Protest

- The additional search fees were accompanied by the applicant's protest.
- No protest accompanied the payment of additional search fees.

FURTHER INFORMATION CONTINUED FROM PCT/ISA/ 210

This International Searching Authority found multiple (groups of) inventions in this international application, as follows:

1. claims: 1-5

A method for operating a high pressure gas storage system comprising the steps of opening a first valve on a first high pressure gas storage container, releasing gas from said first storage container, closing said first valve in response to a predetermined operating parameter, opening a second valve on a second high pressure gas storage container, releasing gas from said second storage container, closing said second valve in response to said predetermined operating parameter.

2. claims: 6-10

A method for determining the health of a first and second pressure transducer said method comprising the steps of measuring a first pressure of gas at a first pressure transducer, measuring a second pressure of gas at a second pressure transducer, and creating a signal if the difference between said first pressure and said second pressure is greater than a predetermined amount.

INTERNATIONAL SEARCH REPORT

Information on patent family members

International Application No PCT/US2005/011719

Patent document cited in search report	A	Publication date	Patent family member(s)	Publication date
US 5323752	A	28-06-1994	NONE	
EP 1398603	A	17-03-2004	US 6708573 B1	23-03-2004
FR 2841890	A	09-01-2004	AU 2003269007 A1 WO 2004005792 A1	23-01-2004 15-01-2004
EP 1146277	A	17-10-2001	JP 2001295994 A	26-10-2001
US 4380242	A	19-04-1983	NONE	
EP 0255003	A	03-02-1988	DE 3773575 D1 JP 1796983 C JP 5004560 B JP 63026500 A KR 9007465 B1 US 4744384 A	14-11-1991 28-10-1993 20-01-1993 04-02-1988 10-10-1990 17-05-1988
US 5884675	A	23-03-1999	NONE	