



US00D725302S

(12) **United States Design Patent**
Popper et al.

(10) **Patent No.:** **US D725,302 S**

(45) **Date of Patent:** **** Mar. 24, 2015**

(54) **FLASHLIGHT HEAD**

(75) Inventors: **Richard S. Popper**, Scottsdale, AZ
(US); **Jensen Jorgensen**, Scottsdale, AZ
(US)

(73) Assignee: **XGlow P/T, LLC**, Scottsdale, AZ (US)

(**) Term: **14 Years**

(21) Appl. No.: **29/429,225**

(22) Filed: **Aug. 8, 2012**

(51) **LOC (10) Cl.** **26-02**

(52) **U.S. Cl.**
USPC **D26/49**

(58) **Field of Classification Search**
USPC D26/37, 38, 39, 46, 49; 362/157, 158,
362/183, 184, 194–196, 202–208

See application file for complete search history.

(56) **References Cited**

U.S. PATENT DOCUMENTS

D544,621	S	*	6/2007	Kim	D26/37
D554,281	S	*	10/2007	Bushee et al.	D26/37
7,278,764	B2	*	10/2007	Kim	362/382
D565,220	S	*	3/2008	Galli	D26/49
D585,577	S	*	1/2009	Bonis	D26/49
D599,928	S	*	9/2009	Shiu	D26/49
D605,319	S	*	12/2009	Devaney et al.	D26/39
D629,541	S	*	12/2010	Riley	D26/49

D644,365	S	*	8/2011	Yuen	D26/49
D646,008	S	*	9/2011	Couture	D26/49
D659,272	S	*	5/2012	Nguyen et al.	D26/49
D659,869	S	*	5/2012	Prieto	D26/49
D660,488	S	*	5/2012	Ye	D26/49
D680,251	S	*	4/2013	Stewart	D26/49
D685,939	S	*	7/2013	Cooper	D26/49
D688,827	S	*	8/2013	Popper et al.	D26/118
2008/0291666	A1	*	11/2008	Bushee et al.	362/206

* cited by examiner

Primary Examiner — Ian Simmons

Assistant Examiner — Carissa C Fitts

(74) *Attorney, Agent, or Firm* — Stephen C. Beuerle;
Procopio Cory Hargreaves & Savitch LLP

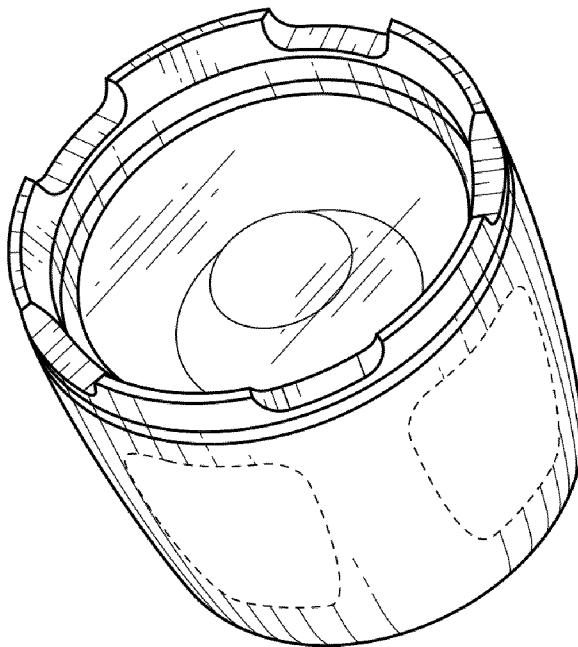
(57) **CLAIM**

The ornamental design for a flashlight head, as shown and described.

DESCRIPTION

FIG. 1 is a perspective view of the flashlight head;
FIG. 2 is a front elevational view of the flashlight head;
FIG. 3 is a rear elevational view of the flashlight head;
FIG. 4 is a right side elevational view of the flashlight head;
FIG. 5 is a left side elevational view of the flashlight head;
FIG. 6 is a top plan view of the flashlight head; and,
FIG. 7 is a bottom plan view of the flashlight head.
The broken line showing forms no part of the claimed design.

1 Claim, 2 Drawing Sheets



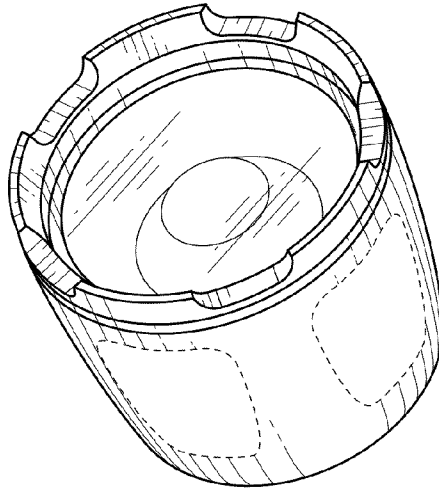


FIG. 1

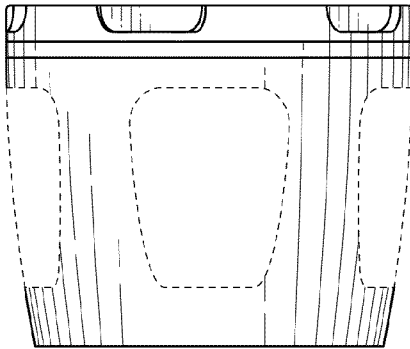


FIG. 2

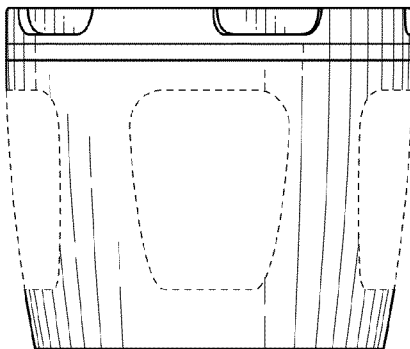


FIG. 3

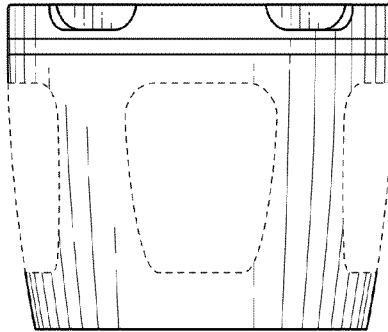


FIG. 4

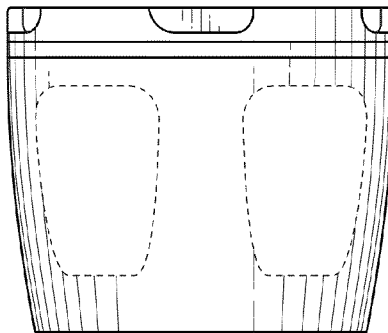


FIG. 5

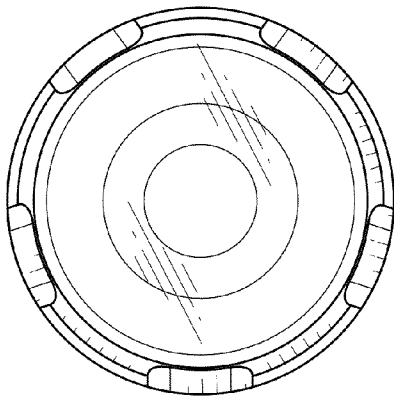


FIG. 6

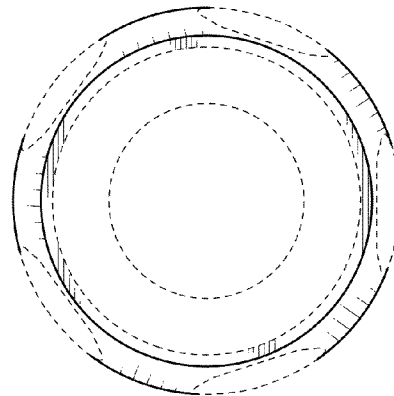


FIG. 7