



(12) **United States Design Patent**
Zheng

(10) **Patent No.:** **US D597,070 S**
(45) **Date of Patent:** **** Jul. 28, 2009**

(54) **HEADPHONE**

(75) Inventor: **Qi Zheng**, Tokyo (JP)

(73) Assignee: **Sony Corporation**, Tokyo (JP)

(**) Term: **14 Years**

(21) Appl. No.: **29/309,836**

(22) Filed: **Oct. 23, 2008**

(30) **Foreign Application Priority Data**

Apr. 24, 2008 (JP) 2008-010583

(51) **LOC (9) Cl.** **14-01**

(52) **U.S. Cl.** **D14/205**

(58) **Field of Classification Search** D14/205,
D14/206, 223; 181/18, 129, 130; 379/430,
379/431, 433; 381/74, 370, 375, 376, 377,
381/378, 379, 380, 381; 2/209; D29/112;
455/575.2

See application file for complete search history.

(56) **References Cited**

U.S. PATENT DOCUMENTS

4,409,442	A *	10/1983	Kamimura	381/383
4,472,607	A *	9/1984	Houng	181/18
D328,074	S *	7/1992	Yamazaki et al.	D14/205
D337,115	S *	7/1993	Yamazaki et al.	D14/205
D353,818	S *	12/1994	Nakamura	D14/205
5,406,037	A *	4/1995	Nageno et al.	181/129
5,640,458	A *	6/1997	Nishiguchi et al.	381/74
D405,449	S *	2/1999	Nakamura et al.	D14/205

5,887,286	A *	3/1999	Waldron	2/209
D431,550	S	10/2000	Yoneda	
D484,485	S *	12/2003	Matsuoka	D14/205
D510,335	S *	10/2005	Suzuki	D14/205
D512,708	S *	12/2005	Harris et al.	D14/205
D532,407	S *	11/2006	Motoishi	D14/205
RE40,318	E	5/2008	Yoneda	
D573,581	S *	7/2008	Gondo et al.	D14/205
D585,871	S *	2/2009	Lee	D14/205
D585,872	S *	2/2009	Lee	D14/205
D588,098	S *	3/2009	Kurihara	D14/205
D588,100	S *	3/2009	Densho et al.	D14/205

* cited by examiner

Primary Examiner—Paula Greene

(74) *Attorney, Agent, or Firm*—Rader, Fishman & Grauer, PLLC

(57) **CLAIM**

The ornamental design for headphone, as shown.

DESCRIPTION

FIG. 1 is a perspective view of a headphone showing my new design;

FIG. 2 is a front elevational view thereof;

FIG. 3 is a rear elevational view thereof;

FIG. 4 is a left side elevational view thereof;

FIG. 5 is a right side elevational view thereof;

FIG. 6 is a top plan view thereof; and,

FIG. 7 is a bottom plan view thereof.

1 Claim, 7 Drawing Sheets

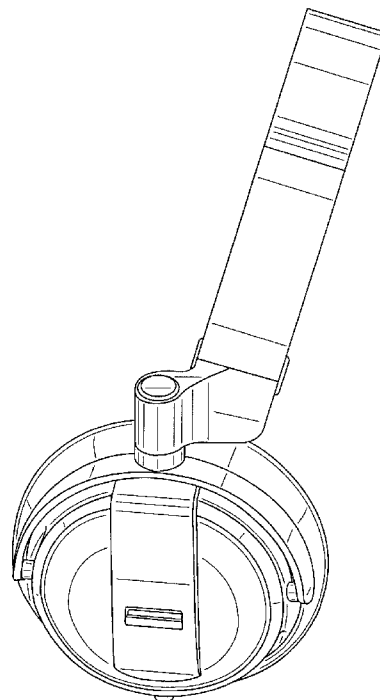
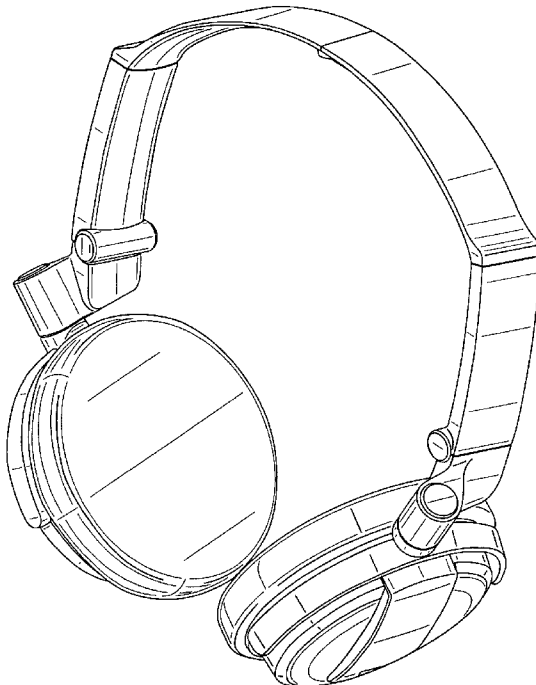


FIG.1

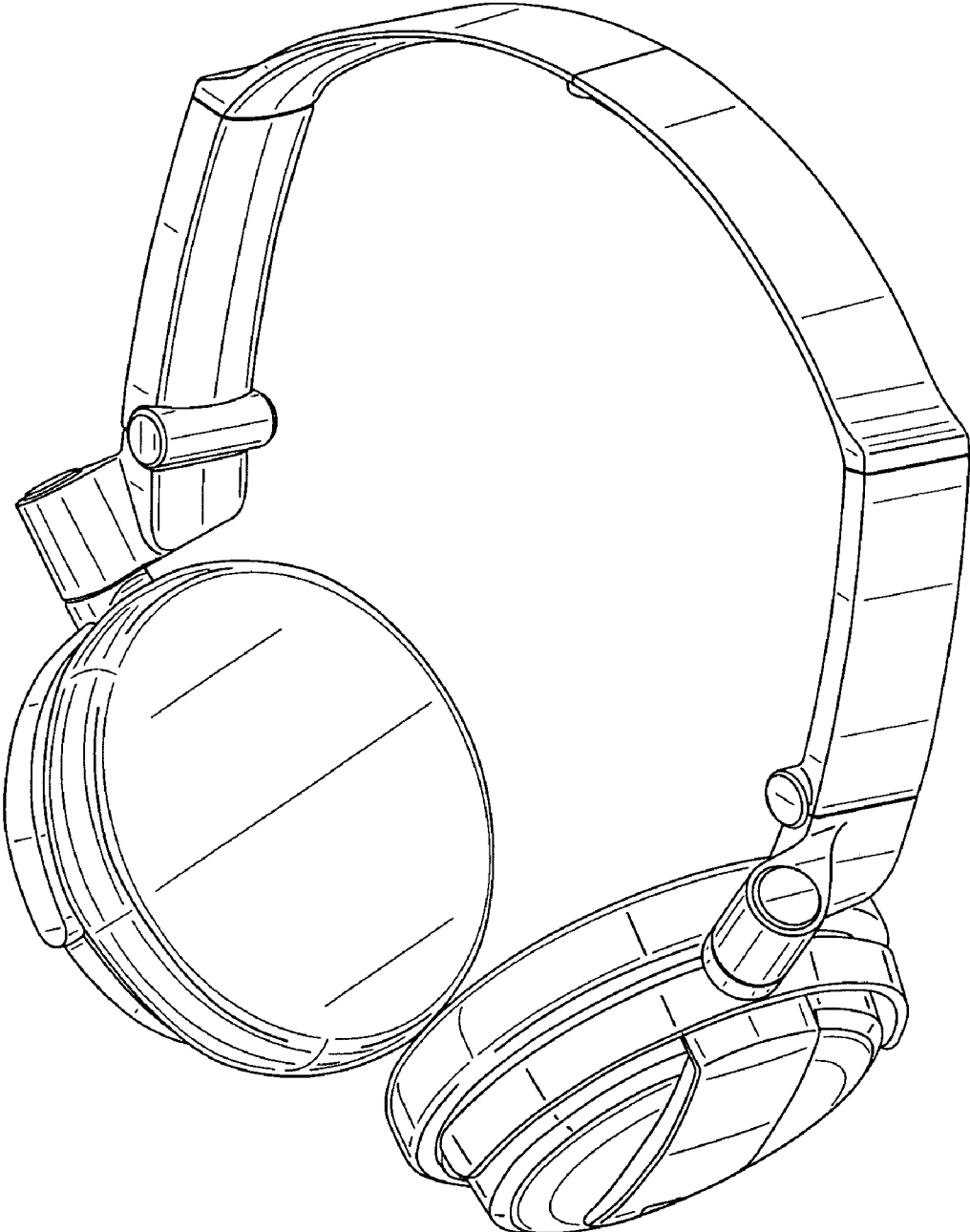


FIG.2



FIG.3



FIG.4

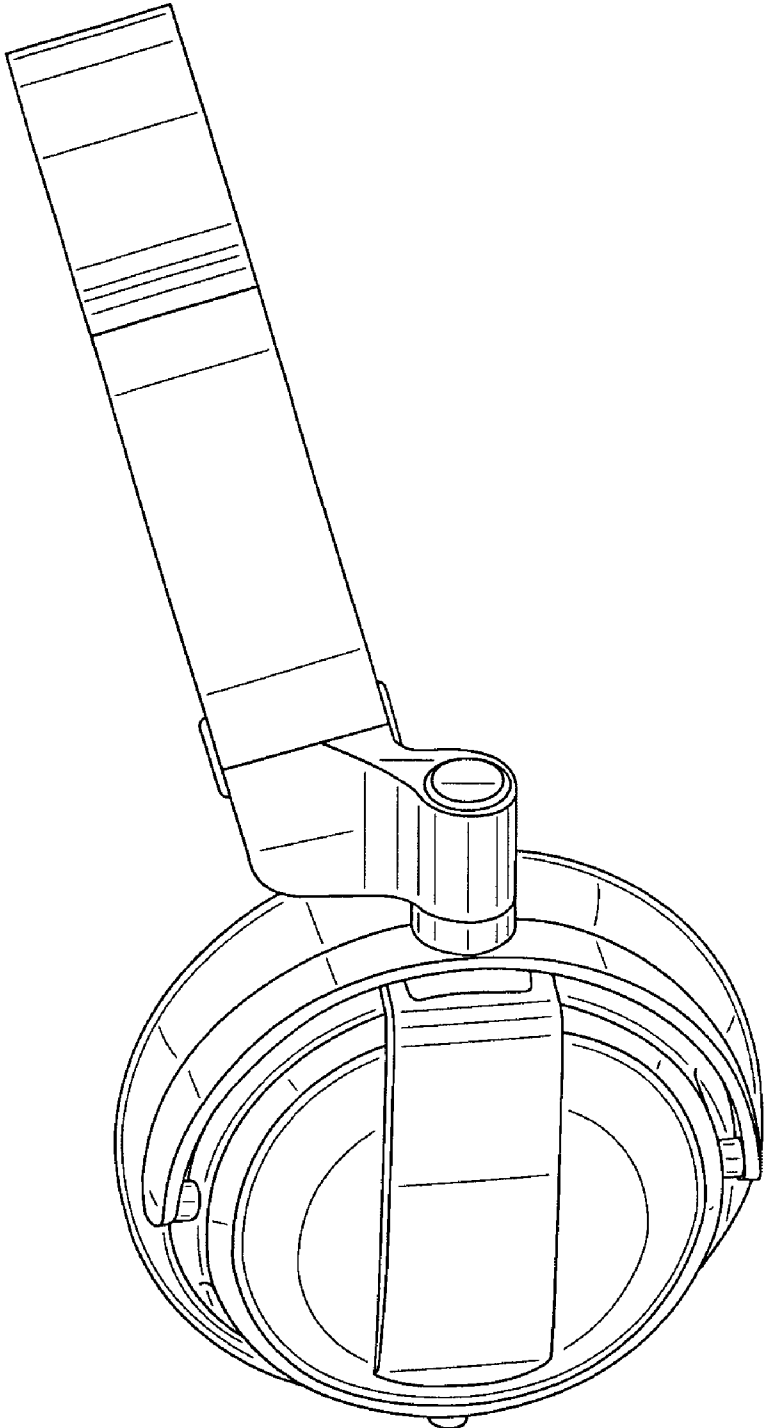


FIG.5

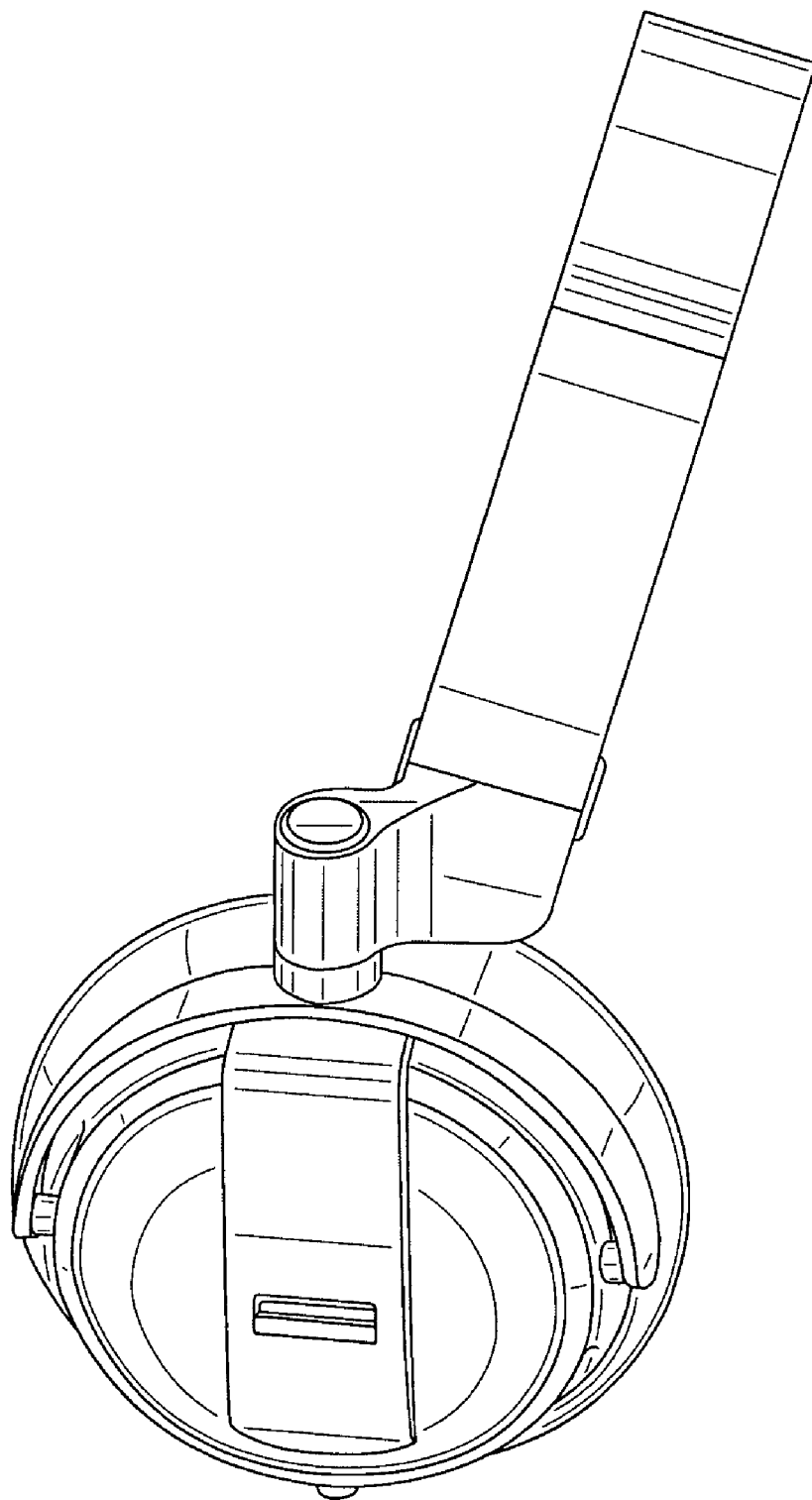


FIG.6

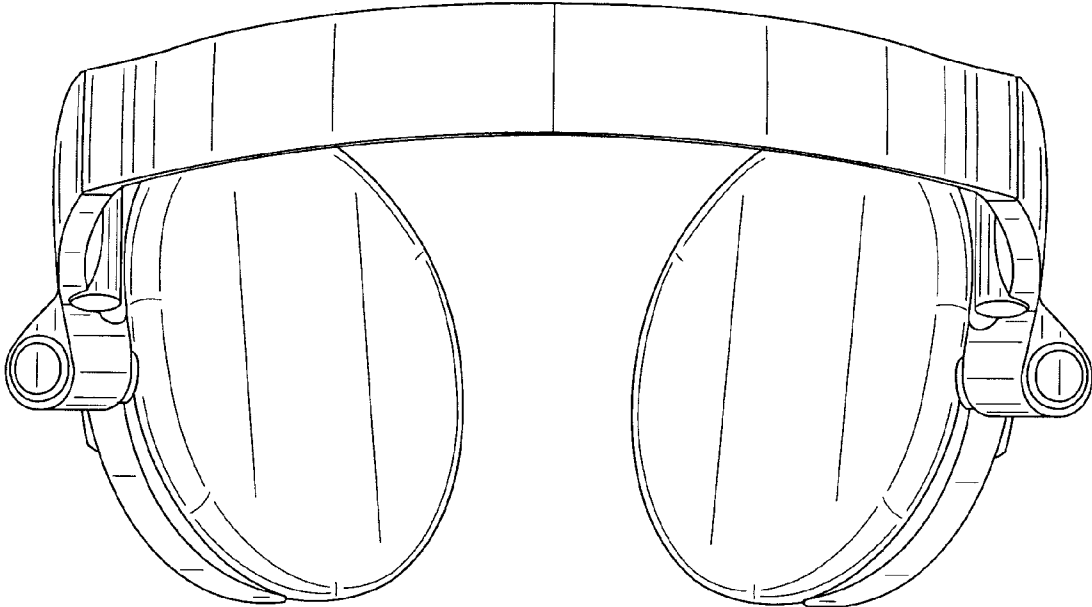


FIG.7

