

(12) INTERNATIONAL APPLICATION PUBLISHED UNDER THE PATENT COOPERATION TREATY (PCT)

(19) World Intellectual Property Organization
International Bureau



(43) International Publication Date
26 June 2003 (26.06.2003)

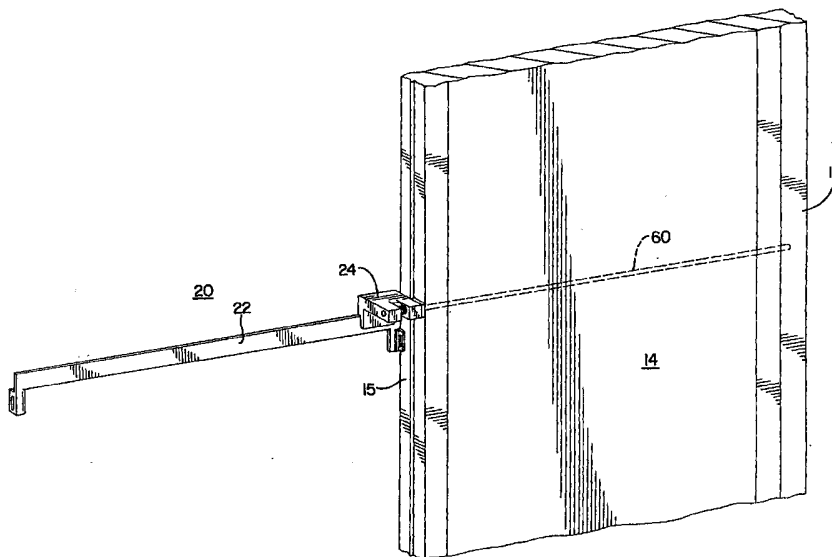
PCT

(10) International Publication Number
WO 03/052226 A3

- (51) International Patent Classification⁷: G06F 9/455 (74) Agents: MORNEAULT, Monique, A. et al.; Wallenstein & Wagner, Ltd., 311 South Wacker Drive - 5300, Chicago, IL 60606 (US).
- (21) International Application Number: PCT/US02/40288
- (22) International Filing Date: 16 December 2002 (16.12.2002) (81) Designated States (national): AE, AG, AL, AM, AT, AU, AZ, BA, BB, BG, BR, BY, BZ, CA, CH, CN, CO, CR, CU, CZ, DE, DK, DM, DZ, EC, EE, ES, FI, GB, GD, GE, GH, GM, HR, HU, ID, IL, IN, IS, JP, KE, KG, KP, KR, KZ, LC, LK, LR, LS, LT, LU, LV, MA, MD, MG, MK, MN, MW, MX, MZ, NO, NZ, OM, PH, PL, PT, RO, RU, SD, SE, SG, SK, SL, TJ, TM, TN, TR, TT, TZ, UA, UG, UZ, VN, YU, ZA, ZM, ZW.
- (25) Filing Language: English
- (26) Publication Language: English
- (30) Priority Data: 60/341,408 14 December 2001 (14.12.2001) US (84) Designated States (regional): ARIPO patent (GH, GM, KE, LS, MW, MZ, SD, SL, SZ, TZ, UG, ZM, ZW), Eurasian patent (AM, AZ, BY, KG, KZ, MD, RU, TJ, TM), European patent (AT, BE, BG, CH, CY, CZ, DE, DK, EE, ES, FI, FR, GB, GR, IE, IT, LU, MC, NL, PT, SE, SI, SK, TR), OAPI patent (BF, BJ, CF, CG, CI, CM, GA, GN, GQ, GW, ML, MR, NE, SN, TD, TG).
- (71) Applicant: RYTEC CORPORATION [US/US]; One Cedar Parkway, P.O. Box 403, Jackson, WI 53037-0403 (US).
- (72) Inventors: DELGADO, Joe, M.; 419 East Monroe Avenue, Hartford, WI 53027 (US). KLEIN, Arno; Meerbrink 30, 31171 Nordstemmen (DE). MUELLER, Louis, B.; 1838 Wicker Laen, Richfield, WI 53076 (US). SEMMANN, Mark; 7002 Pioneer Road, Cedarburg, WI 53012 (US).
- Published:
— with international search report
- (88) Date of publication of the international search report:
24 December 2003

[Continued on next page]

(54) Title: PANEL GUIDE AND IMPACT SEPARATION SYSTEM FOR A SLIDING DOOR



(57) Abstract: A sliding door for selectively opening and closing and opening is disclosed. The door is comprised of a door panel having a top, a bottom, a leading edge and a trailing edge. The door panel translates laterally relative to the opening between a closed position and an open position. The door also includes a guide located proximate the opening and between an upper and lower extent of the opening. The door also has an elongate beam attached to the door panel between the top and the bottom. A first portion of the elongate beam extends generally horizontally along a vertical plane of the door panel, and a second portion of the elongate beam extends away from the leading edge of the door panel, beyond the trailing edge of the door panel and operably engages the guide.



WO 03/052226 A3



For two-letter codes and other abbreviations, refer to the "Guidance Notes on Codes and Abbreviations" appearing at the beginning of each regular issue of the PCT Gazette.

INTERNATIONAL SEARCH REPORT

Intel Application No
PCT/US 02/40288

A. CLASSIFICATION OF SUBJECT MATTER
IPC 7 E06B9/58 E06B3/46

According to International Patent Classification (IPC) or to both national classification and IPC

B. FIELDS SEARCHED

Minimum documentation searched (classification system followed by classification symbols)
IPC 7 E06B E05D

Documentation searched other than minimum documentation to the extent that such documents are included in the fields searched

Electronic data base consulted during the international search (name of data base and, where practical, search terms used)

EPO-Internal, WPI Data

C. DOCUMENTS CONSIDERED TO BE RELEVANT

Category *	Citation of document, with indication, where appropriate, of the relevant passages	Relevant to claim No.
X	DE 298 08 179 U (H. NIEDERBERGER KG) 23 July 1998 (1998-07-23)	1,2
Y	page 7, line 35 -page 8, line 37 ---	3
Y	WO 01 18469 A (RITE HITE HOLDING CORP) 15 March 2001 (2001-03-15) page 5, line 5 ---	3
Y	US 3 348 337 A (GRASSO) 24 October 1967 (1967-10-24) column 2, line 34 -column 2, line 48 ---	3
A	US 5 957 187 A (SCHWINGLE JAMES P ET AL) 28 September 1999 (1999-09-28) column 3, line 38 -column 3, line 67; figure 5 --- -/--	5,21

Further documents are listed in the continuation of box C.

Patent family members are listed in annex.

* Special categories of cited documents :

- "A" document defining the general state of the art which is not considered to be of particular relevance
- "E" earlier document but published on or after the international filing date
- "L" document which may throw doubts on priority claim(s) or which is cited to establish the publication date of another citation or other special reason (as specified)
- "O" document referring to an oral disclosure, use, exhibition or other means
- "P" document published prior to the international filing date but later than the priority date claimed

- "T" later document published after the international filing date or priority date and not in conflict with the application but cited to understand the principle or theory underlying the invention
- "X" document of particular relevance; the claimed invention cannot be considered novel or cannot be considered to involve an inventive step when the document is taken alone
- "Y" document of particular relevance; the claimed invention cannot be considered to involve an inventive step when the document is combined with one or more other such documents, such combination being obvious to a person skilled in the art.
- "&" document member of the same patent family

Date of the actual completion of the international search

27 May 2003

Date of mailing of the international search report

20.06.03

Name and mailing address of the ISA
European Patent Office, P.B. 5818 Patentlaan 2
NL - 2280 HV Rijswijk
Tel. (+31-70) 340-2040, Tx. 31 651 epo nl,
Fax: (+31-70) 340-3016

Authorized officer

Knerr, G

INTERNATIONAL SEARCH REPORT

Int. Patent Application No
PCT/US 02/40288

C.(Continuation) DOCUMENTS CONSIDERED TO BE RELEVANT		
Category *	Citation of document, with indication, where appropriate, of the relevant passages	Relevant to claim No.
A	FR 2 631 072 A (FERMOD) 10 November 1989 (1989-11-10) claim 1; figures 1,3 ---	11
A	DE 27 45 611 A (DAIMLER BENZ AG) 12 April 1979 (1979-04-12) page 4, paragraph 4 -page 5, paragraph 2; figures 3,4 ---	13
A	EP 0 953 708 A (AUTOMATIK-TÜR-SYSTEME) 3 November 1999 (1999-11-03) claim 1 -----	18

INTERNATIONAL SEARCH REPORT

International application No.
PCT/US 02/40288

Box I Observations where certain claims were found unsearchable (Continuation of item 1 of first sheet)

This International Search Report has not been established in respect of certain claims under Article 17(2)(a) for the following reasons:

1. Claims Nos.:
because they relate to subject matter not required to be searched by this Authority, namely:

2. Claims Nos.:
because they relate to parts of the International Application that do not comply with the prescribed requirements to such an extent that no meaningful International Search can be carried out, specifically:

3. Claims Nos.:
because they are dependent claims and are not drafted in accordance with the second and third sentences of Rule 6.4(a).

Box II Observations where unity of invention is lacking (Continuation of item 2 of first sheet)

This International Searching Authority found multiple inventions in this international application, as follows:

see additional sheet

1. As all required additional search fees were timely paid by the applicant, this International Search Report covers all searchable claims.

2. As all searchable claims could be searched without effort justifying an additional fee, this Authority did not invite payment of any additional fee.

3. As only some of the required additional search fees were timely paid by the applicant, this International Search Report covers only those claims for which fees were paid, specifically claims Nos.:

4. No required additional search fees were timely paid by the applicant. Consequently, this International Search Report is restricted to the invention first mentioned in the claims; it is covered by claims Nos.:

Remark on Protest

- The additional search fees were accompanied by the applicant's protest.
- No protest accompanied the payment of additional search fees.

FURTHER INFORMATION CONTINUED FROM PCT/ISA/ 210

This International Searching Authority found multiple (groups of) inventions in this international application, as follows:

1. Claims: 1,2,3,19

Sliding door

1.1. Claims: 1,2,19

Sliding door with elongate beam and guide

1.2. Claims: 1,3

Sliding door, the core of the door panel made from semi-flexible foam.

2. Claims: 1,4-17

Sliding door with elongate beam engaging a guide by means of a guide follower

3. Claims: 1,18

Sliding door with elongate beam engaging a guide, the door comprising a motor and a controller

4. Claims: 20-24

Sliding door with a guide and a guide follower

5. Claims: 25-27

guide follower with retention block and retention tab

Please note that all inventions mentioned under item 1, although not necessarily linked by a common inventive concept, could be searched without effort justifying an additional fee.

INTERNATIONAL SEARCH REPORT

Information on patent family members

International Application No

PCT/US 02/40288

Patent document cited in search report	Classification	Publication date	Patent family member(s)	Publication date
DE 29808179	U	23-07-1998	DE 29808179 U1	23-07-1998
WO 0118469	A	15-03-2001	US 6330763 B1	18-12-2001
			AU 7130900 A	10-04-2001
			BR 0013928 A	23-07-2002
			CA 2384533 A1	15-03-2001
			EP 1210557 A1	05-06-2002
			WO 0118469 A1	15-03-2001
			US 2002017060 A1	14-02-2002
US 3348337	A	24-10-1967	NONE	
US 5957187	A	28-09-1999	US 5638883 A	17-06-1997
			BR 9607593 A	07-07-1998
			CA 2211708 A1	15-08-1996
			DE 69625337 D1	23-01-2003
			EP 1288429 A2	05-03-2003
			EP 0808406 A1	26-11-1997
			WO 9624741 A1	15-08-1996
FR 2631072	A	10-11-1989	FR 2631072 A1	10-11-1989
DE 2745611	A	12-04-1979	DE 2745611 A1	12-04-1979
EP 0953708	A	03-11-1999	DE 29807556 U1	02-06-1999
			EP 0953708 A2	03-11-1999