



(12) **United States Design Patent**
Graham

(10) **Patent No.:** **US D904,937 S**
(45) **Date of Patent:** **** Dec. 15, 2020**

(54) **PATIENT MOVING AID**
(71) Applicant: **Cecelia Graham**, Brooklyn, NY (US)
(72) Inventor: **Cecelia Graham**, Brooklyn, NY (US)
(**) Term: **15 Years**
(21) Appl. No.: **29/743,793**
(22) Filed: **Jul. 24, 2020**
(51) **LOC (12) Cl.** **12-12**
(52) **U.S. Cl.**
USPC **D12/128; D29/124**
(58) **Field of Classification Search**
USPC D29/100, 101.1, 124; D24/190;
D12/128, 133
CPC A61G 1/003; A61G 1/01; A61G 1/013;
A61G 1/042; A61G 1/044; A61G 1/048;
A61G 7/10; A61G 7/1011; A61G 7/1023;
A61G 7/1026; A61G 7/1036; A61G
7/1051; A61G 7/1074; A47G 9/04; A47B
1/00
See application file for complete search history.

5,214,813 A * 6/1993 Gastle A61G 1/01
5/625
D357,492 S * 4/1995 Henry D16/241
5,720,303 A * 2/1998 Richardson A61G 1/01
128/870
5,978,989 A * 11/1999 Chavez A61G 1/01
294/140
6,427,271 B1 * 8/2002 Gadzia A61G 1/01
294/77
6,634,044 B1 * 10/2003 Wright A61G 1/01
5/625
D485,645 S * 1/2004 Mongeon D29/100
(Continued)

OTHER PUBLICATIONS

Patient Aid Portable Stretcher & Gurney with 4 Handles (on-line), reviewed Jul. 22, 2019. Retrieved from Internet Sep. 18, 2020, URL: <https://www.amazon.com/Handled-Patient-Repositioning-Transfer-Aid/dp/B07GVSCD9Z> (3 pages) (Year: 2019).*

(Continued)

Primary Examiner — Kimberly Barnes
(74) *Attorney, Agent, or Firm* — Cramer Patent & Design, PLLC; Aaron R. Cramer

(56) **References Cited**

U.S. PATENT DOCUMENTS

722,456 A * 3/1903 Reeves A61G 1/013
5/627
732,838 A * 7/1903 Edwards A45F 5/10
294/152
2,272,681 A * 2/1942 Smith, Jr. A61G 1/01
24/387
4,180,879 A 1/1980 Mann
4,723,327 A * 2/1988 Smith A61G 7/1026
294/140
4,901,706 A * 2/1990 Schwanke, Jr. A47G 27/0206
126/221
4,938,607 A * 7/1990 Kelley B65D 31/00
190/1
5,150,487 A * 9/1992 Hemphill A61G 1/044
5/625

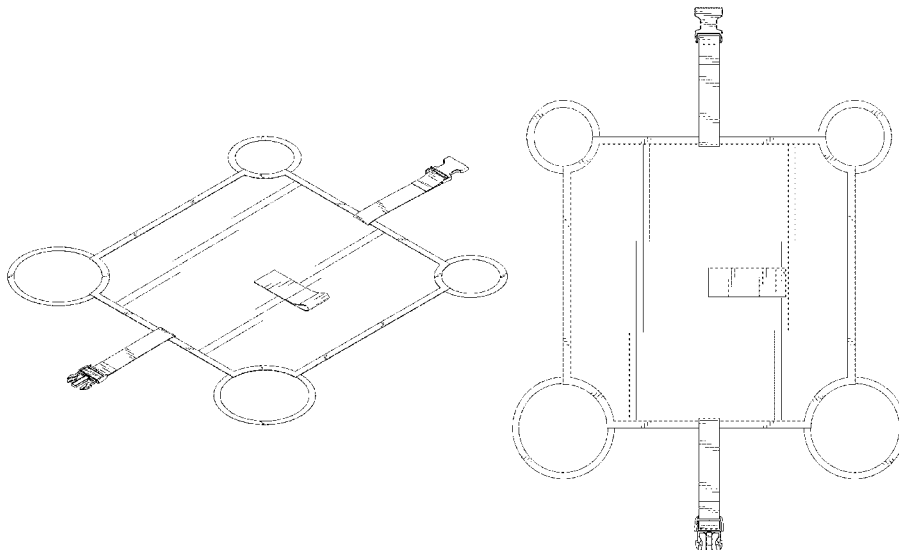
(57) **CLAIM**

The ornamental design for a patient moving aid, as shown and described.

DESCRIPTION

FIG. 1 is a top, front, right perspective view of a patient moving aid, showing my new design; FIG. 2 is a top, rear, left perspective view thereof; FIG. 3 is a front elevation view thereof; FIG. 4 is a rear elevation view thereof; FIG. 5 is a right elevation view thereof; FIG. 6 is a left elevation view thereof; FIG. 7 is a top plan view thereof; and, FIG. 8 is a bottom plan view thereof.

1 Claim, 6 Drawing Sheets



(56)

References Cited

U.S. PATENT DOCUMENTS

6,728,979	B1	5/2004	Robert	
D506,710	S *	6/2005	Hurtado	D12/133
D506,954	S *	7/2005	Lara	D12/133
D508,149	S *	8/2005	Jacobazzi	D29/100
7,726,710	B2 *	6/2010	Handwerker	E04G 21/24 294/215
D665,723	S *	8/2012	Hale	D12/403
8,640,288	B2 *	2/2014	Jensen	A61G 1/01 5/625
8,661,580	B2 *	3/2014	Giap	A61G 7/1051 5/88.1
D715,519	S *	10/2014	Dodd	D2/860
9,480,613	B1 *	11/2016	Lackey	A61G 7/1023
9,675,509	B2	6/2017	Tilk et al.	
9,968,500	B1	5/2018	Amini et al.	
10,071,007	B2	9/2018	Williams et al.	
D848,621	S	5/2019	McGee	
2009/0038076	A1 *	2/2009	Giduck	A61G 1/044 5/627
2013/0195383	A1 *	8/2013	Daug's, Jr.	B65D 51/00 383/12

OTHER PUBLICATIONS

NOVA Waterproof Reusable Underpad with 4 Positioning Strap Handles, 100% Cotton Skin Soft Top Layer, Washable Incontinence Bed & Surface Overlay, Super Absorbent, 32"x36". Product Listing [online]. © 1996-2020, Amazon.com, Inc. [retrieved on Mar. 19, 2020]. Retrieved from the Internet: <URL: https://www.amazon.com/NOVA-Waterproof-Positioning-Incontinence-Absorbent/dp/B01E98LYGW/ref=pd_sbs_121_8?_encoding=UTF8&pd_rd_i=B01E98LYGW&pd_rd_r=8b4126c3-096f-4c3f-, 8 pages.

Patient Aid Positioning Sheet with Handles | for Patient Transfers, Turning and Repositioning in Beds | for Hospitals & Home Care | Assist Moving Elderly and Disabled Patients | 400lb Capacity. Product Listing [online]. © 1996-2020, Amazon.com, Inc. [retrieved on Mar. 19, 2020]. Retrieved from the Internet: <URL: <https://www.amazon.com/Patient-Positioning-Aid-Transfers-Repositioning/dp/B07C92T11V>>, 9 pages.

* cited by examiner

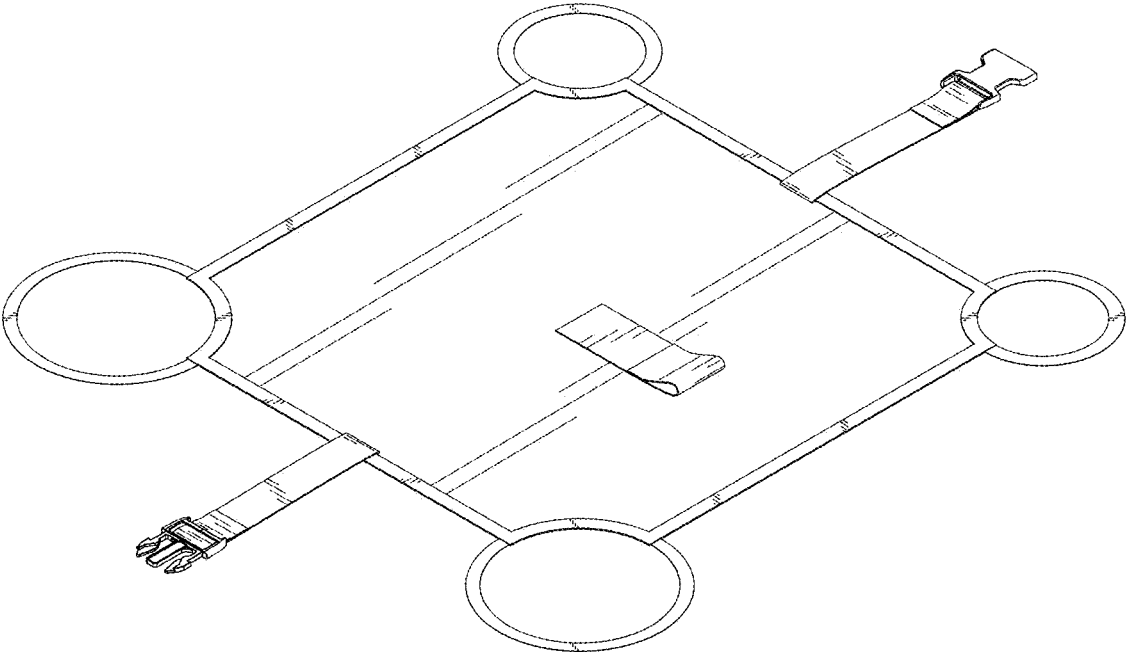


FIG. 1

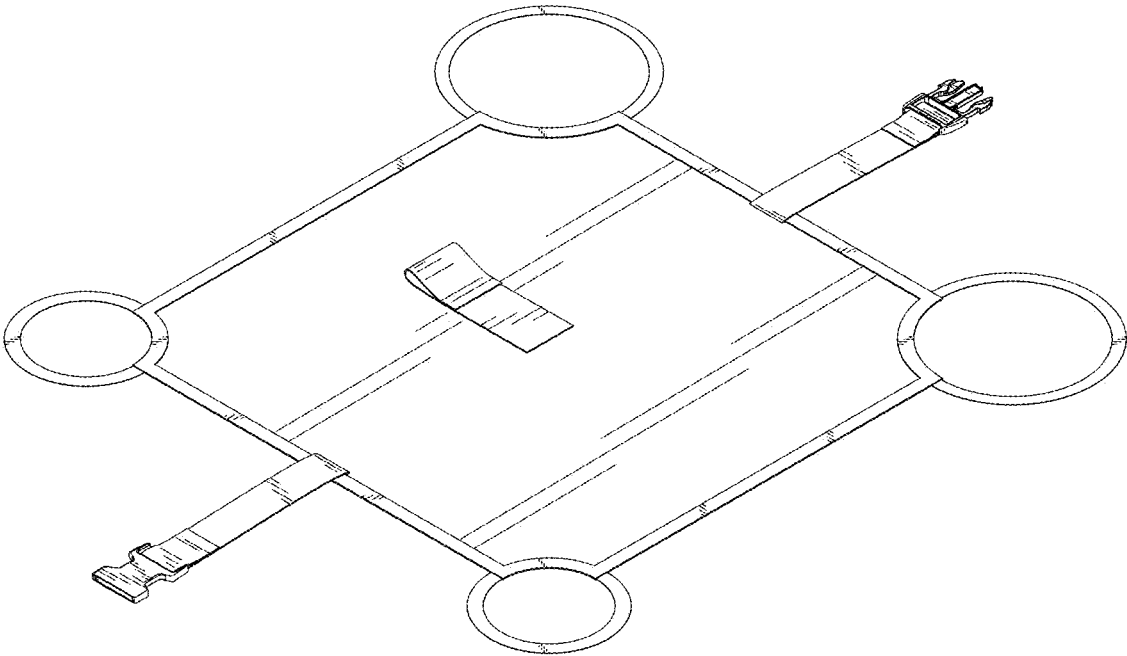


FIG. 2



FIG. 3



FIG. 4



FIG. 5



FIG. 6

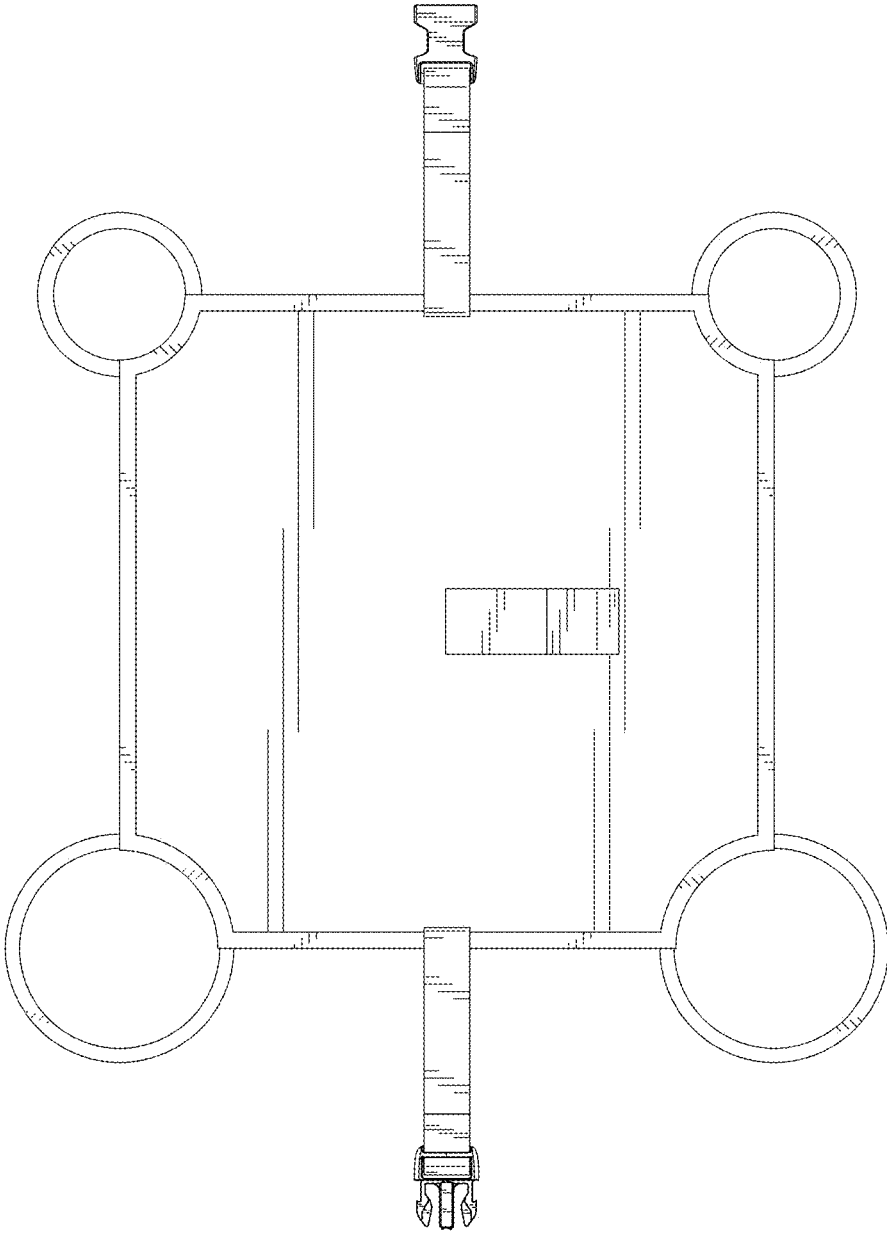


FIG. 7

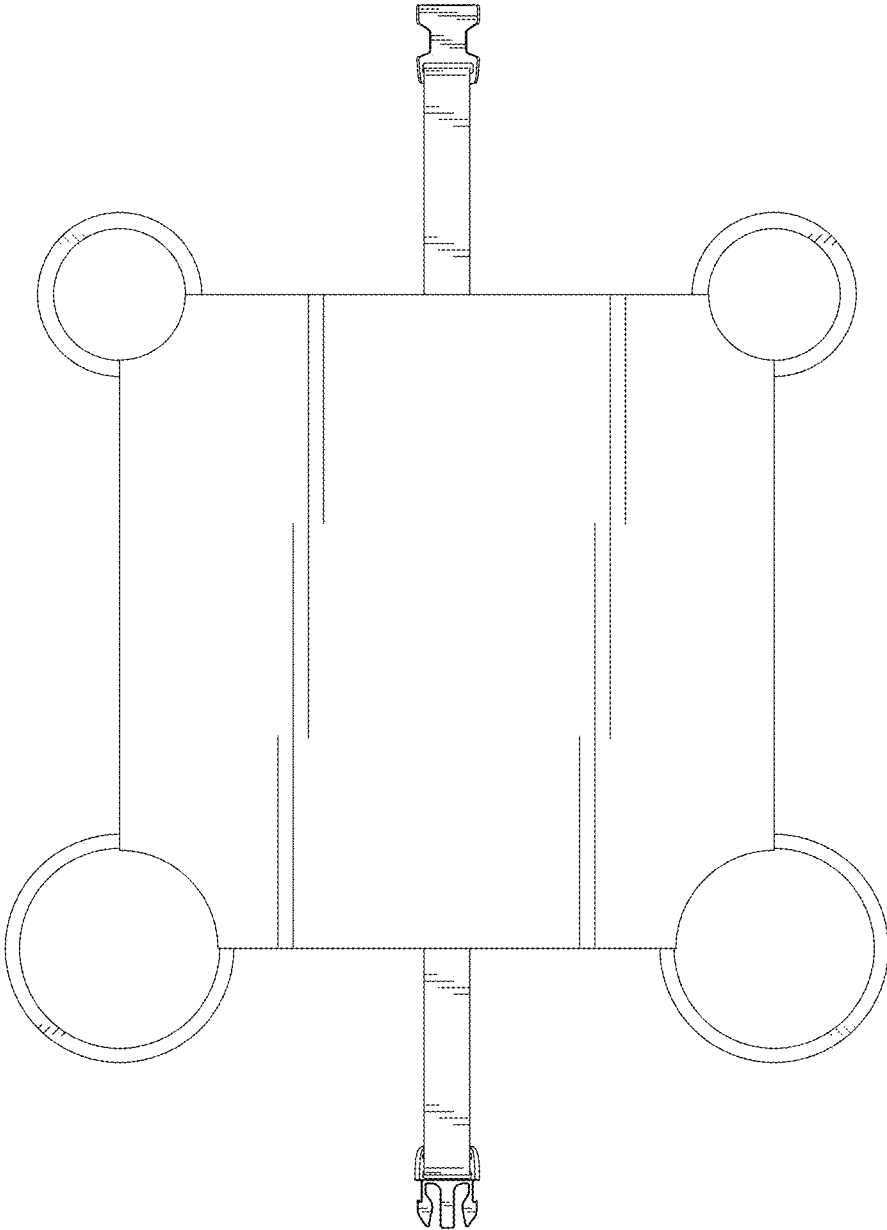


FIG. 8