



US00D394158S

# United States Patent [19]

[11] Patent Number: Des. 394,158

Krämer et al.

[45] Date of Patent: \*\*May 12, 1998

[54] TRAVEL CAP

D. 295,343	4/1988	Regalado	.....	D4/108
D. 326,383	5/1992	Tapocik	.....	D4/113 X
1,716,842	6/1929	Sulak	.....	206/362.3

[75] Inventors: Hans Krämer, Bühl-Altschweier; Hans Halm, Herne, both of Germany

Primary Examiner—Alan P. Douglas  
Assistant Examiner—Lavone D. Tabor  
Attorney, Agent, or Firm—Nora Stein-Fernandez; Janice Williams; Edward T. Lentz

[73] Assignee: SmithKline Beecham Consumer Healthcare GmbH, Germany

[\*\*] Term: 14 Years

### [57] CLAIM

[21] Appl. No.: 65,714

The ornamental design for a travel cap; as shown and described.

[22] Filed: Sep. 20, 1996

### [30] Foreign Application Priority Data

### DESCRIPTION

Mar. 23, 1996 [GB] United Kingdom ..... 2055061

FIG.1 is a perspective view from above and one side of the article;

[51] LOC (6) Cl. .... 04-02

FIG. 2 is an elevational view from the other side of the article;

[52] U.S. Cl. .... D4/113; D4/199

[58] Field of Search ..... D4/108, 113, 199;  
D6/534; 15/184, 246; 132/308; 206/209,  
209.1, 361, 362.2, 362.3, 15.2, 15.3

FIG. 3 is an elevational view of one end;

FIG. 4 is a plan view from below; and,

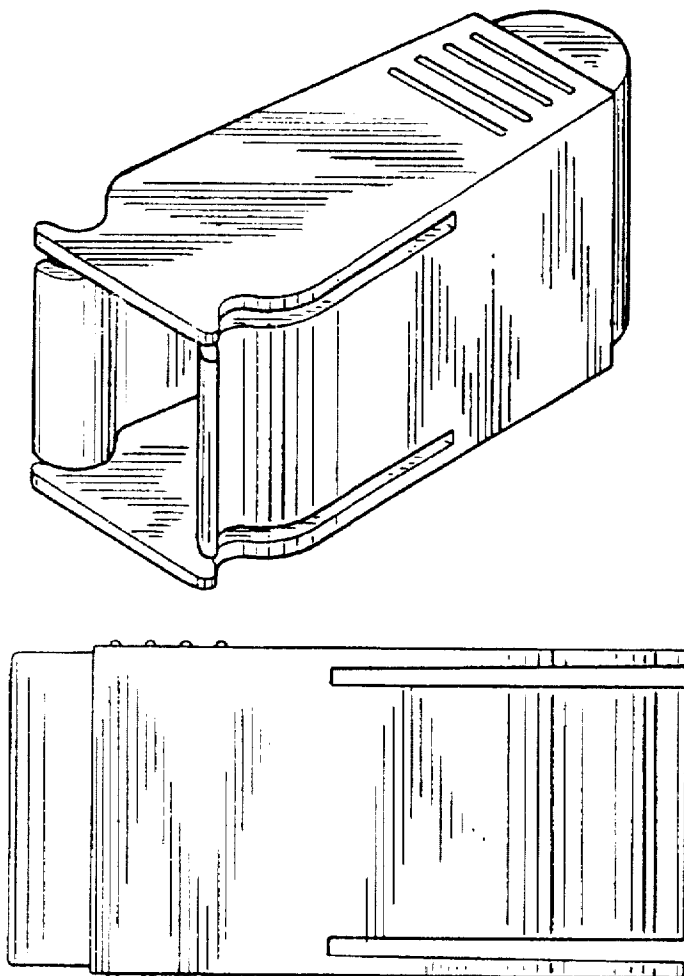
FIG. 5 is an elevational view of the other end.

### [56] References Cited

#### U.S. PATENT DOCUMENTS

D. 209,275 11/1967 Wolfson ..... D4/113

1 Claim, 1 Drawing Sheet



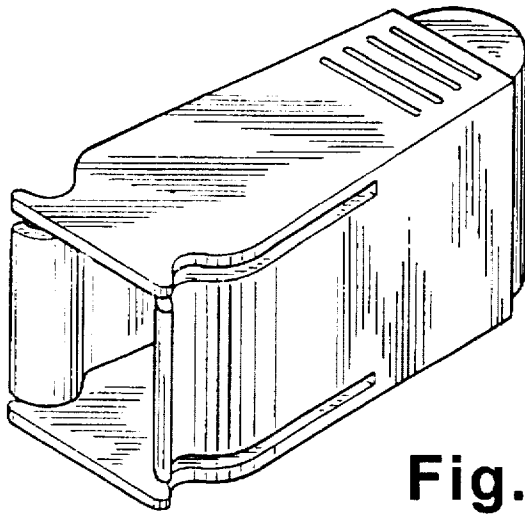


Fig. 1

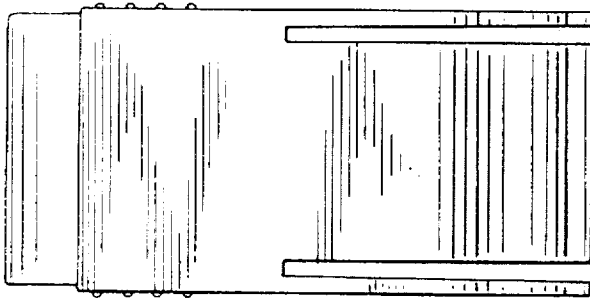


Fig. 2

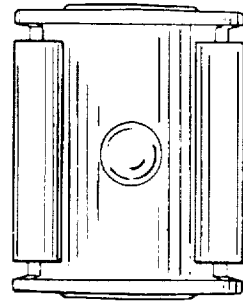


Fig. 3

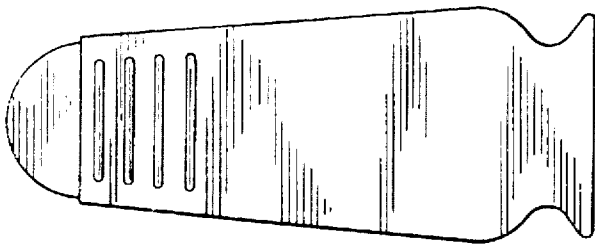


Fig. 4

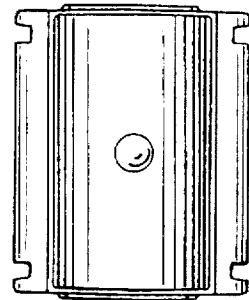


Fig. 5