



US00D877278S

(12) **United States Design Patent**
Ribelin et al.

(10) **Patent No.:** **US D877,278 S**

(45) **Date of Patent:** **** Mar. 3, 2020**

(54) **SUPPRESSED PISTOL**

3/06; F41C 3/14; F41C 3/16; F41C 9/02;
F41C 9/04; F41C 9/06; F41C 9/08

See application file for complete search history.

(71) Applicant: **SilencerCo, LLC**, West Valley City, UT
(US)

(56) **References Cited**

(72) Inventors: **Rex Ribelin**, Cottonwood Heights, UT
(US); **Jacob Scott Turnblom**, Murray,
UT (US)

U.S. PATENT DOCUMENTS

(73) Assignee: **SilencerCo, LLC**, West Valley City, UT
(US)

5,522,167 A *	6/1996	Teetzel	F41A 9/62 250/208.4
D377,077 S *	12/1996	Predazzer	D22/100
D416,013 S *	11/1999	Muraki	D14/418
D458,652 S	6/2002	Chan	
D508,277 S *	8/2005	Cerovic	D21/574
D521,568 S *	5/2006	Hussaini	D14/418

(Continued)

(**) Term: **15 Years**

OTHER PUBLICATIONS

(21) Appl. No.: **29/664,246**

SilencerCo Maxim 9 Overview, YouTube.com, Capitol Armory,
Published on May 17, 2017, [online], [site visited Jul. 25, 2019].
<URL: https://www.youtube.com/watch?v=0ee_3esmxY> (Year:
2017).*

(22) Filed: **Sep. 24, 2018**

(Continued)

Related U.S. Application Data

(62) Division of application No. 29/583,211, filed on Nov.
3, 2016, now Pat. No. Des. 829,292.

Primary Examiner — T Chase Nelson
Assistant Examiner — Jonathan J. Han

(51) **LOC (12) Cl.** **22-01**

(57) **CLAIM**

(52) **U.S. Cl.**

We claim the ornamental design for a suppressed pistol, as
shown and described.

USPC **D22/104**

(58) **Field of Classification Search**

DESCRIPTION

USPC D22/100, 104, 108, 109, 199;
D21/572-575, 145, 146, 147, 567;
D14/418; 124/16, 25.7, 27, 45, 82, 23.1,
124/35.2, 37, 79; 446/401, 403, 400,
446/473, 445, 182, 405, 407; 248/200;
D8/354, 373, 380, 499; 42/4, 41, 42.01,
42/42.02, 42.03, 43, 44, 45, 57, 69.01,
42/71.02, 72, 100; 89/40.06, 41.19,
89/37.04, 33.04, 191.01, 200-204;
362/110, 113

FIG. 1 is a right side view of our design of a suppressed
pistol according to our invention;
FIG. 2 is a left side view of the suppressed pistol shown in
FIG. 1;
FIG. 3 is a top view of the suppressed pistol shown in FIG.
1;
FIG. 4 is a bottom view of the suppressed pistol shown in
FIG. 1;
FIG. 5 is a front view of the suppressed pistol shown in FIG.
1; and,

CPC F41C 3/005; F41C 3/02; F41C 3/04; F41C

(Continued)

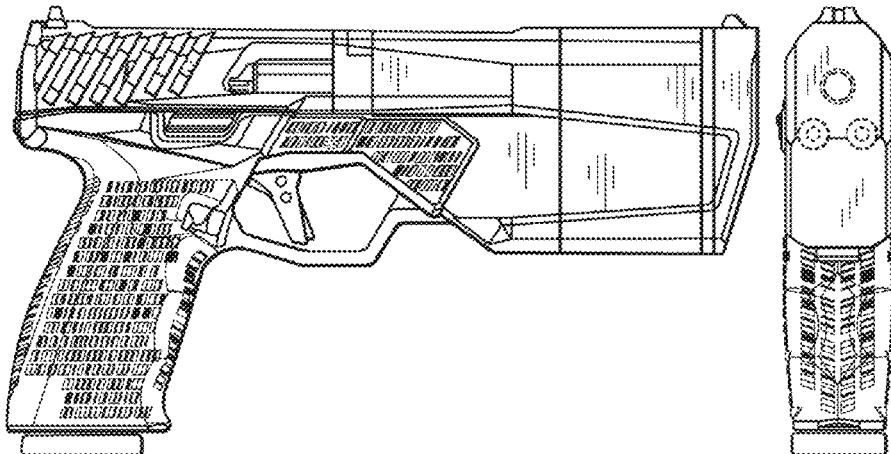


FIG. 6 is a rear view of the suppressed pistol shown in FIG. 1.

The broken lines in the figures show portions of the suppressed pistol that form no part of the claimed design.

1 Claim, 2 Drawing Sheets

(56)

References Cited

U.S. PATENT DOCUMENTS

7,287,526 B1 * 10/2007 Bligh F41B 11/643
124/63
D583,896 S * 12/2008 McGarry D22/104
D584,374 S * 1/2009 McGarry D22/104
D593,629 S * 6/2009 Bantle D22/104
D627,028 S * 11/2010 Coulombier D22/104
D630,290 S * 1/2011 Velasquez D22/104
D636,031 S * 4/2011 Torre D21/573
D660,923 S * 5/2012 Johnson D21/573
D660,925 S * 5/2012 Jablonski D21/573
D664,609 S * 7/2012 Johnson D21/574
8,312,658 B2 11/2012 Lippard
D678,454 S * 3/2013 Emde D22/104
8,448,365 B2 * 5/2013 Mead F41B 7/003
42/54
D687,117 S 7/2013 Yigit
D702,794 S * 4/2014 Chow D22/104
8,720,426 B2 * 5/2014 Hadley F41B 11/51
124/66
D716,899 S 11/2014 Rothmann
D742,989 S 11/2015 Holden

D754,258 S * 4/2016 Sakai D14/418
D754,796 S * 4/2016 Sakai D14/418
D754,802 S * 4/2016 Martelli D21/574
D755,907 S * 5/2016 Hu D21/574
D758,519 S 6/2016 Toner
9,387,575 B2 * 7/2016 Wei B25B 15/00
D778,389 S 2/2017 Holden
D808,487 S * 1/2018 Beville D22/104
D829,292 S * 9/2018 Ribelin D22/104
D842,393 S * 3/2019 Xiao D21/575
D847,136 S * 4/2019 Tenbrink D14/418
2006/0010746 A1 1/2006 Little
2006/0187610 A1 * 8/2006 Su F41B 11/62
361/232
2009/0282718 A1 * 11/2009 Bartley F41C 23/12
42/75.03
2017/0205173 A1 * 7/2017 Thomas F41A 3/40

OTHER PUBLICATIONS

Maxim 9 Product Overview, Silencerco.com, [online], [site visited Jul. 25, 2019]. <URL: <https://silencerco.com/maxim-9>> (Year: 2019).
* Maxim 9 SilencerCo, integrally suppressed pistol, New-WeaponsAndMore.blogspot.com, Sep. 16, 2015, [online], [site visited Jul. 25, 2019]. <URL: <https://newweaponsandmore.blogspot.com/2015/09/maxim-9-silencerco-integrally.html#!/2015/09/maxim-9-silencerco-integrally.html>> (Year: 2015).
* 3D Sci-fi Handgun, Turbosquid.com, Published: Jun 29, 2018, [online], [site visited Jul. 25, 2019]. <URL: <https://www.turbosquid.com/3d-models/3d-sci-fi-handgun-1301452>> (Year: 2018).
* NFA Review Channel—YouTube, Silencerco Maxim 9, Sep. 17, 2015, [site visited Aug. 31, 2016], Available on the Internet YRL: <<https://www.youtube.com/watch?v=BhK7F7kt50g>>.

* cited by examiner

FIG. 1

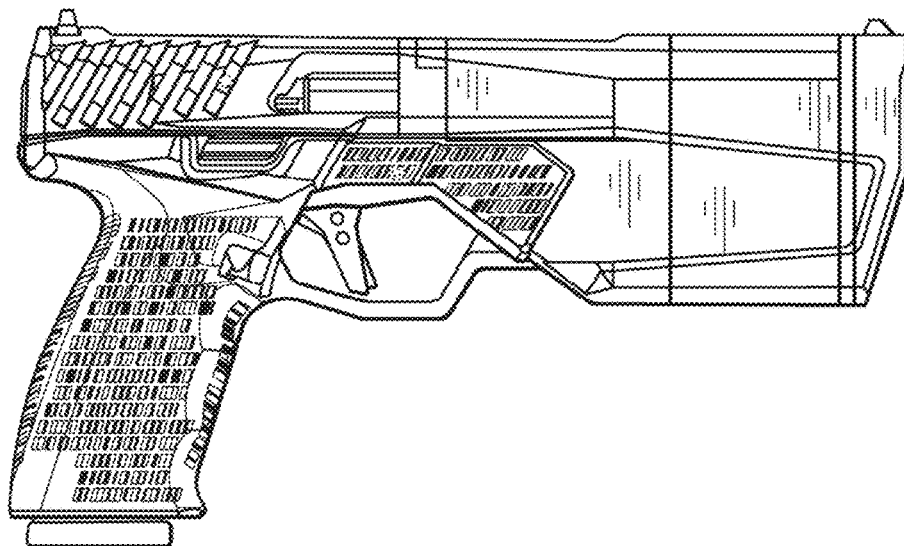


FIG. 2

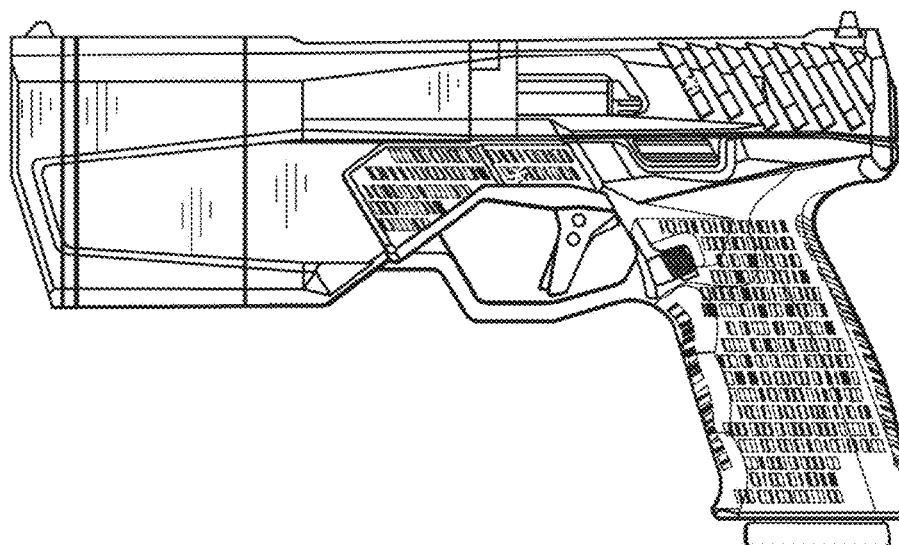


FIG. 3

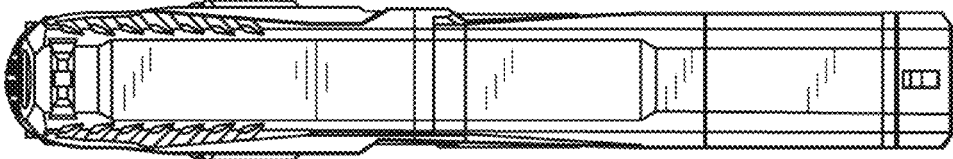


FIG. 4

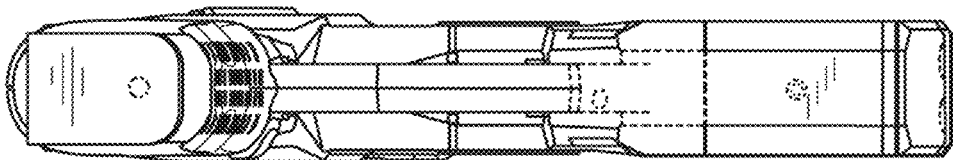


FIG. 5

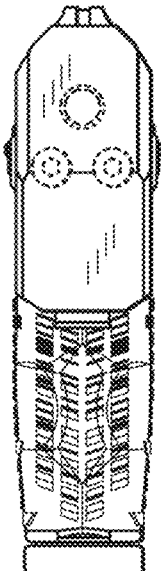


FIG. 6

