



US00D468403S

(12) **United States Design Patent** (10) **Patent No.:** **US D468,403 S**
Panis et al. (45) **Date of Patent:** **** *Jan. 7, 2003**

- (54) **FAUCET**
- (75) Inventors: **Pierre-Yves Panis**, North Olmsted, OH (US); **Douglas A. Kemp**, North Ridgeville, OH (US); **Michael J. Painter**, Columbus, OH (US); **Sean W. Svendsen**, Columbus, OH (US)
- (73) Assignee: **Moen Incorporated**, North Olmsted, OH (US)
- (*) Notice: This patent is subject to a terminal disclaimer.
- (**) Term: **14 Years**
- (21) Appl. No.: **29/159,064**
- (22) Filed: **Apr. 15, 2002**
- (51) **LOC (7) Cl.** **23-01**
- (52) **U.S. Cl.** **D23/242; D23/241**
- (58) **Field of Search** **D23/238-243, D23/250-257; 4/675-678; 137/801**
- (56) **References Cited**

- D385,016 S 10/1997 Doughty et al.
- D398,963 S 9/1998 Donahue et al.
- D404,470 S 1/1999 Pitsch et al.
- D407,143 S 3/1999 Hyde et al.
- D409,292 S 5/1999 Hyde et al.
- D414,546 S 9/1999 Cosolito et al.
- D415,825 S 10/1999 Chang et al.
- D418,580 S 1/2000 Warshawsky et al.
- D418,581 S 1/2000 Warshawsky et al.
- D419,220 S 1/2000 Warshawsky et al.
- D428,965 S 8/2000 Slothower
- D428,972 S 8/2000 Spangler
- D428,973 S 8/2000 Spangler
- D428,974 S 8/2000 Spangler
- D429,317 S 8/2000 Spangler
- D429,318 S 8/2000 Spangler
- D429,522 S 8/2000 Spangler
- D429,523 S 8/2000 Spangler
- D429,799 S 8/2000 Spangler
- D429,800 S 8/2000 Spangler
- D430,650 S 9/2000 Graves
- D433,102 S 10/2000 Spangler
- D433,106 S 10/2000 Spangler
- D433,484 S 11/2000 Spangler
- D434,118 S 11/2000 Lord
- D434,473 S 11/2000 Spangler
- D434,474 S 11/2000 Spangler

U.S. PATENT DOCUMENTS

- D276,259 S * 11/1984 Miller D23/241
- D285,106 S 8/1986 Yost
- D287,747 S 1/1987 Miller et al.
- D288,835 S 3/1987 Yost
- D288,836 S 3/1987 Yost
- D289,318 S 4/1987 Yost
- D293,362 S 12/1987 Hill et al.
- D295,551 S * 5/1988 Yost D23/255
- D318,717 S 7/1991 Spangler
- D318,901 S 8/1991 Rodstein
- D320,645 S 10/1991 Knapp et al.
- D321,750 S 11/1991 Spangler
- D325,772 S 4/1992 Carr
- D327,532 S 6/1992 Ko
- D327,944 S 7/1992 Stairs, Jr. et al.
- D352,095 S 11/1994 Bollenbacher
- D365,384 S 12/1995 Robbins
- D368,302 S * 3/1996 Doughty et al. D23/241
- D372,300 S 7/1996 Fabian
- D373,815 S 9/1996 Chaney

(List continued on next page.)

Primary Examiner—Louis S. Zarfaz
Assistant Examiner—Gregory Andoll
(74) *Attorney, Agent, or Firm*—Cook, Alex, McFarron, Manzo, Cummings & Mehler, Ltd.

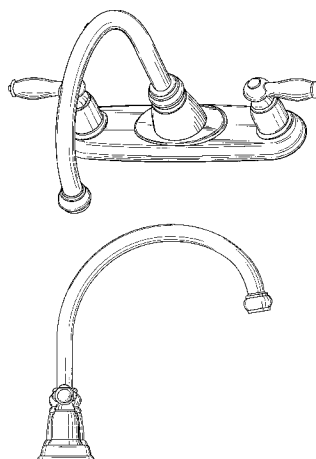
(57) **CLAIM**

The ornamental design for a faucet, as shown and described.

DESCRIPTION

FIG. 1 is a front perspective view of our new design for a faucet;
FIG. 2 is a left side view thereof, the right side being a mirror image of the left side;
FIG. 3 is a front view thereof;
FIG. 4 is a top view thereof; and,
FIG. 5 is a rear view thereof.

1 Claim, 3 Drawing Sheets



US D468,403 S

Page 2

U.S. PATENT DOCUMENTS

D436,397 S	1/2001	Lord	D441,434 S	5/2001	Dretzka
D437,033 S	1/2001	Spangler	D443,031 S	5/2001	Strader et al.
D437,394 S	2/2001	Mark et al.	D444,539 S	7/2001	Ker
D437,918 S	2/2001	Doughty et al.	D444,851 S	7/2001	Sturgeon
D438,600 S	3/2001	Spangler	D444,856 S	7/2001	Green et al.
D438,602 S	3/2001	Milrud et al.	D445,880 S	7/2001	Wen
D438,936 S	3/2001	Spangler	D446,843 S	8/2001	Martinez
D439,635 S	3/2001	Robbins	D447,541 S	9/2001	Dretzka
D439,953 S	4/2001	Lord	D447,542 S	9/2001	Dretzka
D440,634 S	4/2001	Fleischmann	D448,068 S	9/2001	Lord
D440,635 S	4/2001	Fleischmann	D448,833 S	10/2001	Pitsch
D441,428 S	5/2001	Donell			

* cited by examiner

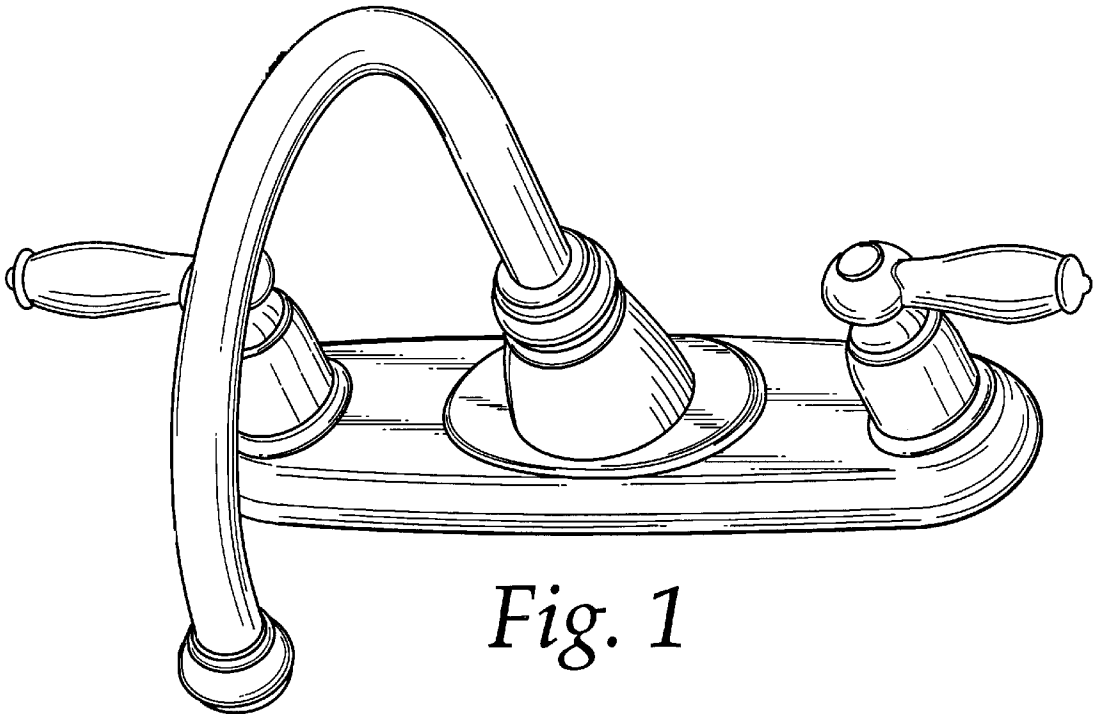


Fig. 1

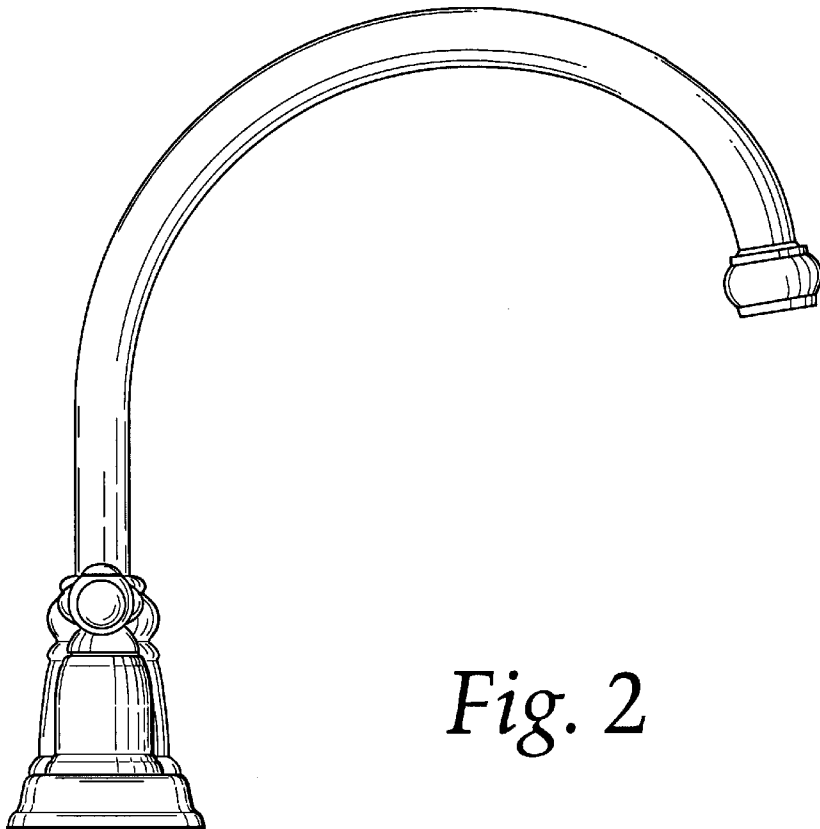
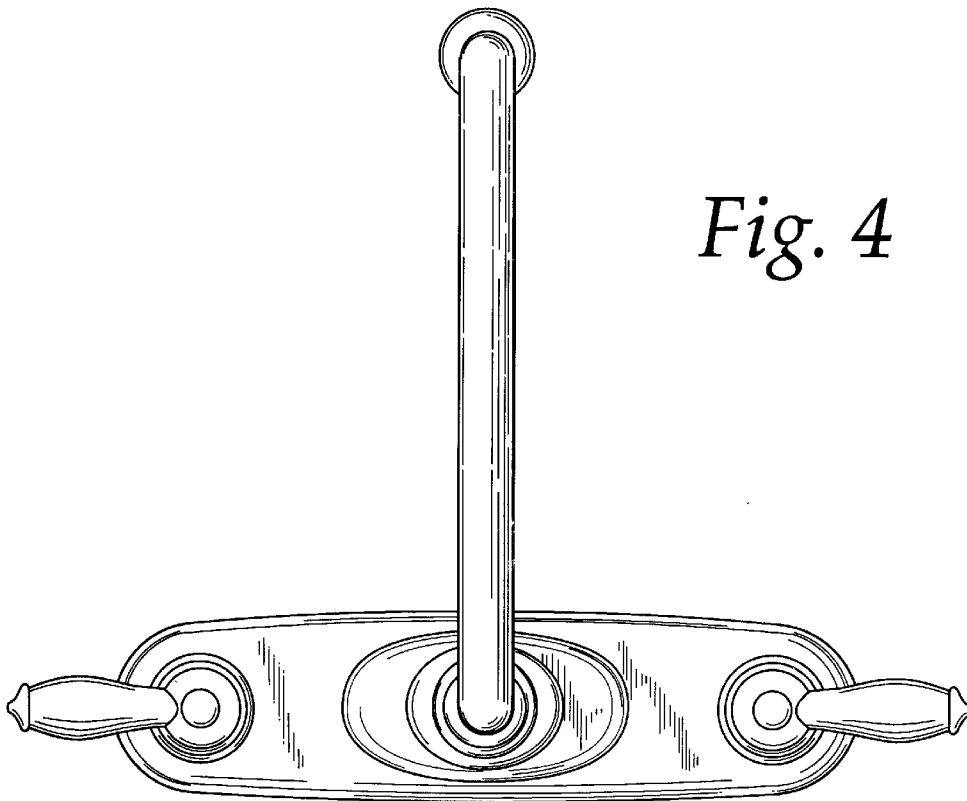
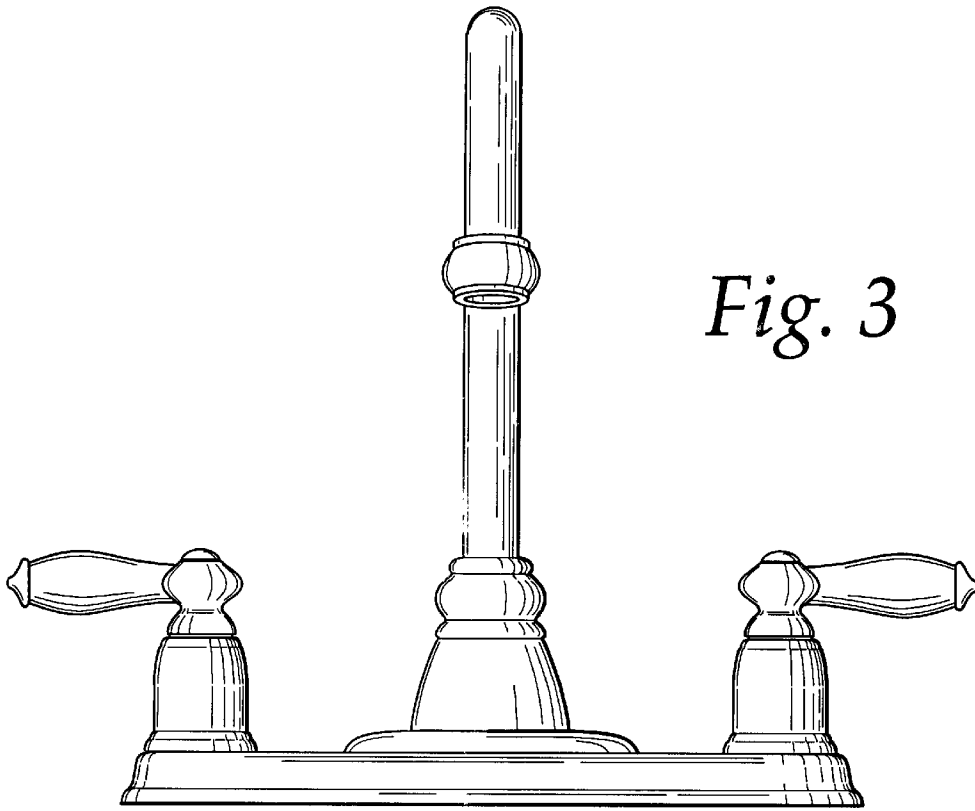


Fig. 2



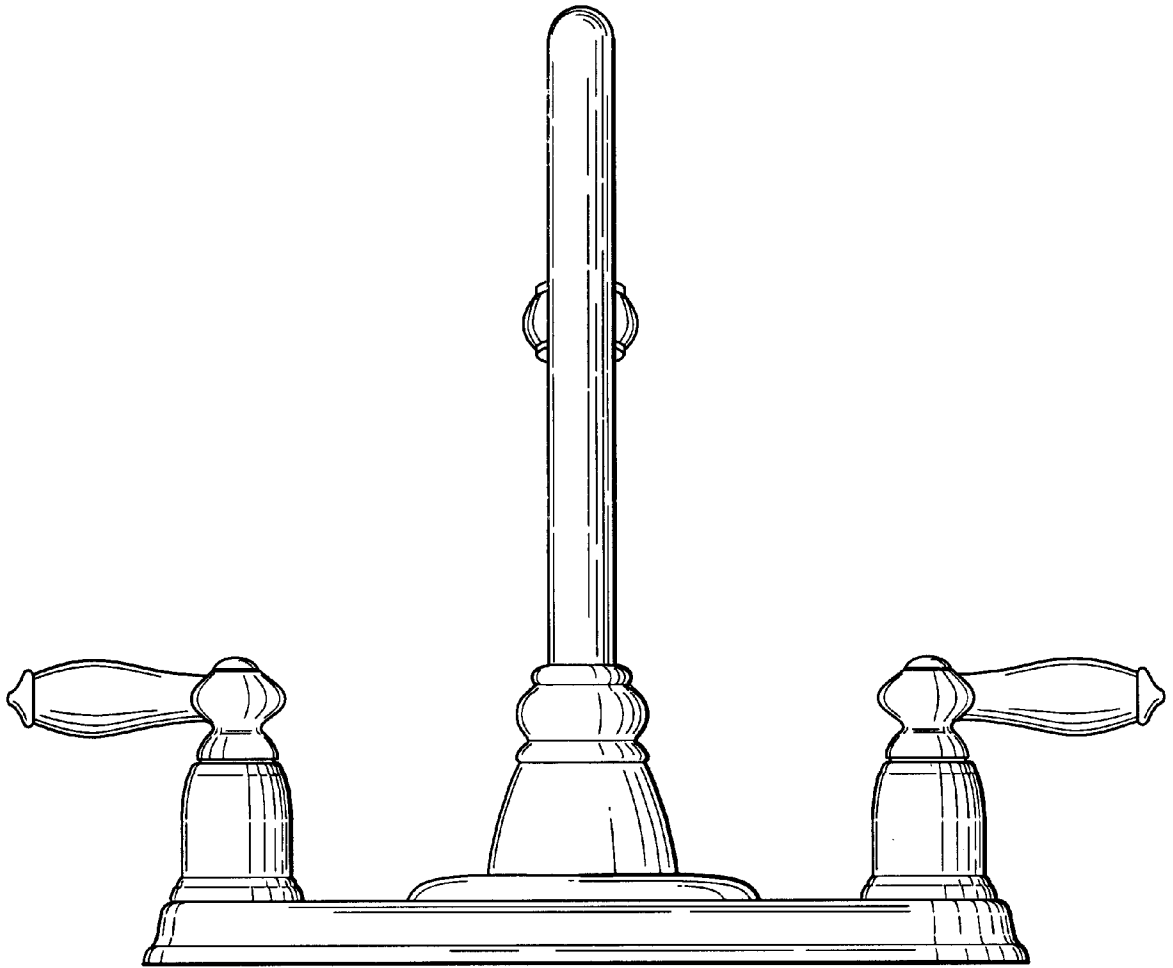


Fig. 5