



(12) **United States Design Patent**
Ritter

(10) **Patent No.:** **US D1,023,235 S**
(45) **Date of Patent:** **** Apr. 16, 2024**

(54) **SPRAY GUN FOR PAINT**

(71) Applicant: **J. Wagner GmbH**, Markdorf (DE)
(72) Inventor: **Tino Ritter**, Bermatingen (DE)
(73) Assignee: **J. Wagner GmbH**, Markdorf (DE)
(**) Term: **15 Years**

(21) Appl. No.: **35/516,111**
(22) Filed: **Oct. 21, 2022**

(80) **Hague Agreement Data**
Int. Filing Date: **Oct. 21, 2022**
Int. Reg. No.: **DM/226134**
Int. Reg. Date: **Oct. 21, 2022**
Int. Reg. Pub. Date: **Jan. 27, 2023**

(30) **Foreign Application Priority Data**
Apr. 22, 2022 (DE) 40 2022 100 329.3
(51) **LOC (14) Cl.** **23-01**
(52) **U.S. Cl.**
USPC **D23/225**
(58) **Field of Classification Search**
USPC D23/207, 213, 214, 223, 224, 225, 226,
D23/229, 230; D9/500, 524, 542, 685
CPC ... B05B 7/2478; B05B 7/0081; B05B 1/3046;
B05B 7/2416; B05B 7/2435; B05B
7/0815
See application file for complete search history.

(56) **References Cited**

U.S. PATENT DOCUMENTS
D495,400 S * 8/2004 Hopper D23/225
D503,213 S * 3/2005 Stevens D23/225
D519,603 S * 4/2006 Schumann D23/225
D564,623 S * 3/2008 Nathan D23/225

(Continued)

OTHER PUBLICATIONS

“Flexio 3550 18V—Owner’s Manual.” Wagner., Mar. 29, 2023 [online], [retrieved on Jan. 13, 2023]. Retrieved from the Internet <URL: https://www.wagnerspraytech.com/wp-content/uploads/2023/03/2444964B_eng.pdf>.*

(Continued)

Primary Examiner — Darlington Ly
(74) *Attorney, Agent, or Firm* — Christopher J. Volkman; Kelly, Holt & Christenson, PLLC.

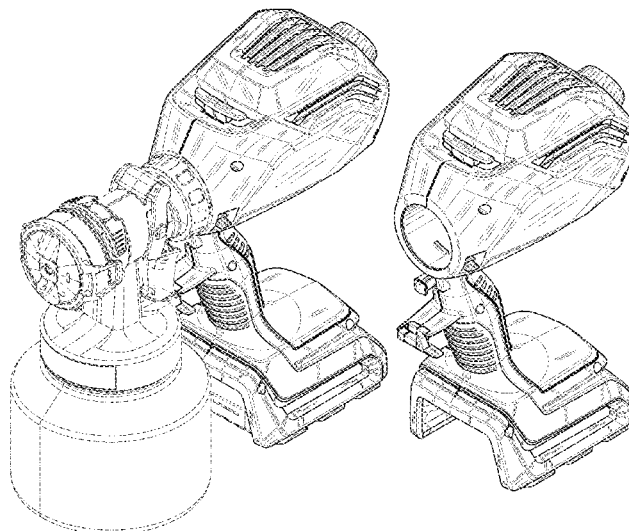
(57) **CLAIM**

The ornamental design for a spray gun for paint, as shown and described.

DESCRIPTION

FIG. 1.1 is a top, front, and right side perspective view of a spray gun for paint in accordance with a first embodiment; FIG. 1.2 is a top, rear, and left side perspective view thereof; FIG. 1.3 is a front elevation view thereof; FIG. 1.4 is a rear elevation view thereof; FIG. 1.5 is a right side elevation view thereof; FIG. 1.6 is a left side elevation view thereof; FIG. 1.7 is a top plan view thereof; and FIG. 1.8 is a bottom plan view thereof. FIG. 2.1 is a top, front, and right side perspective view of a spray gun for paint in accordance with a second embodiment; FIG. 2.2 is a top, rear, and left side perspective view thereof; FIG. 2.3 is a front elevation view thereof; FIG. 2.4 is a rear elevation view thereof; FIG. 2.5 is a right side elevation view thereof; FIG. 2.6 is a left side elevation view thereof; FIG. 2.7 is a top plan view thereof; and FIG. 2.8 is a bottom plan view thereof. The broken lines in the reproductions illustrate portions of the spray gun for paint that form no part of the claimed design.

1 Claim, 16 Drawing Sheets



(56)

References Cited

U.S. PATENT DOCUMENTS

D567,331 S * 4/2008 Everett D23/225
 D567,332 S * 4/2008 Nathan D23/225
 7,360,720 B2 * 4/2008 Gohring B05B 7/2416
 239/315
 D568,962 S * 5/2008 Nathan D23/225
 D571,435 S * 6/2008 Nathan D23/225
 D573,226 S * 7/2008 Everett D23/225
 D630,708 S * 1/2011 Blenkush D23/225
 D633,176 S * 2/2011 Blenkush D23/225
 D651,691 S * 1/2012 Muetzel D23/225
 D664,628 S * 7/2012 Zhou D23/225
 D692,095 S * 10/2013 Hines D23/225
 D693,428 S * 11/2013 Tullney D23/225
 D698,007 S * 1/2014 Tullney D23/225
 D713,500 S * 9/2014 Muhl D23/225
 D723,659 S * 3/2015 Tullney D23/225
 D757,897 S * 5/2016 Tullney D23/223
 D758,536 S * 6/2016 Olson D23/225
 D759,199 S * 6/2016 Wrobel D23/225
 D796,004 S * 8/2017 Yang D23/225
 D809,099 S * 1/2018 Tullney D23/225

D814,610 S * 4/2018 Dawson D23/225
 D828,495 S * 9/2018 Mazur D23/225
 D844,106 S * 3/2019 Dawson D23/225
 D857,162 S * 8/2019 Dawson D23/225
 D926,930 S * 8/2021 Camille D23/225
 D956,927 S * 7/2022 Qiao D23/225
 D985,721 S * 5/2023 Ritter D23/225
 2013/0119156 A1 * 5/2013 Munn B05B 7/26
 137/315.01
 2015/0190826 A1 * 7/2015 Gang B05B 7/2416
 239/304
 2017/0304853 A1 * 10/2017 Krayner B05B 15/62
 2019/0356253 A1 * 11/2019 Krusel B05B 9/0861
 2021/0370327 A1 * 12/2021 Pfingstgraef B05B 7/2435

OTHER PUBLICATIONS

“Cordless HandHeld Airless Sprayers.” Graco., Dec. 18, 2020
 [online], [retrieved on Jan. 13, 2023]. Retrieved from the Internet
 <URL: https://www.graco.com/content/dam/graco/tech_documents/manuals/3A4/3A4476/3A4476EN-F.pdf>.*

* cited by examiner

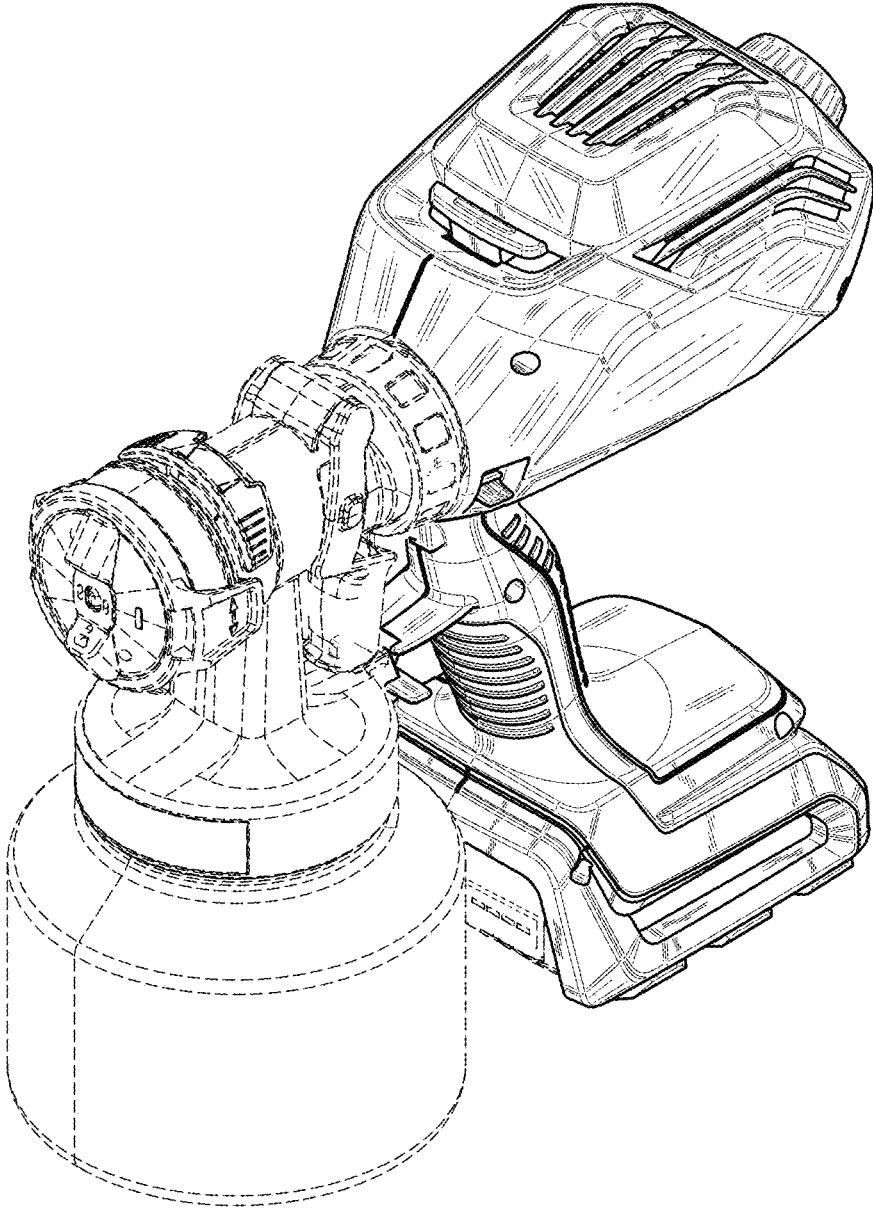


FIG. 1.1

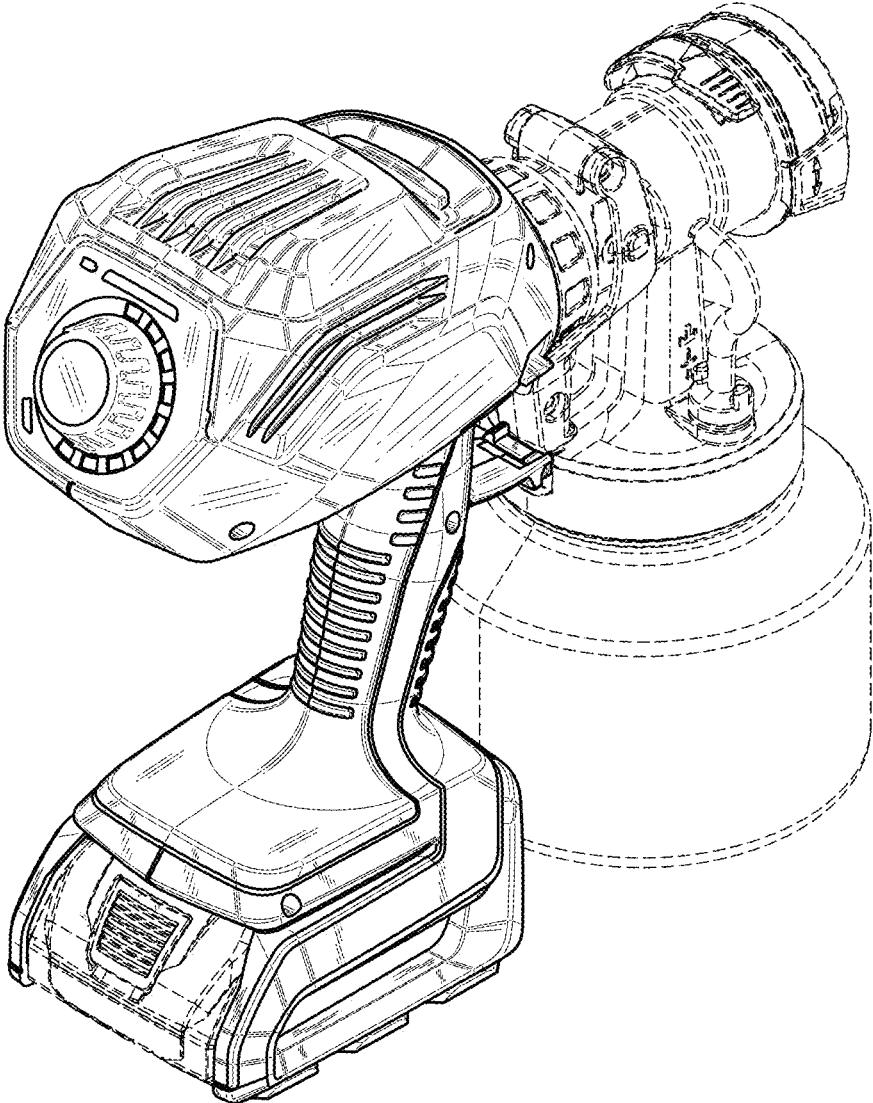


FIG. 1.2

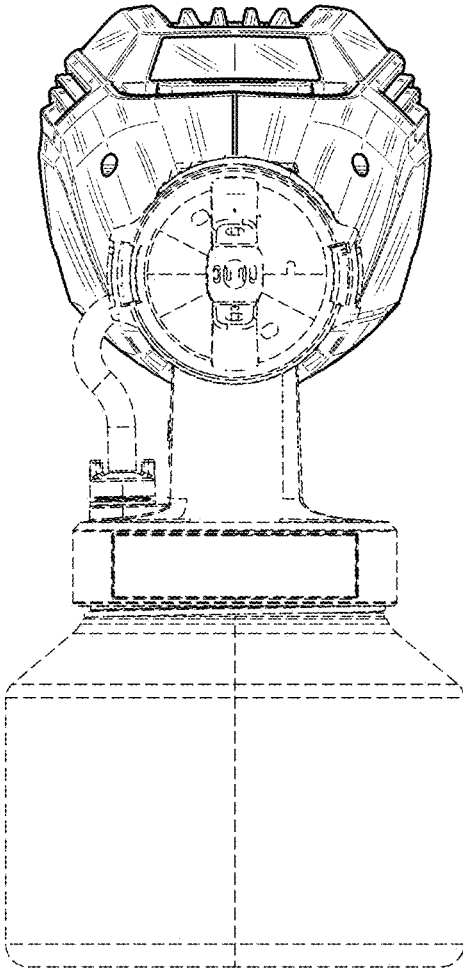


FIG. 1.3

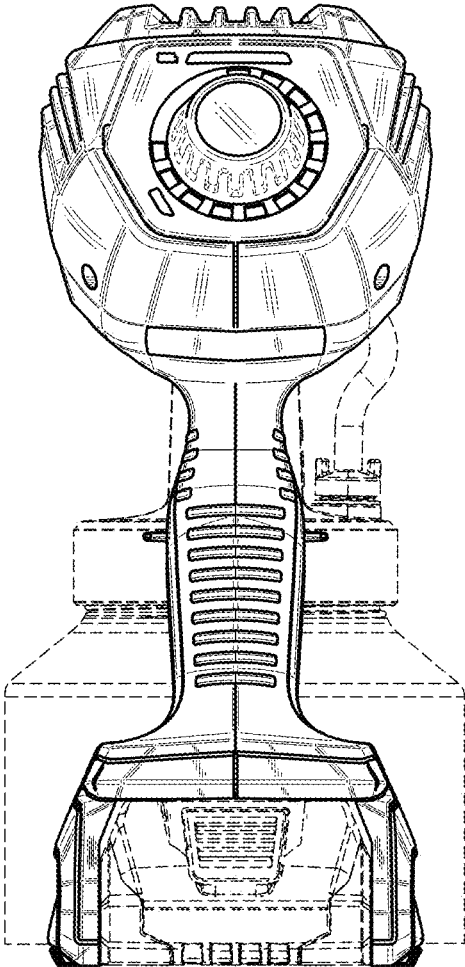


FIG. 1.4

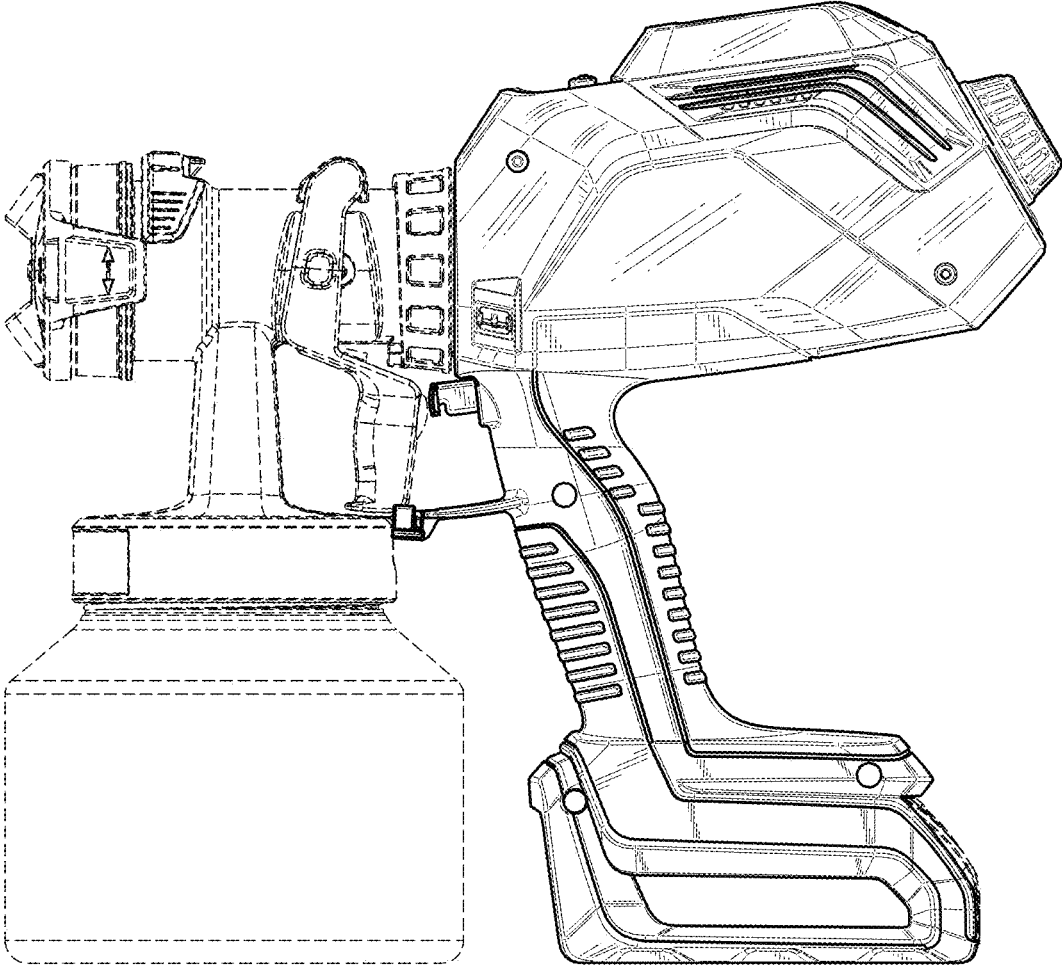


FIG. 1.5

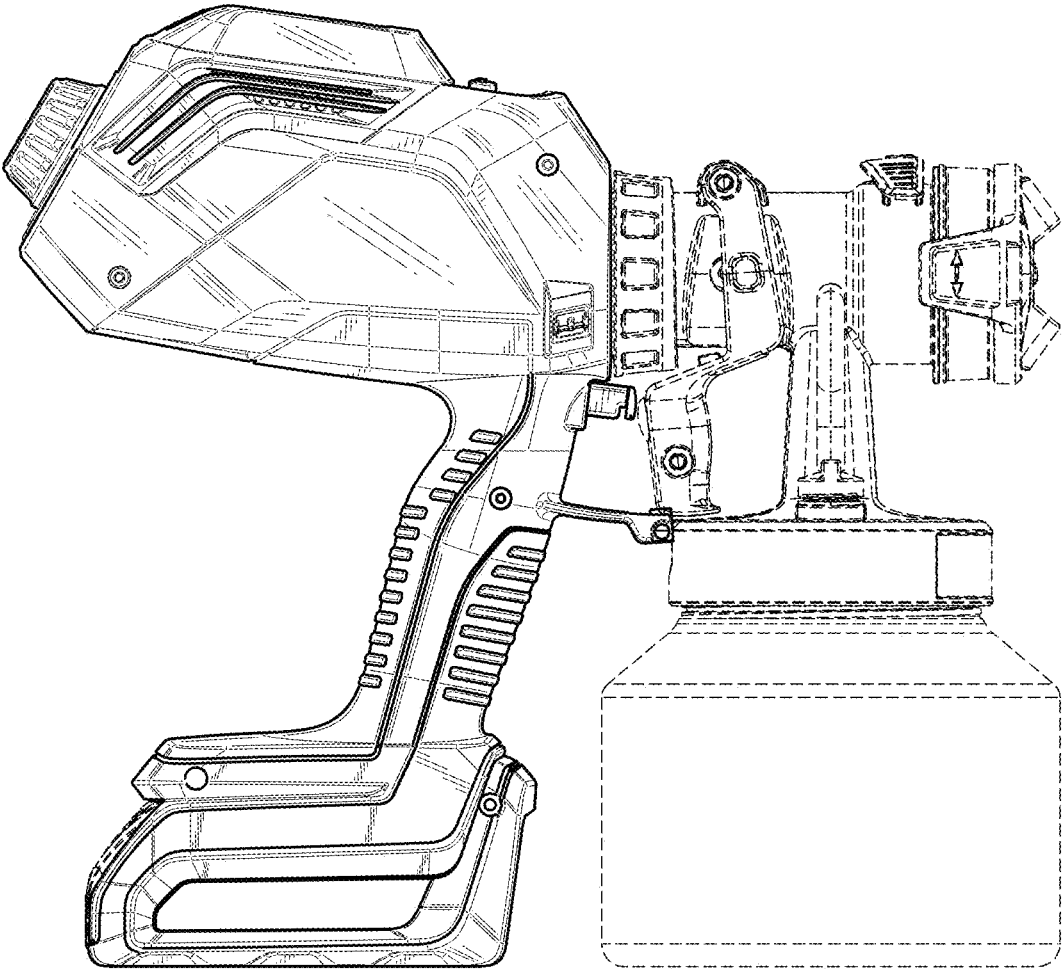


FIG. 1.6

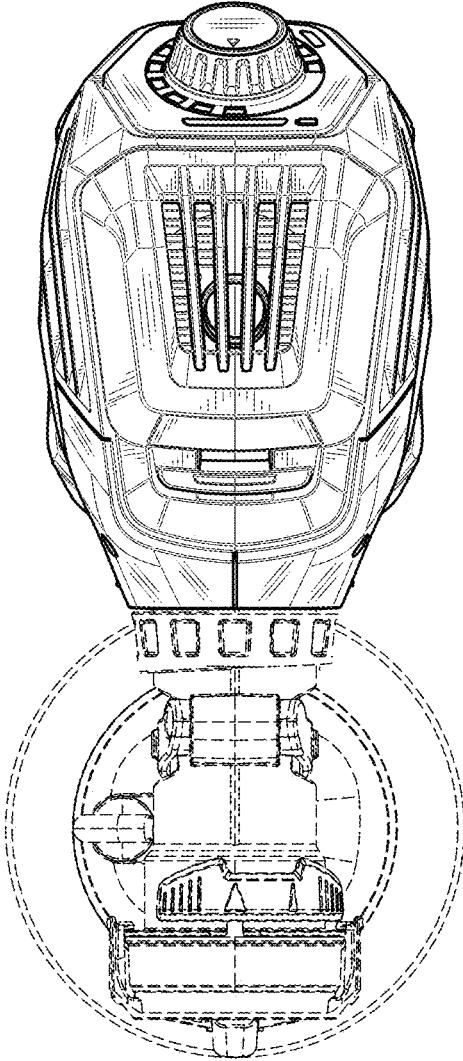


FIG. 1.7

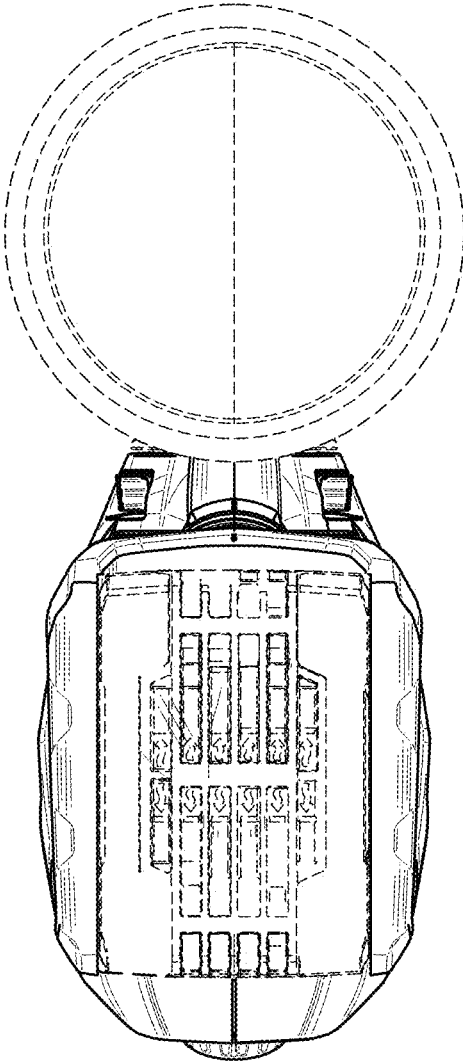


FIG. 1.8

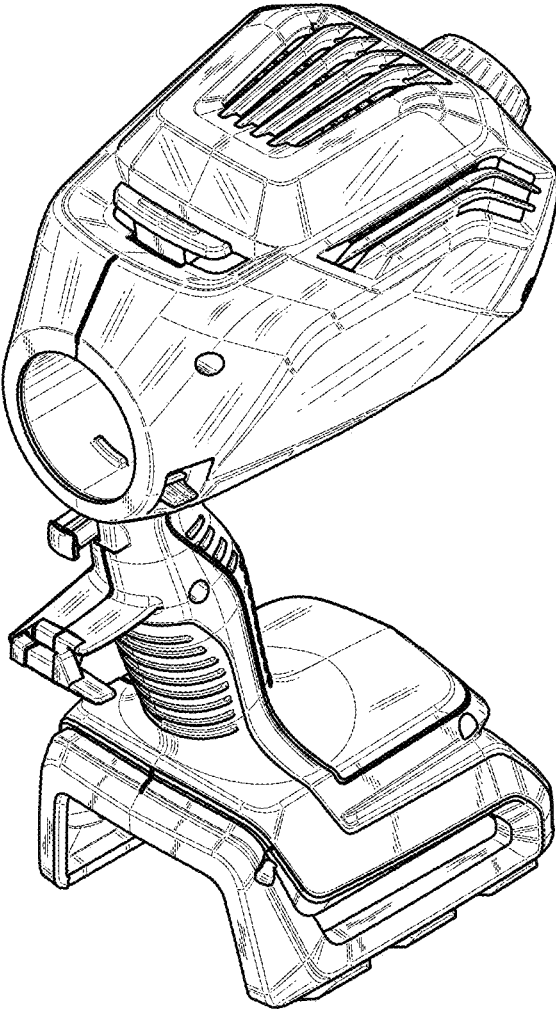


FIG. 2.1

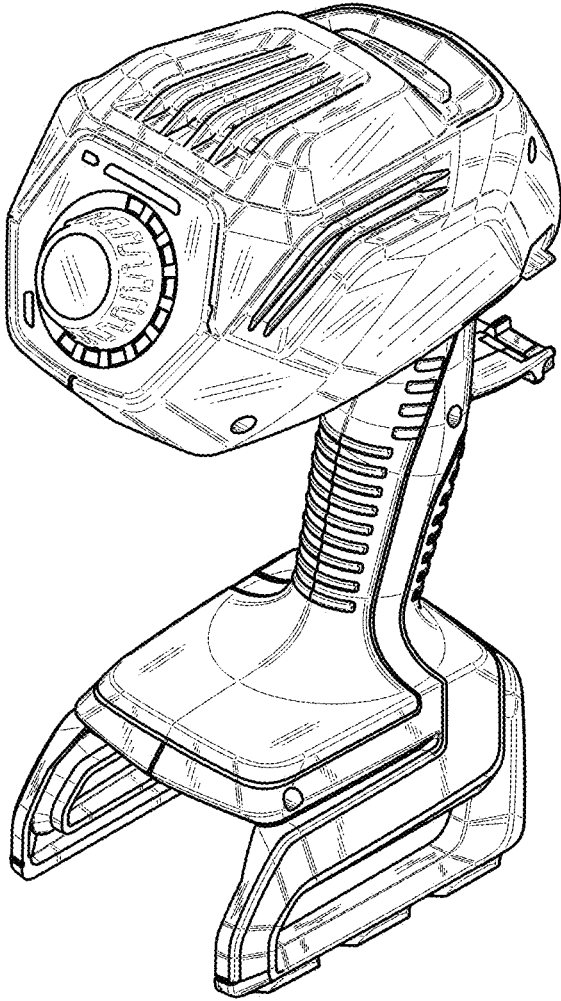


FIG. 2.2

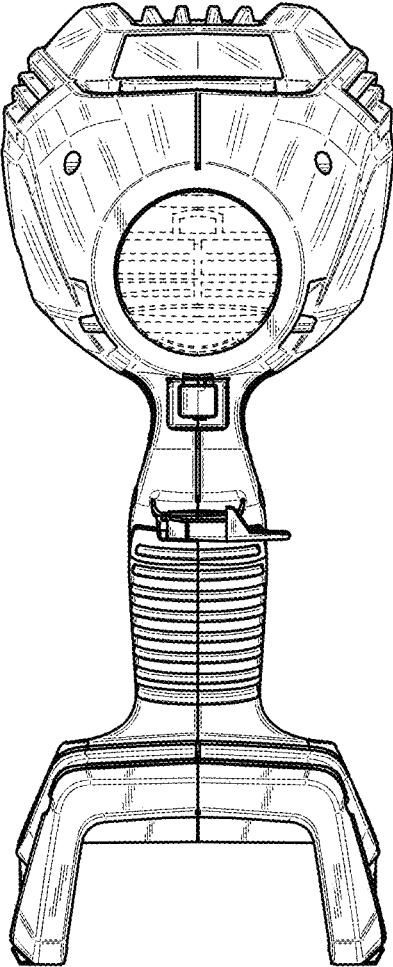


FIG. 2.3

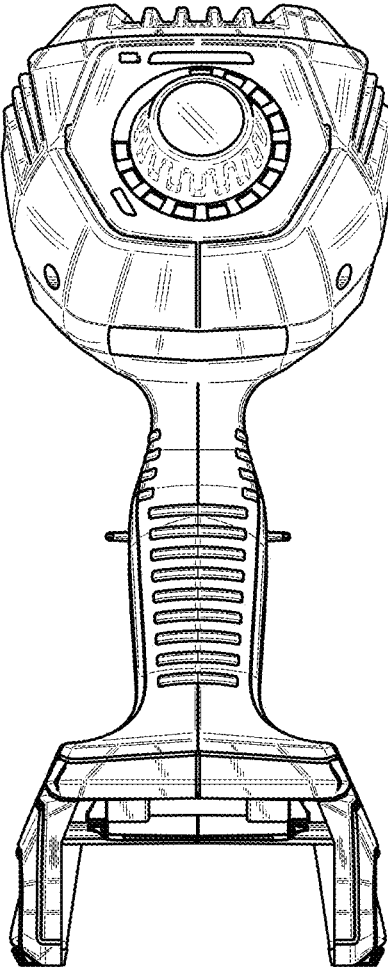


FIG. 2.4

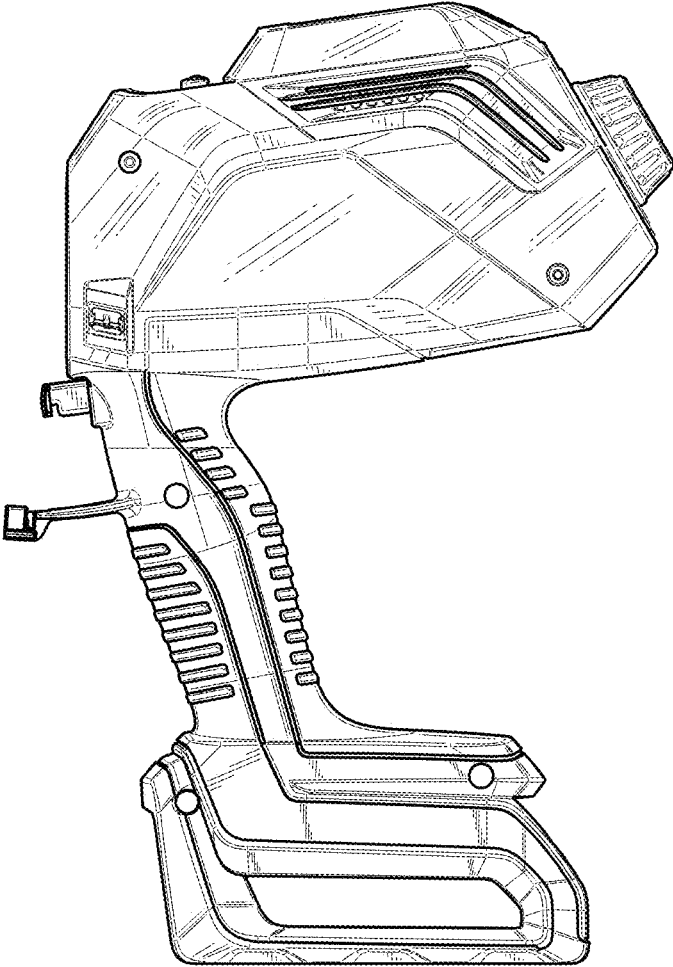


FIG. 2.5

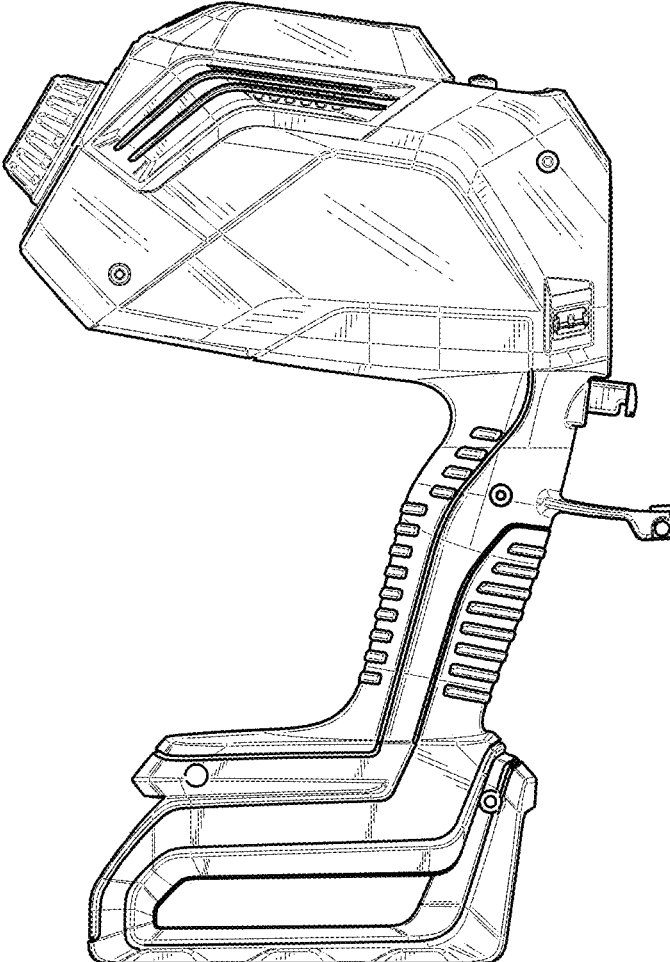


FIG. 2.6

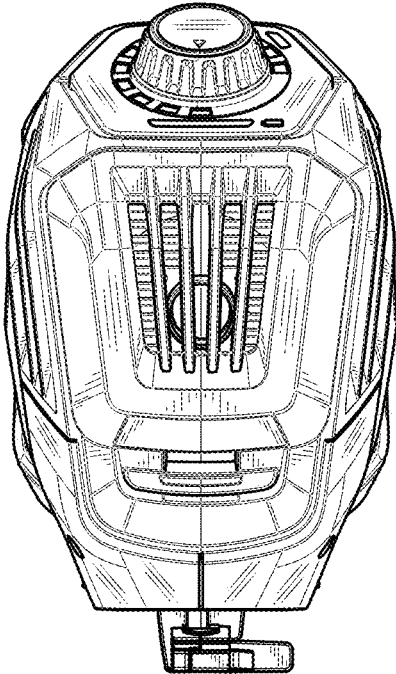


FIG. 2.7

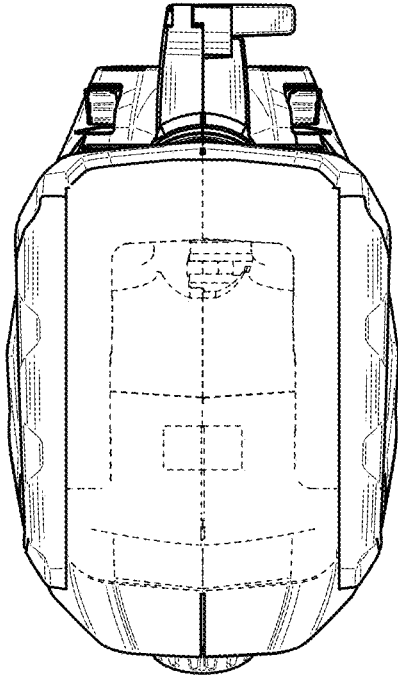


FIG. 2.8