



US00D818133S

(12) **United States Design Patent**
Moore et al.

(10) **Patent No.:** **US D818,133 S**
(45) **Date of Patent:** **** May 15, 2018**

- (54) **TOP FOR A FLUID CONTAINER**
- (71) Applicant: **PURA STAINLESS LLC**, Santa Barbara, CA (US)
- (72) Inventors: **Jenifer R. Moore**, Santa Barbara, CA (US); **Roger P. Moore**, Santa Barbara, CA (US)
- (73) Assignee: **PURA STAINLESS LLC**, Santa Barbara, CA (US)
- (**) Term: **15 Years**
- (21) Appl. No.: **29/553,371**
- (22) Filed: **Feb. 1, 2016**

Related U.S. Application Data

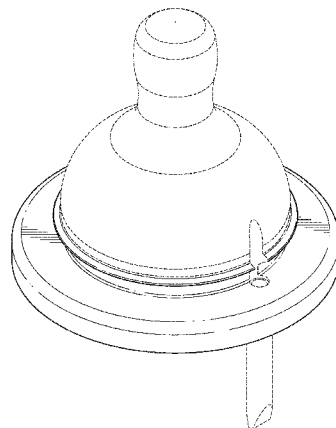
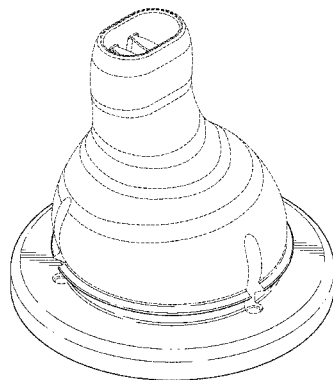
- (60) Division of application No. 29/431,287, filed on Sep. 5, 2012, now Pat. No. Des. 724,233, which is a continuation of application No. 29/514,678, filed on Jan. 15, 2015, now Pat. No. Des. 752,234.
- (51) **LOC (11) Cl.** **09-07**
- (52) **U.S. Cl.**
USPC **D24/197; D9/447**
- (58) **Field of Classification Search**
USPC D24/193, 194, 195, 196, 197, 198, 199; 606/236; 215/11.1, 11.2, 11.3, 11.4, 11.5, 215/11.6; D9/447
CPC A61J 11/001; A61J 11/0035
See application file for complete search history.

References Cited

U.S. PATENT DOCUMENTS

- 1,099,082 A 6/1914 Decker
- 1,510,363 A 9/1924 Wangen et al.
- 1,659,784 A 2/1928 Pfister et al.
- 1,733,184 A 10/1929 Decker
- 1,797,433 A 3/1931 McCrea
- 1,998,646 A 4/1935 Yager et al.
- 2,008,593 A 7/1935 Pedersen
- 2,084,099 A * 6/1937 MacCoy A61J 9/04
137/43
- 2,157,896 A 5/1939 Held
- 2,194,004 A 3/1940 Bukolt
- 2,438,299 A 3/1948 Relis

- 2,449,014 A 9/1948 Shaffer
- 2,812,764 A 11/1957 Crisp
- 2,836,321 A 5/1958 Soltesz et al.
- D188,393 S 7/1960 Fagan
- D193,121 S 6/1962 Wickman et al.
- 3,117,702 A 1/1964 Henchert
- 3,160,327 A 12/1964 Porcelli
- 3,292,809 A 12/1966 Shomock et al.
- 3,445,023 A 5/1969 Giessler et al.
- D220,732 S 5/1971 Ritsi
- 3,788,510 A 1/1974 Collins
- 4,488,551 A 12/1984 Connelly
- 4,613,050 A 9/1986 Atkin et al.
- D288,241 S 2/1987 Fuller
- D306,266 S 2/1990 Hargrove et al.
- 4,993,568 A 2/1991 Morifuji et al.
- D324,824 S 3/1992 Hansen
- 5,316,160 A 5/1994 Cautereels
- 5,544,766 A 8/1996 Dunn et al.
- D378,975 S 4/1997 Reid
- D404,646 S 1/1999 Black, Sr. et al.
- D409,303 S 5/1999 Oepping
- 5,909,820 A 6/1999 Yeh
- 5,950,689 A * 9/1999 Varlet A61J 1/2093
141/2
- D424,937 S 5/2000 Tucker
- 6,223,919 B1 5/2001 Kuehn
- D448,971 S 10/2001 Hughes
- 6,371,315 B1 4/2002 Chien
- D463,567 S 9/2002 Morano
- D465,028 S 10/2002 Renz
- D479,606 S 9/2003 Randolph
- 6,634,417 B1 10/2003 Kolowich
- D487,227 S 3/2004 Haley
- D504,725 S 5/2005 Randolph et al.
- D507,722 S 7/2005 Rockhill
- 6,948,630 B2 9/2005 Julian et al.
- D514,935 S 2/2006 Sturk
- 6,994,225 B2 2/2006 Hakim
- 7,070,065 B2 7/2006 Wong
- D531,901 S 11/2006 Rueschhoff et al.
- D555,795 S 11/2007 Mallet
- D567,384 S 4/2008 Sakulsacha et al.
- D588,616 S 3/2009 Tanaka et al.
- D617,465 S 6/2010 Hakim
- D630,510 S * 1/2011 Yacktman D9/447
- D634,439 S 3/2011 Hakim
- 7,938,281 B2 5/2011 Horntrich et al.
- D639,968 S 6/2011 Pukall et al.
- D639,969 S 6/2011 Pukall et al.
- D643,722 S 8/2011 Gorskey et al.
- 8,123,086 B2 2/2012 Haley
- D667,558 S 9/2012 Hakim



D671,793	S	12/2012	Hakim	
D678,767	S	3/2013	Haley	
D679,589	S	4/2013	Hauth	
D681,216	S	4/2013	Smith	
D683,189	S	5/2013	Thomas	
8,573,436	B2	11/2013	Moore et al.	
D699,068	S	2/2014	Dunn et al.	
8,739,991	B2	6/2014	Moore et al.	
8,807,386	B2	8/2014	Lam	
D713,259	S	9/2014	Naef et al.	
D722,173	S	* 2/2015	Wilson	D24/196
D724,233	S	3/2015	Moore et al.	
D728,808	S	* 5/2015	Sakulsacha	D24/196
D730,730	S	6/2015	Haley et al.	
RE45,611	E	7/2015	Haley	
D734,476	S	* 7/2015	Chaitanarit	D24/196
9,233,052	B2	1/2016	Moore	
D749,745	S	* 2/2016	Prentice	D24/197
D750,490	S	3/2016	Moore et al.	
D752,234	S	* 3/2016	Moore	D24/194
D752,434	S	* 3/2016	Willows	D9/447
D794,811	S	* 8/2017	Thomas	D24/194
2003/0089676	A1	* 5/2003	Uehara	A61J 11/006 215/11.1
2004/0124168	A1	7/2004	Silver	
2004/0221385	A1	11/2004	Su	
2005/0000930	A1	1/2005	Weissberg	
2005/0006415	A1	* 1/2005	Kiehne	A61J 11/001 222/395
2005/0258201	A1	11/2005	Willows et al.	
2006/0011571	A1	1/2006	Silver	
2006/0261064	A1	11/2006	Holley, Jr.	
2007/0102434	A1	5/2007	Dunwoody et al.	
2007/0221604	A1	9/2007	Hakim	
2008/0282907	A1	11/2008	Begin et al.	
2009/0261054	A1	10/2009	Shelby	
2009/0301990	A1	12/2009	Cresswell et al.	
2011/0062105	A1	3/2011	Itzek	
2012/0074090	A1	3/2012	Rees	
2012/0305582	A1	* 12/2012	Dunn	A47G 19/2272 220/714
2014/0251939	A1	9/2014	Boonprasop	
2015/0053637	A1	2/2015	Archer et al.	

FOREIGN PATENT DOCUMENTS

AU	2009200949	10/2009	
CN	2813523	3/2013	
CN	ZL 201320170041.6	12/2013	
CN	ZL 2013305348008	3/2014	
EP	0151862	A2 8/1985	
EP	1354579	A1 10/2003	
EP	002346577-001	11/2013	
EP	002346577-0002	11/2013	
GB	2154451	A1 9/1985	
GB	2491790	4/2013	
KR	20-1999-0021881	6/1999	
KR	10-2000-0022013	4/2000	
KR	20-2000-0007813	5/2000	
KR	10-2000-0042244	7/2000	
WO	WO 0016731	A1 3/2000	
WO	WO 2011/116354	A2 9/2011	
ZA	2012/07314	11/2012	

OTHER PUBLICATIONS

“Choosing Feeding Nipples and Pacifiers”. Found online Aug. 31, 2016 at motherforlife.com. Page dated Nov. 4, 2013. Retrieved from <http://www.motherforlife.com/shopping/special-themes/8307-choosing-feeding-nipples-and-pacifiers.shtml>.*

U.S. Appl. No. 29/454,971, Moore, Roger et al. Organickidz, About us, www.organickidz.ca/about-us/founder, Pub. Date Unknown.

CamelBak Eddy, .75L BPA-Free Water Bottle for Hydration on the Go. http://shop.camelbak.com/eddy-75l/d/1012_c_755_cl_6192, printed on Mar. 9, 2016.

Tejada, Avoid Bisphenol A when you can, www.azcentral.com/community/chandler/citizen/articles/2009/05/26/20090526fr-askexpert0527.html, May 26, 2009.

My Precious Kid, Baby Bottles—BPA free/stainless steel on sale, <http://www.mypreciouskid.com/blog/2009/10/baby-bottles-bpa-free-stainless-steel-on-sale/>, Oct. 21, 2009.

Mittelstaedt, Bisphenol A poses disease risk for adults, study says, theglobeandmail.com/technology/science/.../article1061117, Sep. 16, 2008.

Mommyauctions, Bottle raid 2007!, mommyauctions.com/blog/2007/10/01/kitchen-raid-2007-what-s-the-scoop-on-all-the-bpa-free-hype, Oct. 21, 2009.

Wellings, Concerns over baby bottles, <http://au.news.yahoo.com/today-tonight/latest/article/-/6098435/concerns-over-baby-bottles>, Sep. 24, 2009.

Examination Report issued in United Kingdom Patent Application No. GB1218578.1 dated Oct. 31, 2012.

Daley, Harvard study backs bottle concern, says plastic used leaches Bisphenol A, The Boston Globe www.boston.com/lifestyle/green/articles/2009/05/22/harvard-study-backs-bottle-concern and: www.organickidz.ca/stainless-steel-bpa/news-articles, May 22, 2009.

International Search Report and Written Opinion for International Application No. PCT/US2011/029098, Notification dated Nov. 28, 2011.

Consumer Reports, Major baby bottle manufacturers agree to ban BPA, <http://news.consumerreports.org/safety/2009/03/baby-bottle-makers-agree-to-ban-bpa.html>, Mar. 9, 2009.

Nuby Replacement Spouts, Copyright 2011.

Cornell University, Plastics—Avoiding BPA, [http://envirocancer.cornell.edu](http://envirocancer.cornell.edu/envirocancer.cornell.eduhttp://envirocancer.cornell.edu), Mar. 2009.

Adams, Six baby bottle manufacturers quietly agree to remove BPA from baby bottles, http://www.naturalnews.com/025804_BPA_Baby_Bottles.html, Mar. 9, 2009.

Wiley, Stainless Steel Baby Bottles are the best alternative to plastic, voices.yahoo.com/stainless-steel-baby-bottles-best-alternative-2999481.html?cat=25, Mar. 6, 2009.

Alter, Time to pack in the polycarbonates, <http://www.treehugger.com/green-food/time-to-pack-in-the-polycarbonates.html>, Aug. 1, 2007.

Thinkbaby, The New Design—Stage B, Cross Cut, No Spill (6 to 12 months)—Two Pack, http://thinkbabybottles.3dcartstores.com/The-New-Design-Stage-B-Cross-Cut-No-Spill-6-to-12-months-Two-Pack-p_200.html retrieved May 5, 2015. The publication date of this reference is not readily available. Applicant requests that the Examiner review the reference as prior art. Applicant reserves the right to disqualify the reference as prior art if needed.

Garvey, World’s first stainless steel baby bottles—safe, strong and sustainable, www.gizmag.com/worlds-first-stainless-steel-baby-bottles/12910, Sep. 22, 2009.

Manila Mommy, A Review and a Giveaway! Pura Kiki Stainless Steel Bottle, <http://manilamommy.com/pura-kiki-review/>, Mar. 5, 2012.

Family Education, Pura Stainless Steel Water Bottle Giveaway, <http://blogs.familyeducation.com/blogs/lindsay/pura-stainless-steel-water-bottle-giveaway>, Sep. 14, 2011.

Stannard, Yale study details how and why of BPA’s dangers, www.ehhi.org/plastics/taylor_nhregister_0310.shtml and: www.organickidz.ca/stainless-steel-bpa/news-articles, Mar. 9, 2009.

* cited by examiner

Primary Examiner — Robert M. Spear

Assistant Examiner — Kendra Leslie Hamilton

(74) Attorney, Agent, or Firm — Knobbe Martens Olson & Bear LLP

(57)

CLAIM

The ornamental design for a top for a fluid container, as shown and described.

DESCRIPTION

FIG. 1 is a front, top, and side perspective view of a first embodiment of a top for a fluid container embodying our new design.

FIG. 2 is a front view thereof.

FIG. 3 is a back view thereof.

FIG. 4 is a side view thereof, the opposite side being a mirror image.

FIG. 5 is a top view thereof.

FIG. 6 is a bottom view thereof.

FIG. 7 is a front, top, and side perspective view of a second embodiment of a top for a fluid container embodying our new design.

FIG. 8 is a front view thereof.

FIG. 9 is a back view thereof.

FIG. 10 is a side view thereof, the opposite side being a mirror image.

FIG. 11 is a top view thereof; and,

FIG. 12 is a bottom view thereof.

Broken lines are used to illustrate features of the fluid container top base which form no part of the claimed design.

In the first embodiment, broken lines showing the upper portion above the annular protrusion, and showing the inside, bottom, and vents form no part of the claimed design.

In the second embodiment, broken lines showing the upper portion above the annular protrusion, and showing the inside, bottom, and vents form no part of the claimed design.

1 Claim, 12 Drawing Sheets

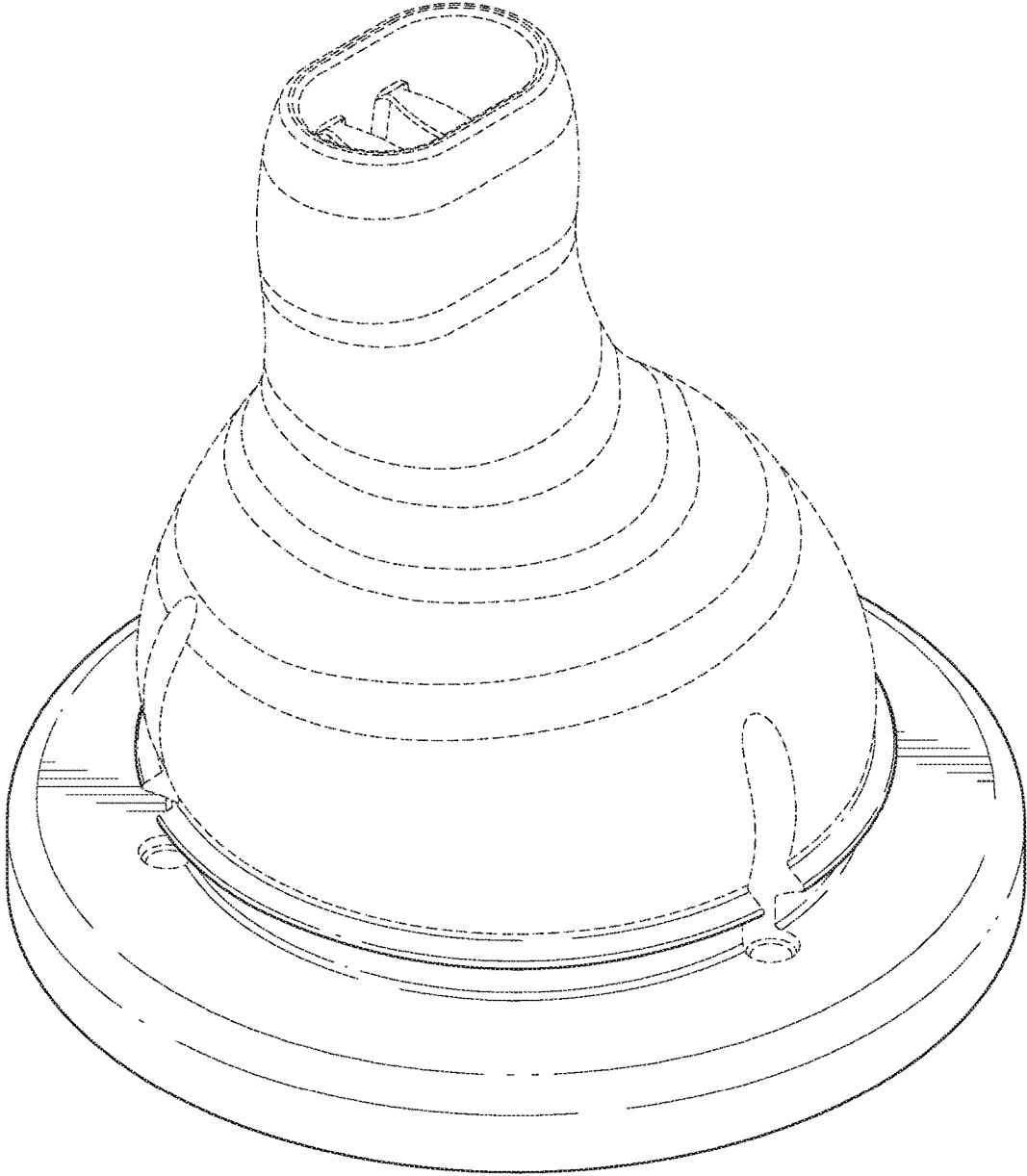


FIG. 1

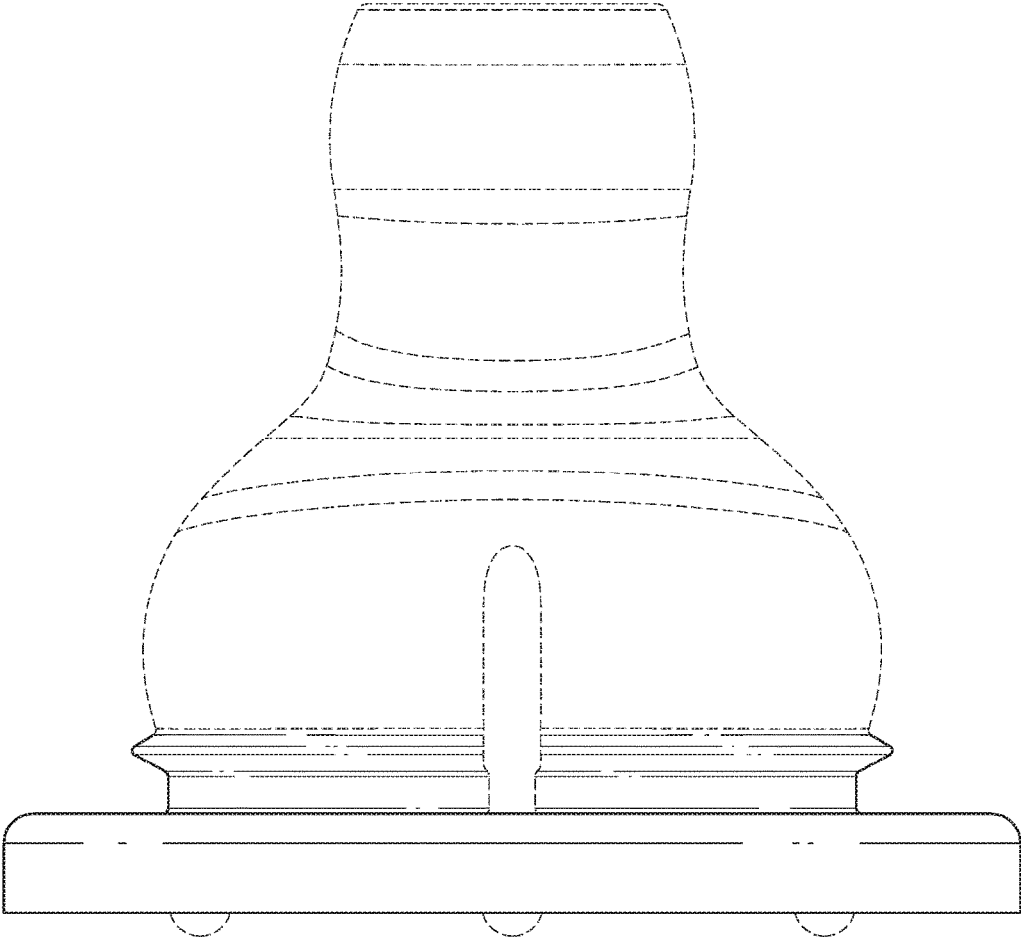


FIG. 2

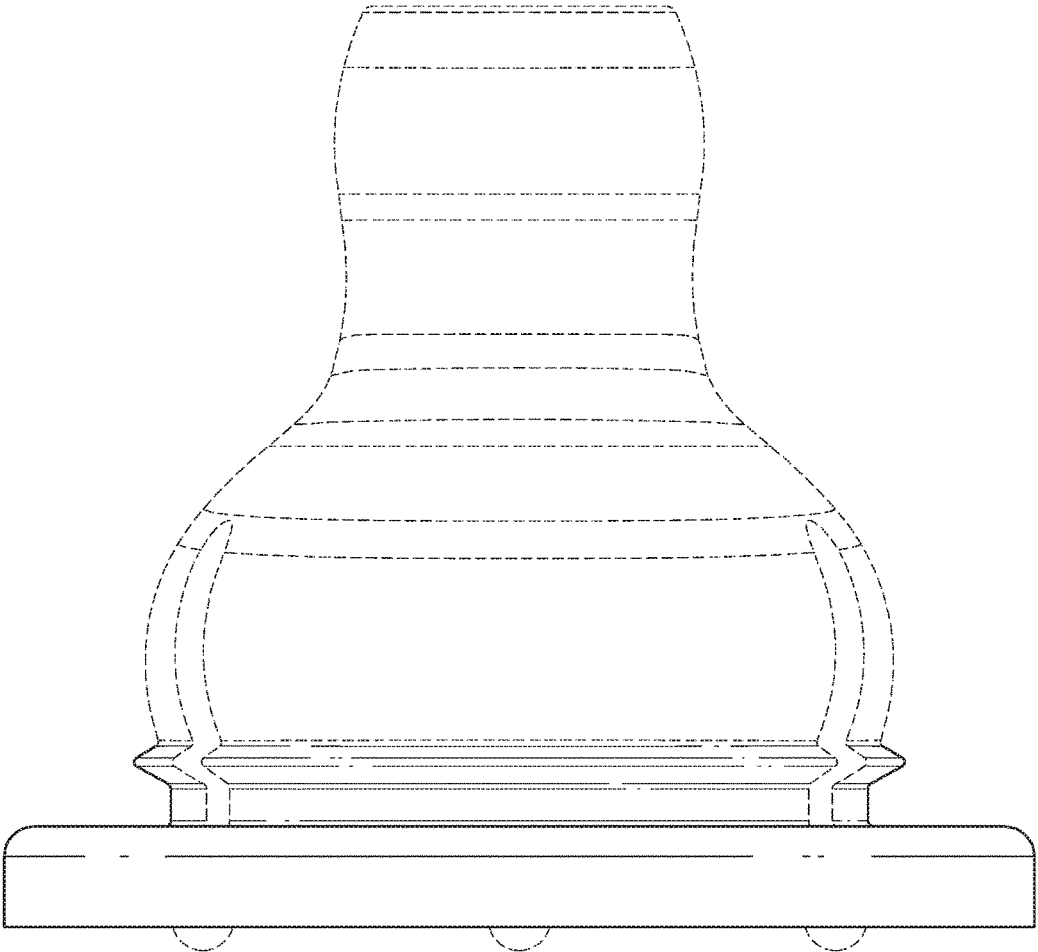


FIG. 3

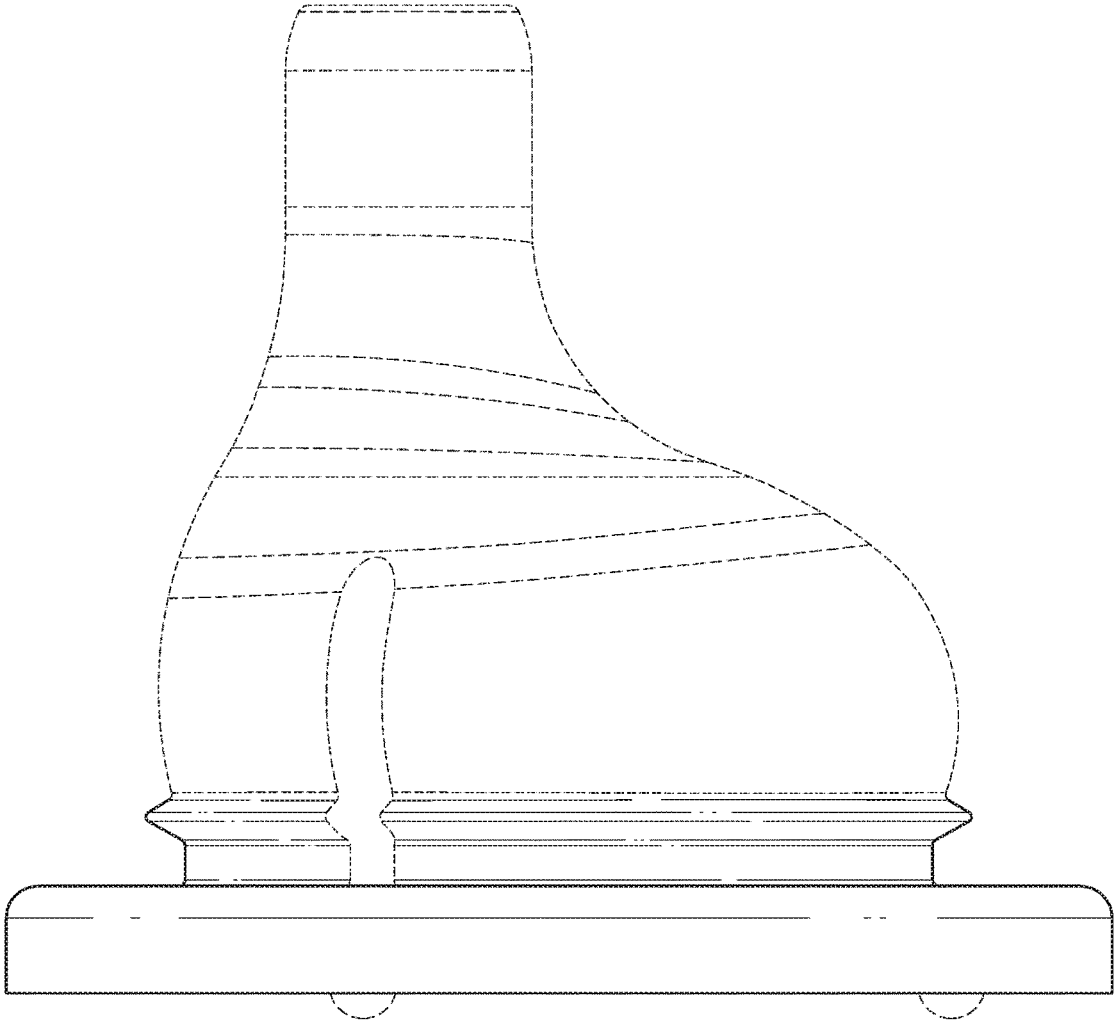


FIG. 4

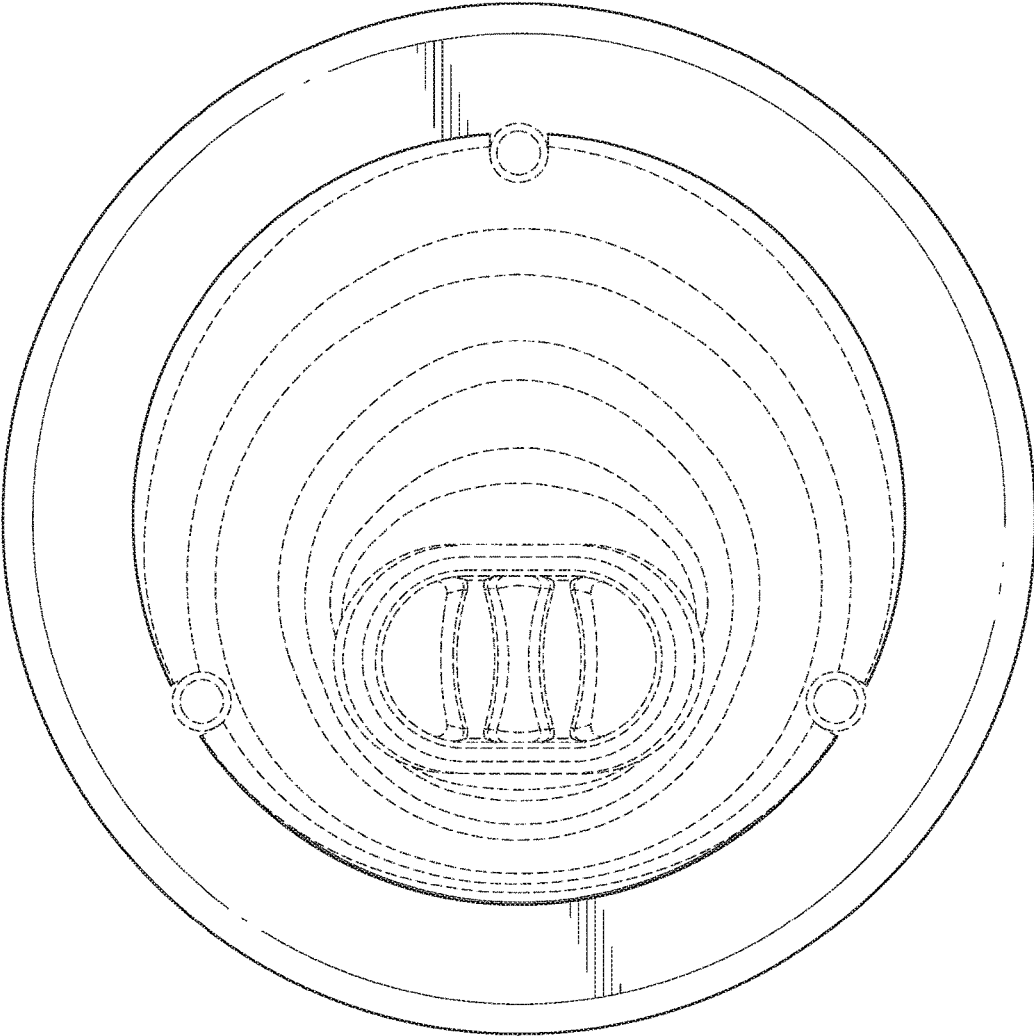


FIG. 5

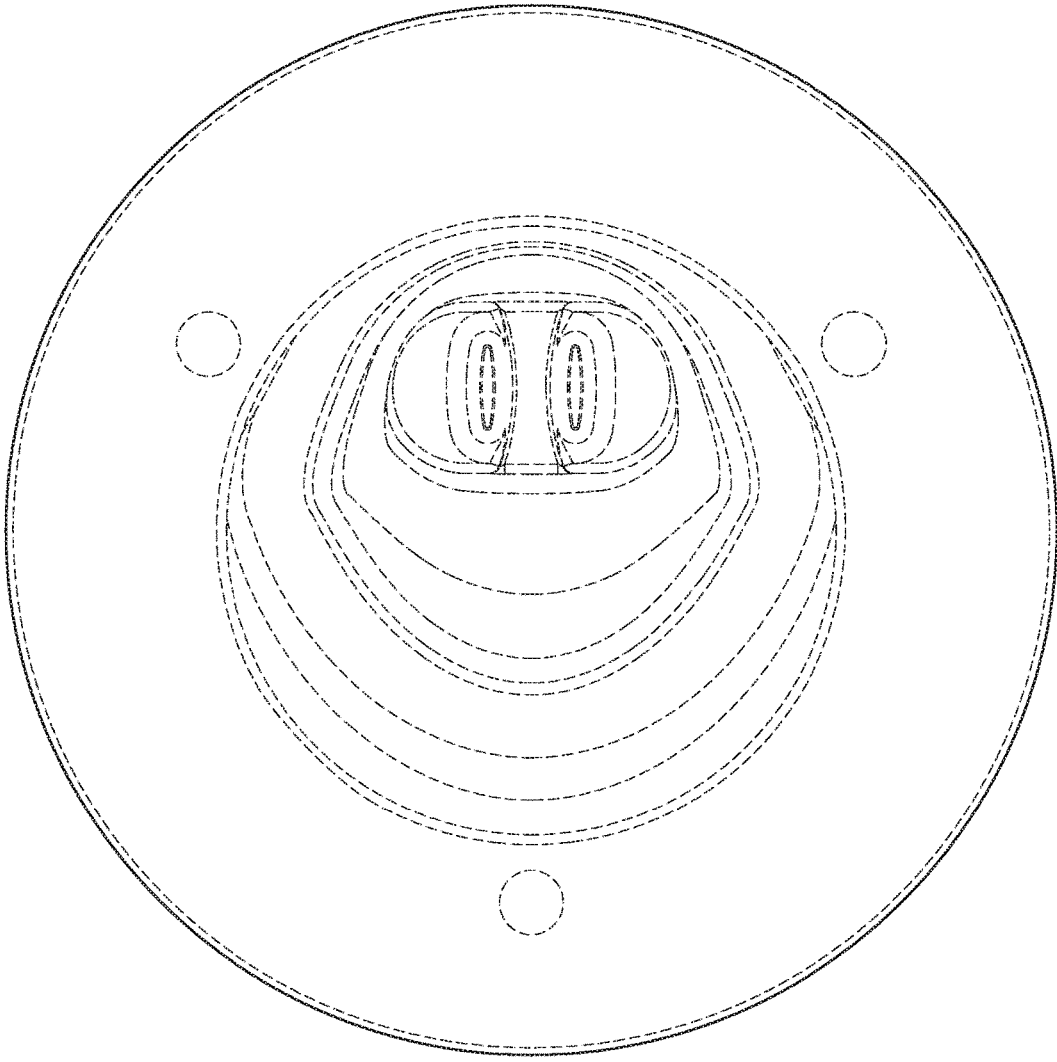


FIG. 6

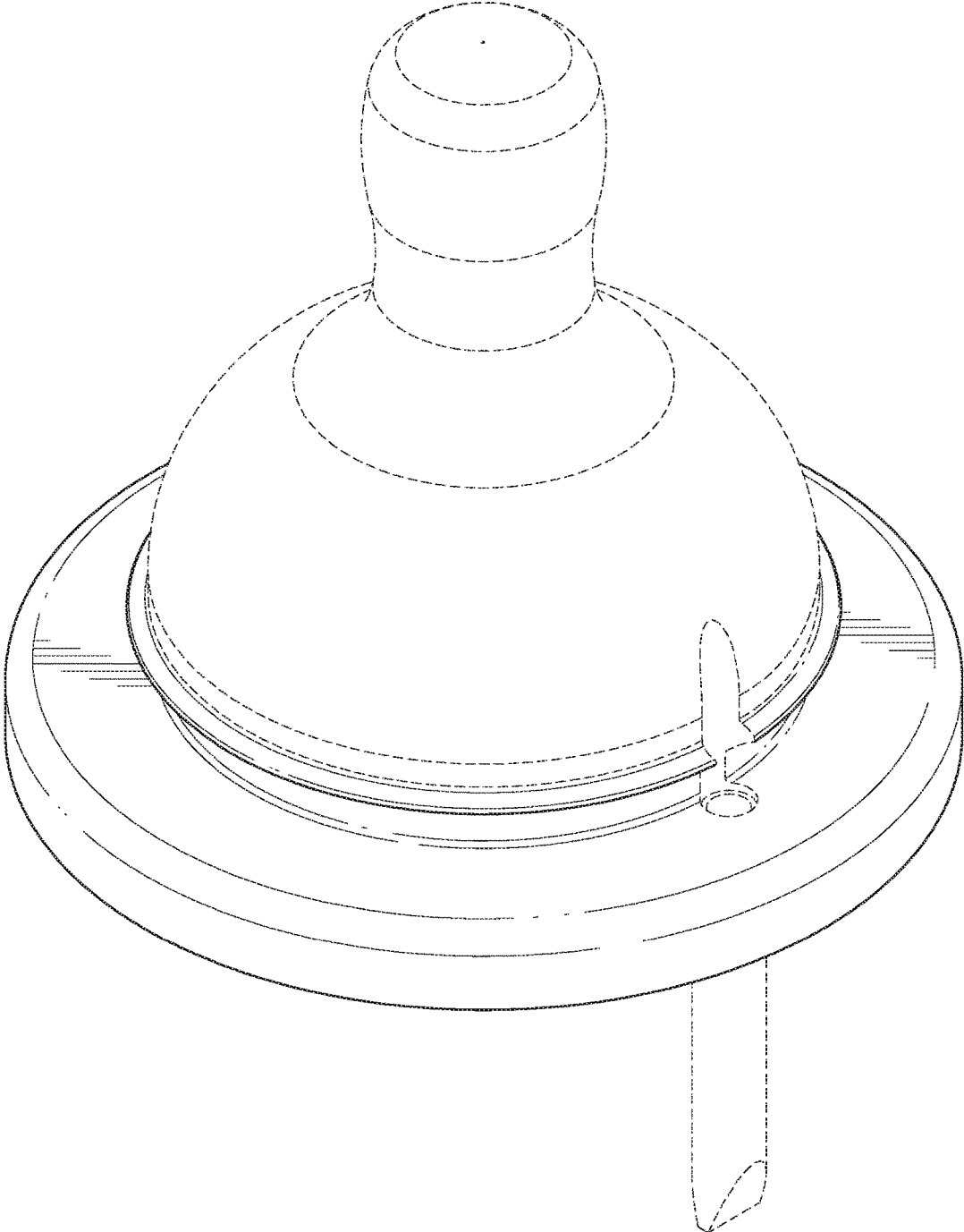


FIG. 7

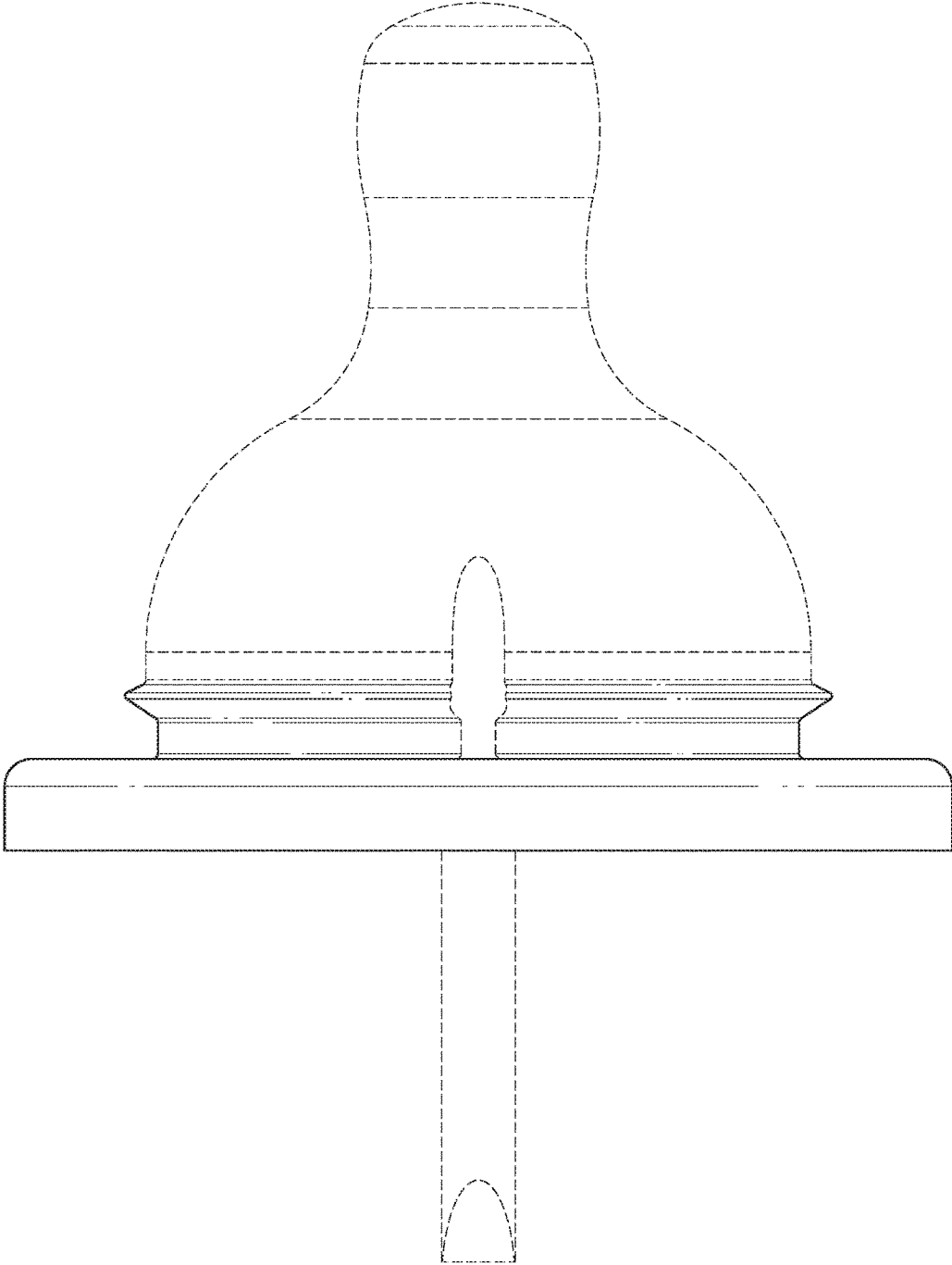


FIG. 8

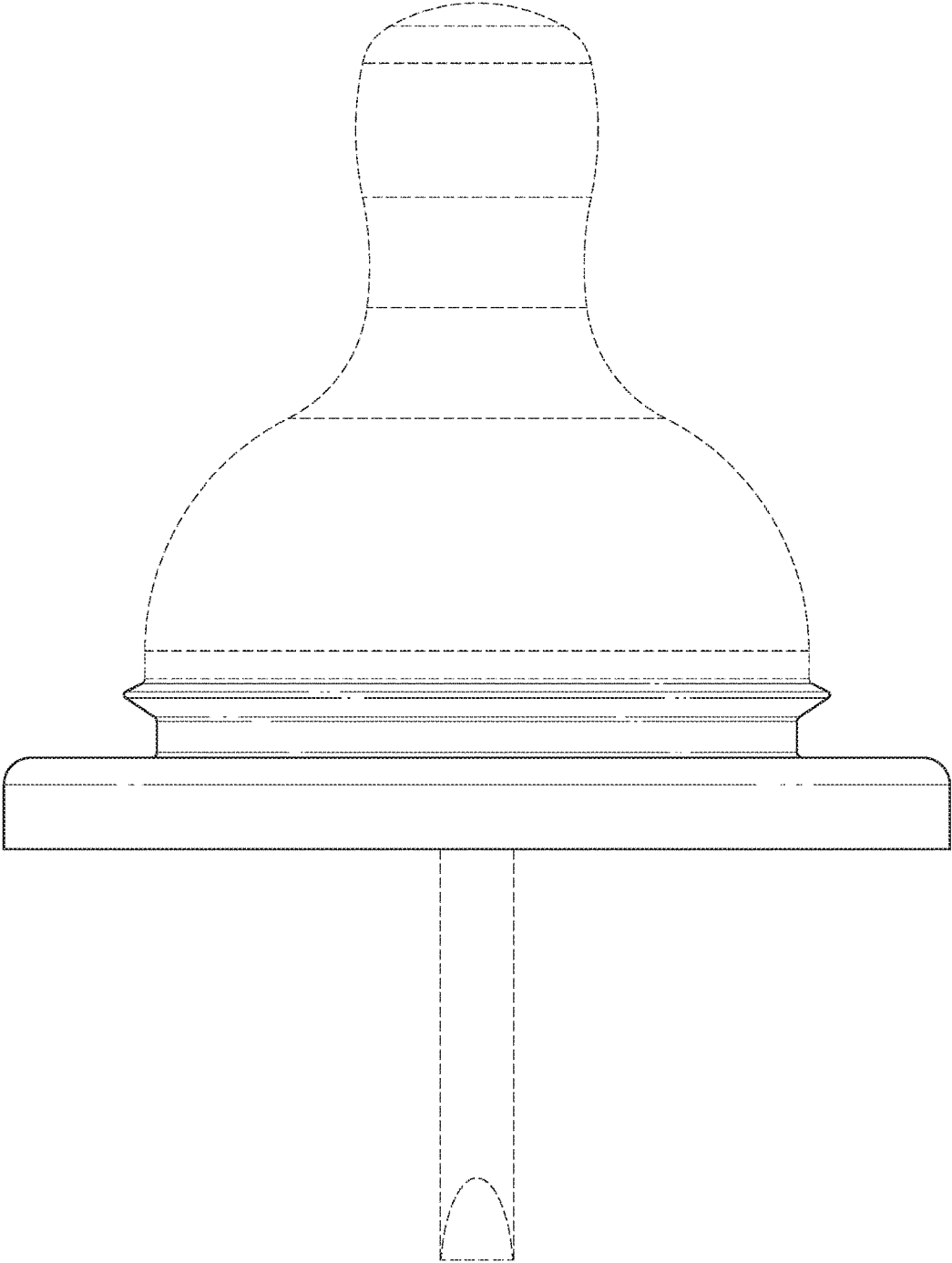


FIG. 9

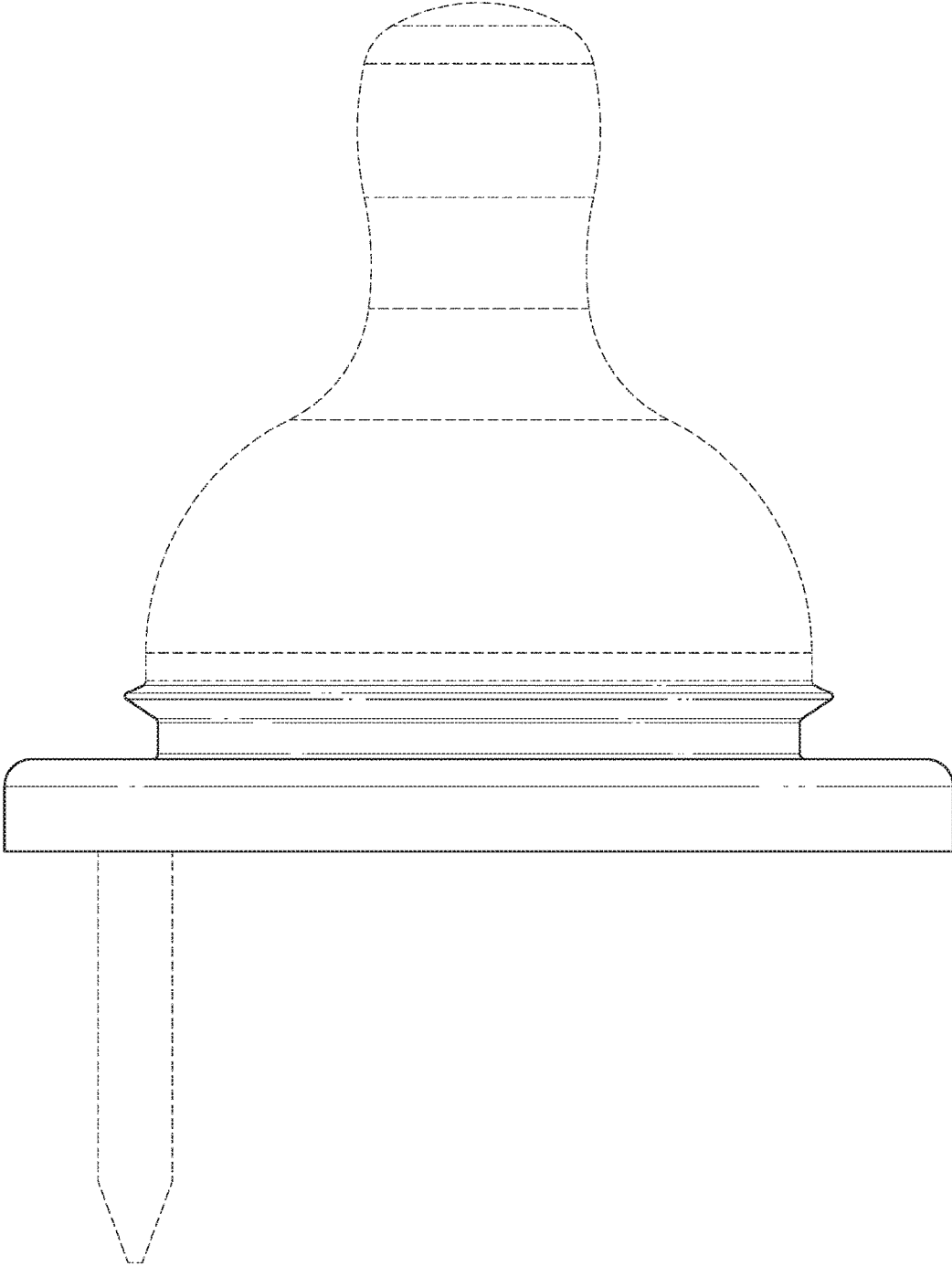


FIG. 10

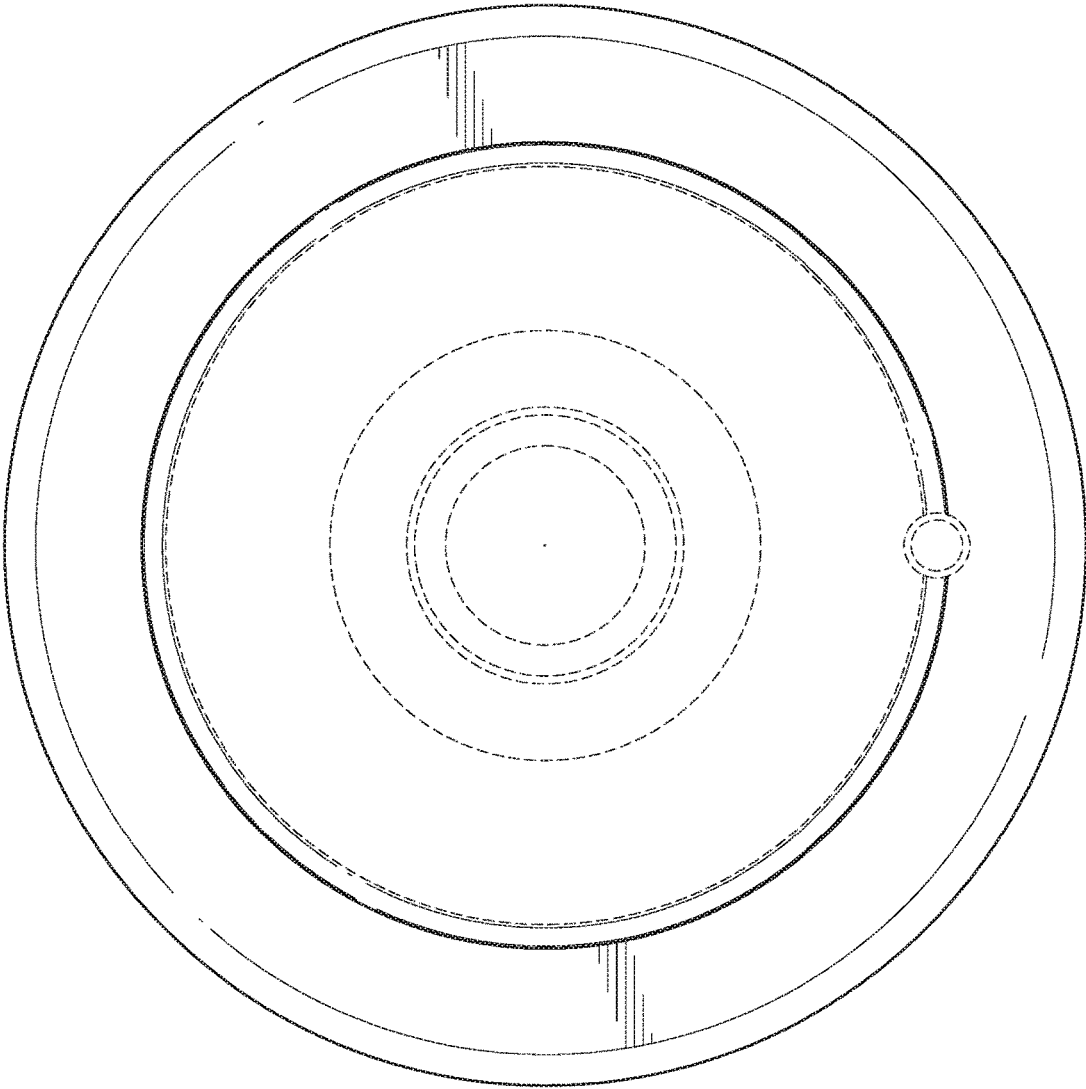


FIG. 11

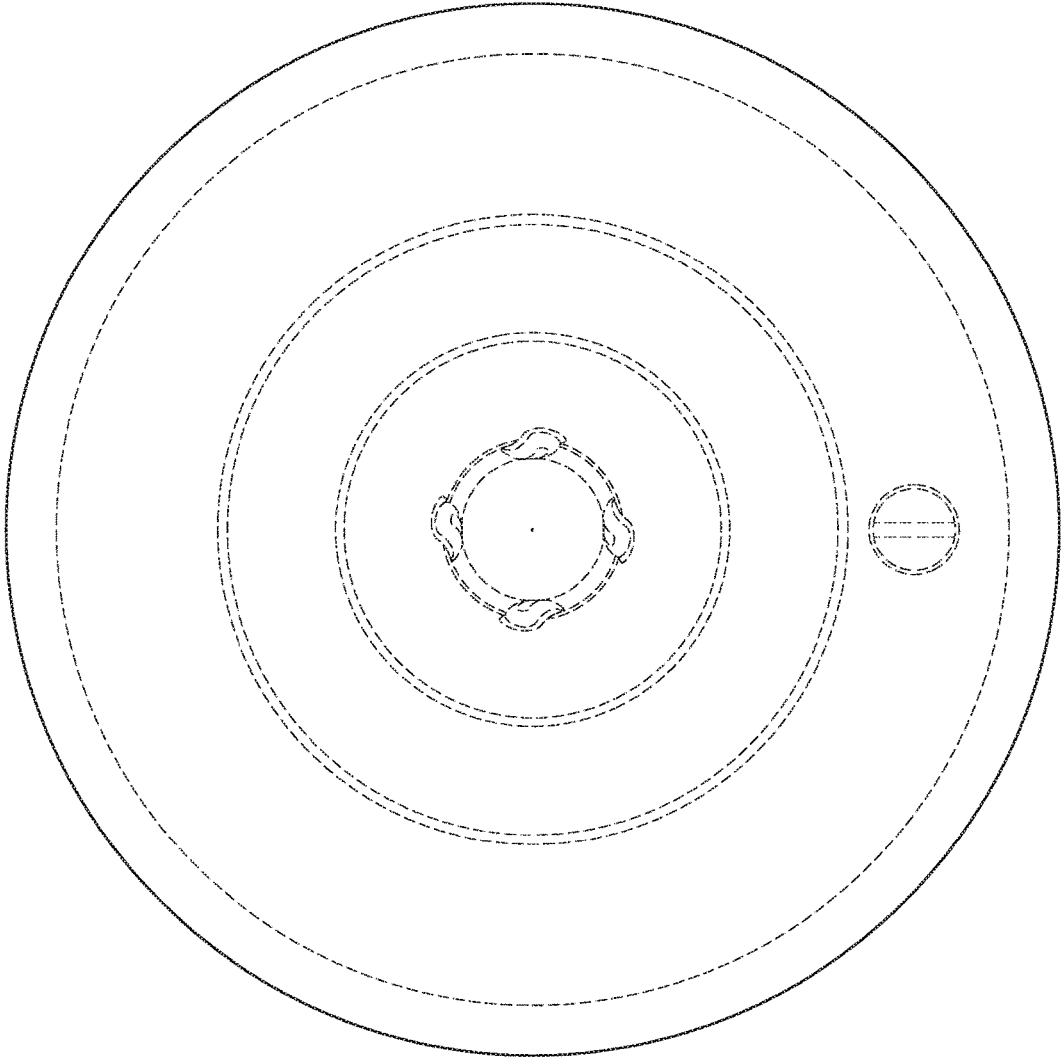


FIG. 12