



US00D846329S

(12) **United States Design Patent**
Zimmermann

(10) **Patent No.:** **US D846,329 S**

(45) **Date of Patent:** **** Apr. 23, 2019**

- (54) **COFFEE MAKER**
- (71) Applicant: **Carrera Brands Limited**, Kowloon (HK)
- (72) Inventor: **Dirk Hagen Zimmermann**, Dusseldorf (DE)
- (73) Assignee: **Carrera Brands Limited** (DE)
- (**) Term: **15 Years**
- (21) Appl. No.: **29/594,937**

D229,897 S *	1/1974	Martin	D7/309
D240,386 S *	7/1976	Albeau	D7/309
4,721,034 A *	1/1988	Shimomura	A47J 31/047
				99/280
D489,214 S *	5/2004	Noda	D7/309
D496,213 S *	9/2004	Midden	D7/309
D507,449 S *	7/2005	Burton	D7/309
D552,402 S *	10/2007	Schwamkrug	D7/309
D610,857 S *	3/2010	Pateman	D7/306
D712,188 S *	9/2014	Averty	D7/309
D718,972 S *	12/2014	Jorgensen	D7/309
D731,223 S *	6/2015	Hatherell	D7/306
D793,791 S *	8/2017	McDonald	D7/306
D816,383 S *	5/2018	Liang	D7/310

* cited by examiner

Primary Examiner — Marianne N Pandozzi

(74) *Attorney, Agent, or Firm* — Greenberg Traurig, LLP

- (22) Filed: **Feb. 23, 2017**
- (30) **Foreign Application Priority Data**

Aug. 24, 2016 (EM) 003351535-0001

- (51) **LOC (11) Cl.** **07-01**
- (52) **U.S. Cl.**

USPC **D7/310**; D7/311; D7/309

- (58) **Field of Classification Search**
 - USPC D7/300, 309–311, 306–308, 305;
222/146.6, 185.1, 135; 99/295, 273, 304,
99/288, 279, 307, 283
 - CPC A47J 31/46; A47J 31/407; A47J 31/50;
A47J 31/18; A47J 31/00; A47J 27/04;
A47J 31/0573; A47J 31/52; A47J
31/0642; A47J 31/3628; A47J 31/445
- See application file for complete search history.

- (56) **References Cited**

U.S. PATENT DOCUMENTS

D220,579 S *	4/1971	Wickenberg	D7/309
3,592,125 A *	7/1971	Tolmie	A47J 31/0573
				392/467

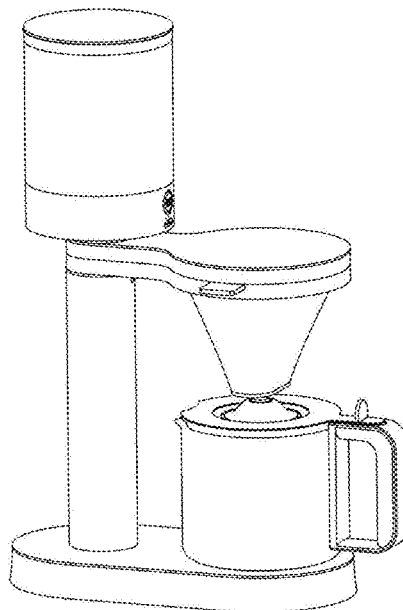
(57) **CLAIM**

The ornamental design for a coffee maker, as shown and described.

DESCRIPTION

FIG. 1 is a front, left side perspective view of a coffee maker showing my new design;
 FIG. 2 is a left side elevational view thereof;
 FIG. 3 is a right side elevational view thereof;
 FIG. 4 is a front side elevational view thereof;
 FIG. 5 is a rear side elevational view thereof;
 FIG. 6 is a top plan view thereof; and,
 FIG. 7 is a bottom plan view thereof.

1 Claim, 7 Drawing Sheets



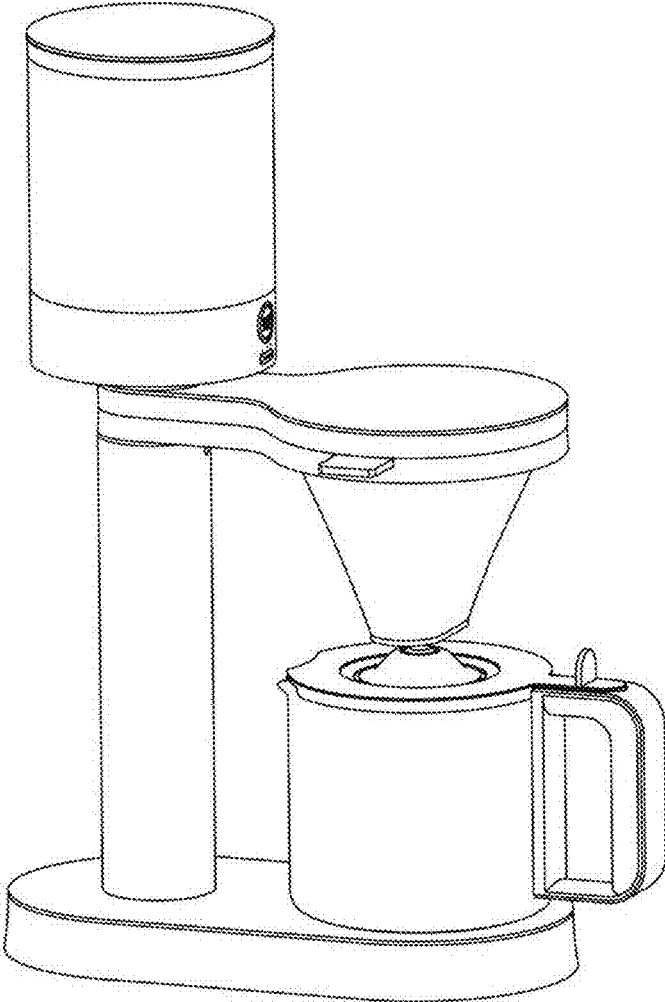


FIG. 1

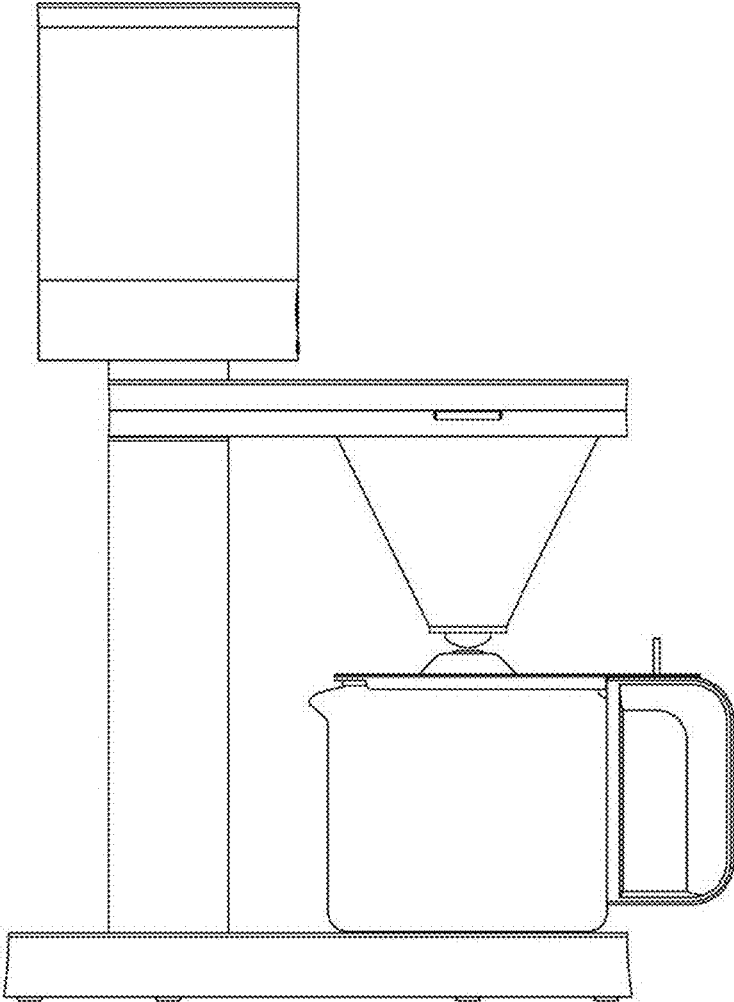


FIG. 2

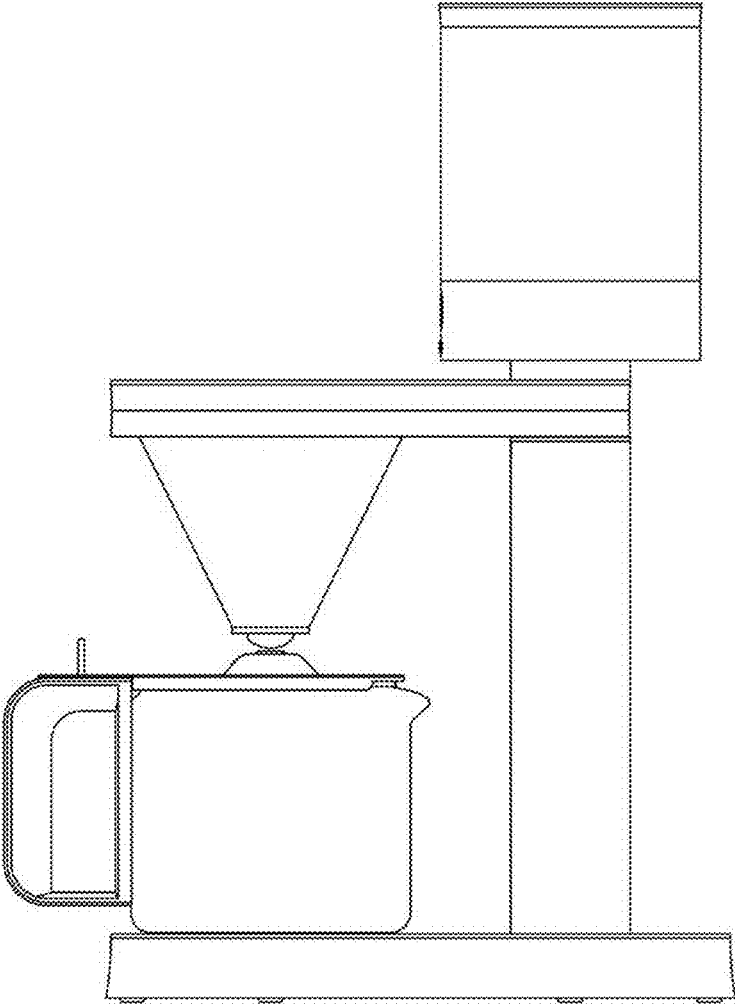


FIG. 3

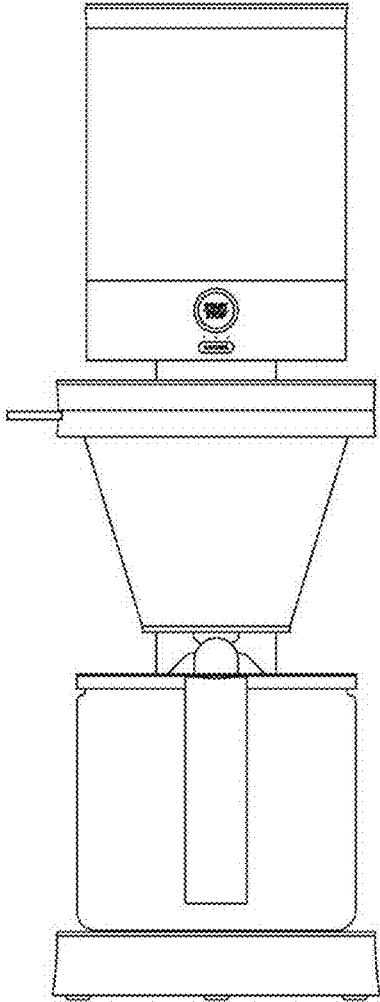


FIG. 4

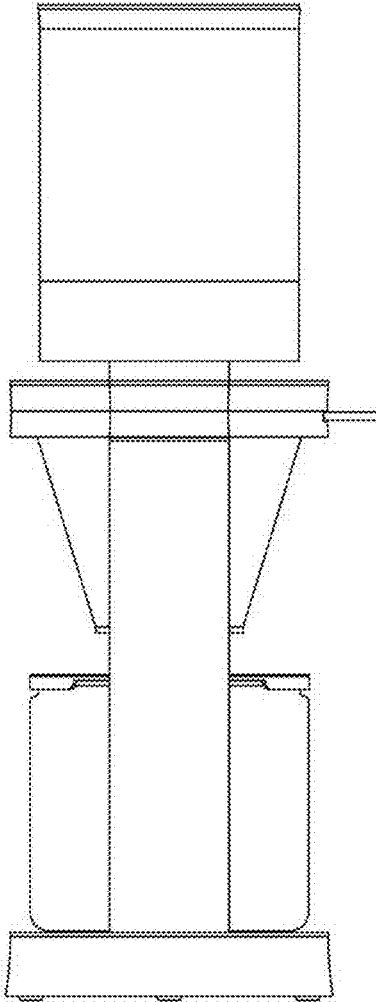


FIG. 5

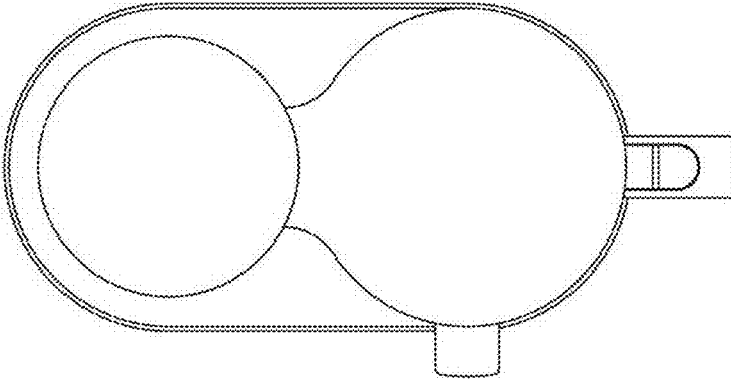


FIG. 6

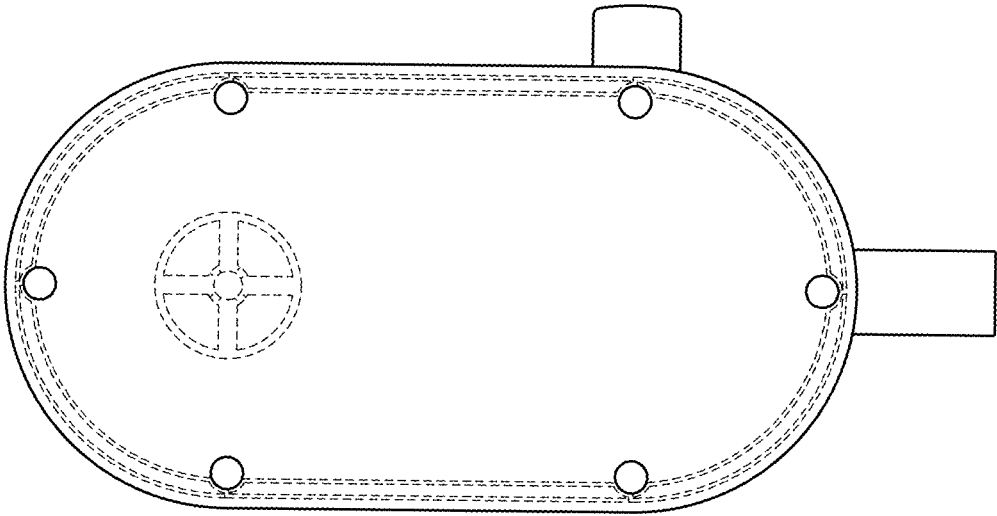


FIG. 7