



US00D913852S

(12) **United States Design Patent** (10) **Patent No.:** **US D913,852 S**
Wraith et al. (45) **Date of Patent:** **** Mar. 23, 2021**

(54) **MOTOR VEHICLE, TOY REPLICA, AND/OR OTHER REPLICA**

(71) Applicant: **Ford Global Technologies, LLC**, Dearborn, MI (US)
(72) Inventors: **Paul Wraith**, West Bloomfield, MI (US); **Daniel J. Kangas**, Livonia, MI (US); **Anthony Meyer**, Royal Oak, MI (US); **Martin B. Coons**, Detroit, MI (US); **Joseph F. Denatale, Jr.**, Royal Oak, MI (US); **Daniel C. Broaddus**, Novi, MI (US)

(73) Assignee: **Ford Global Technologies, LLC**, Dearborn, MI (US)

(**) Term: **15 Years**

(21) Appl. No.: **29/711,427**

(22) Filed: **Oct. 31, 2019**

(51) **LOC (13) Cl.** **12-08**

(52) **U.S. Cl.** **D12/91**

(58) **Field of Classification Search**

USPC D12/86, 90-92, 88; D21/424, 433, 434; 296/181.1-181.5, 183.1
CPC B62D 25/00; B62D 25/06; B62D 33/00; B62D 35/00

See application file for complete search history.

(56) **References Cited**

U.S. PATENT DOCUMENTS

D801,860 S *	11/2017	Piscitelli	D12/91
D810,626 S *	2/2018	Macey	D12/91
D827,495 S *	9/2018	Piscitelli	D12/91
D840,270 S *	2/2019	Goodrich	D12/91
D840,271 S *	2/2019	Goodrich	D12/91

* cited by examiner

Primary Examiner — Melody N Brown

(74) *Attorney, Agent, or Firm* — Michael Spenner

(57) **CLAIM**

The ornamental design for a motor vehicle, toy replica, and/or other replica, as shown and described.

DESCRIPTION

FIG. 1 is a front elevational view of a motor vehicle, toy replica, and/or other replica showing our new design; FIG. 2 is a rear elevational view thereof; FIG. 3 is a left side elevational view thereof; FIG. 4 is a right side elevational view thereof; FIG. 5 is a top plan view thereof. FIG. 6 is a top, front, and left side perspective view thereof; and, FIG. 7 is a top, rear, and left side perspective view thereof.

1 Claim, 7 Drawing Sheets



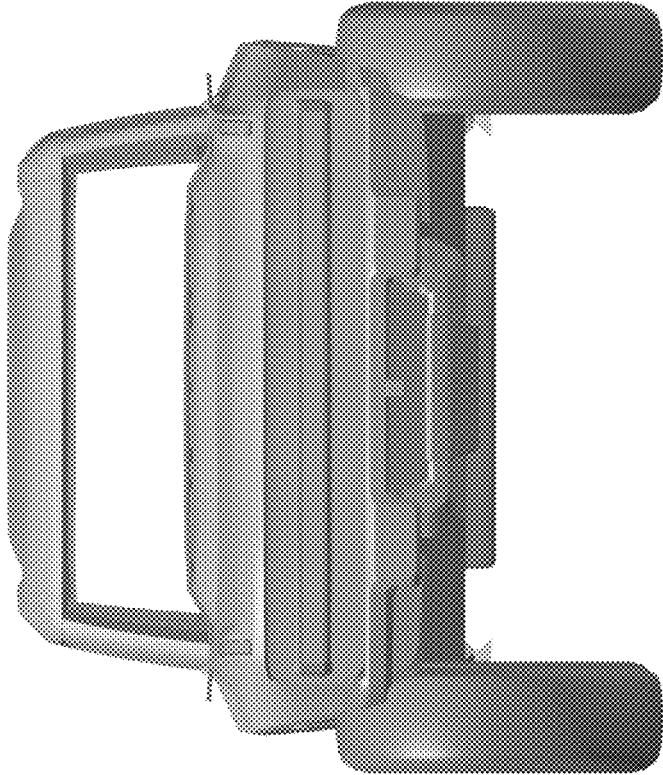


Fig.1

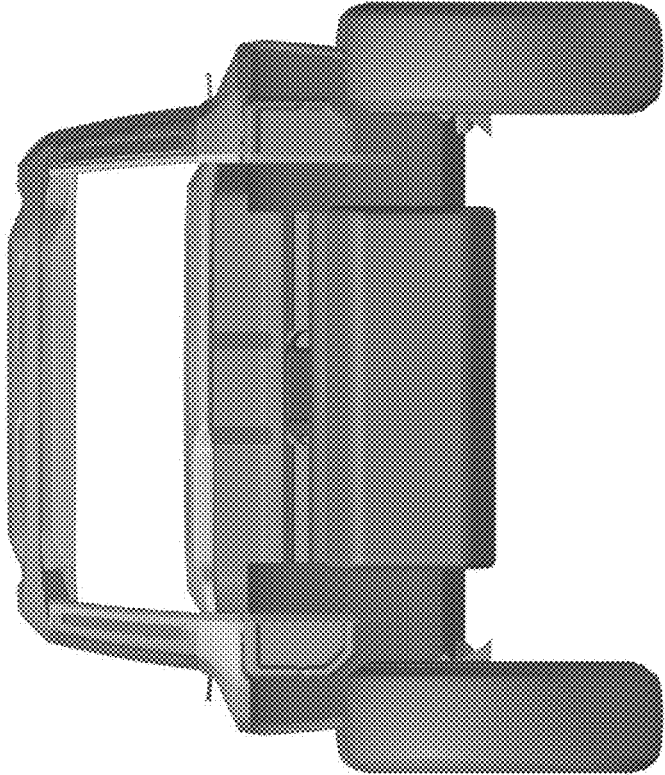


Fig. 2

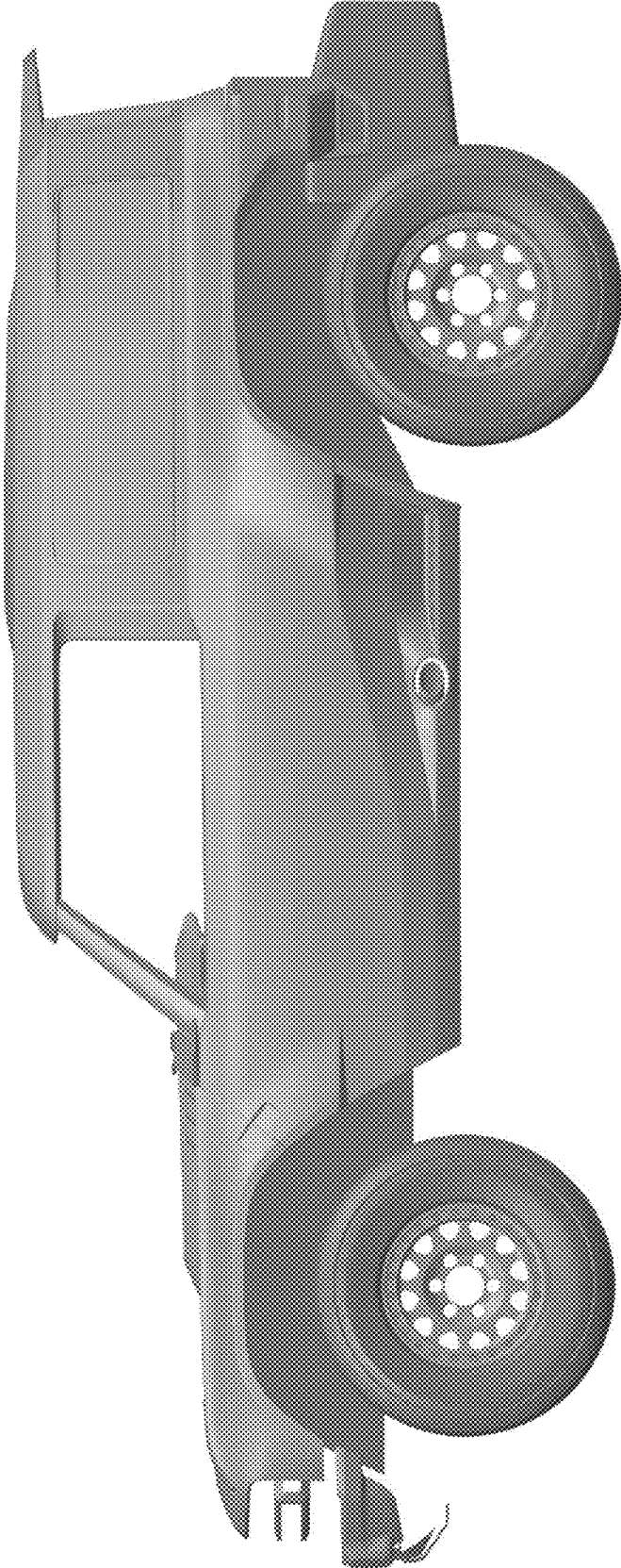


Fig. 3

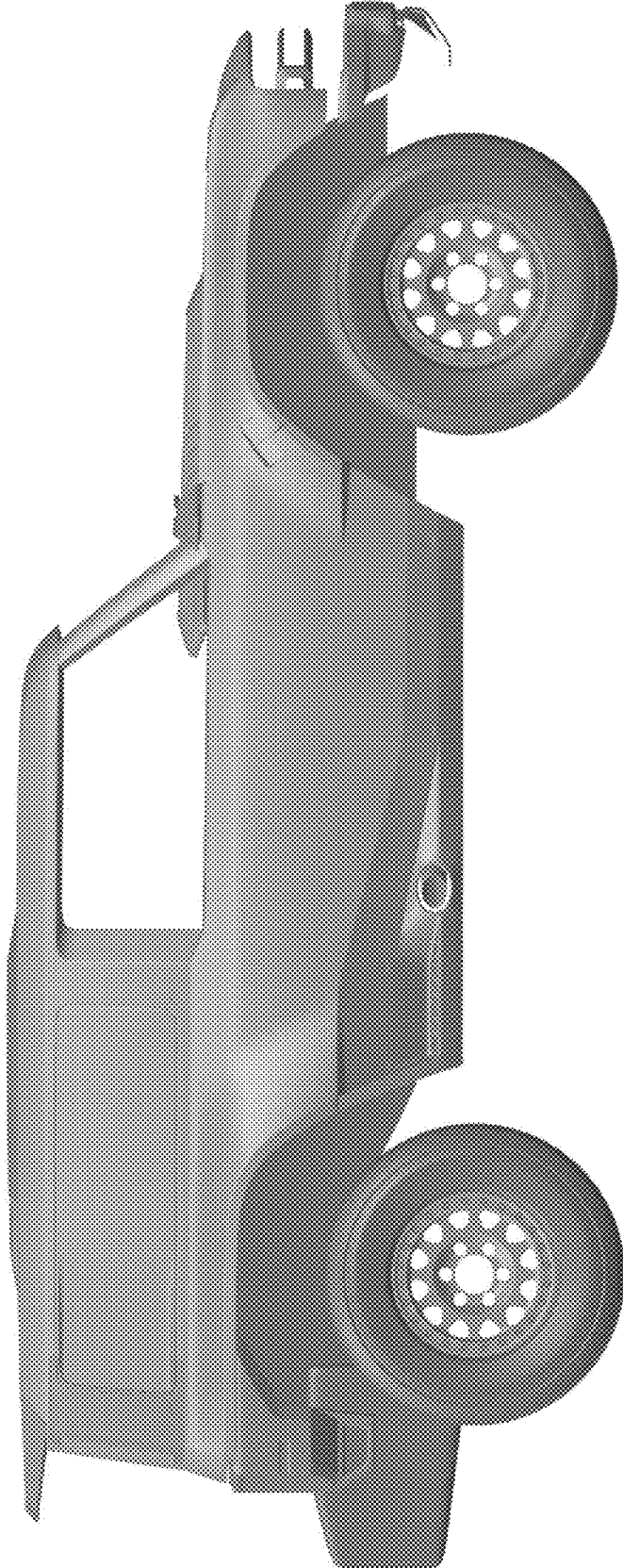


Fig.4



Fig. 5

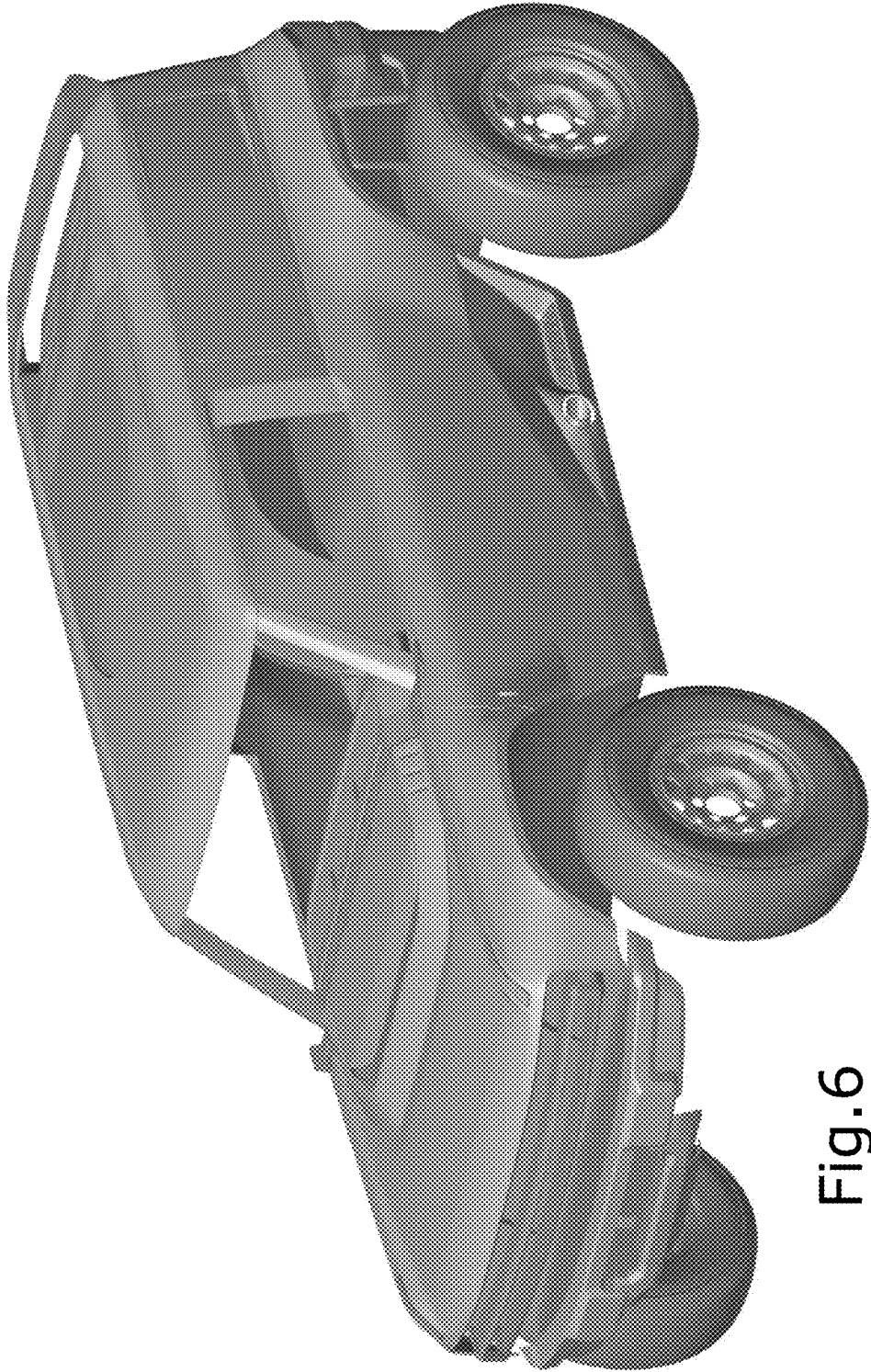


Fig.6

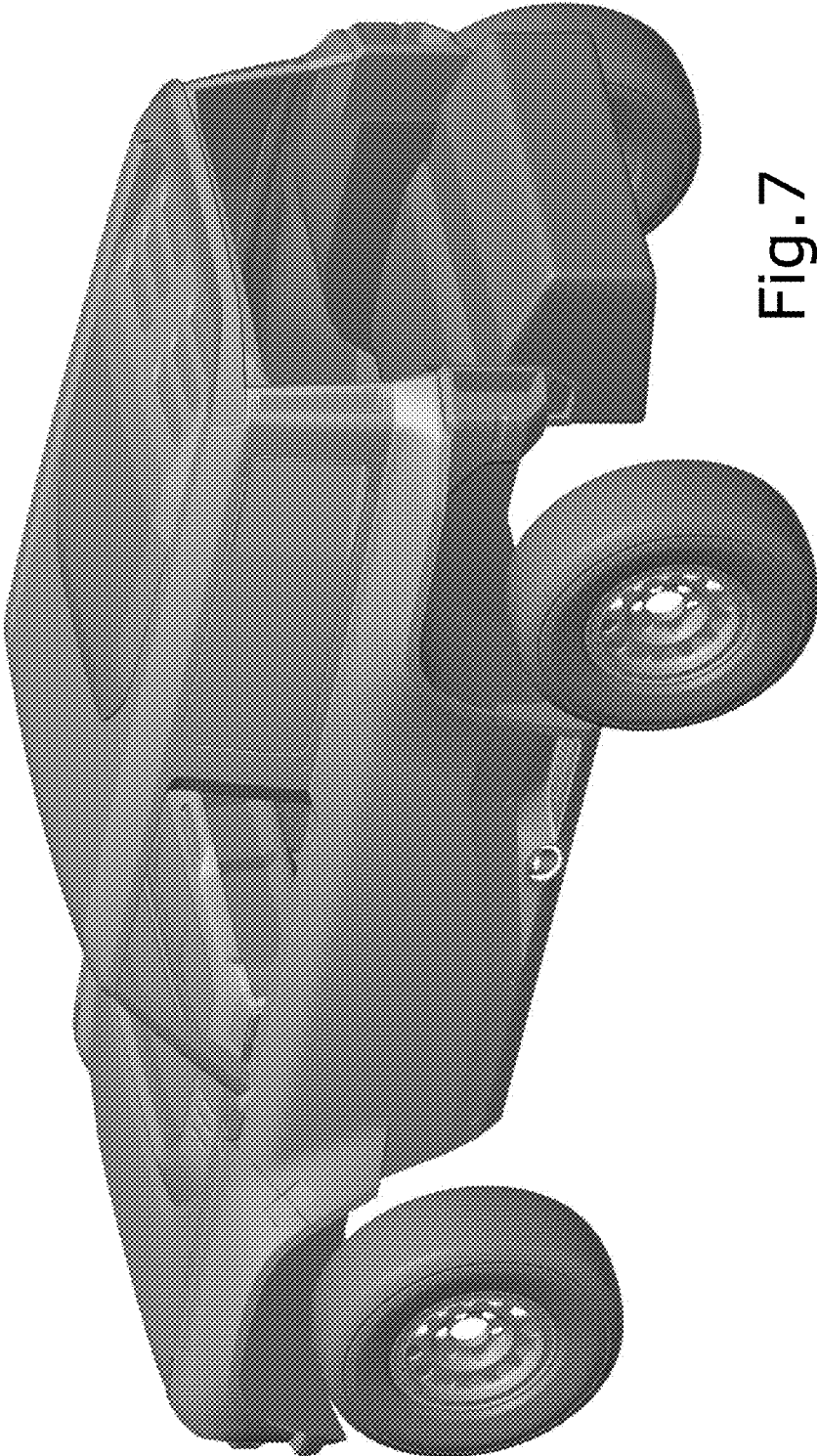


Fig. 7