



(12) **United States Design Patent**  
**Ninov et al.**

(10) **Patent No.:** **US D909,938 S**  
(45) **Date of Patent:** **\*\* Feb. 9, 2021**

- (54) **AIR INLET BEZEL**
- (71) Applicants: **Deyan Ninov**, Royal Oak, MI (US);  
**Michael Gillam**, Oxford, MI (US);  
**Gregory A Howell**, Farmington, MI (US)
- (72) Inventors: **Deyan Ninov**, Royal Oak, MI (US);  
**Michael Gillam**, Oxford, MI (US);  
**Gregory A Howell**, Farmington, MI (US)
- (73) Assignee: **FCA US LLC**, Auburn Hills, MI (US)
- (\*\*) Term: **15 Years**

5,564,750 A *	10/1996	Bajorek	.....	B62D 25/188
				280/848
D568,797 S *	5/2008	Elwell	.....	D12/181
D672,705 S *	12/2012	Kennedy	.....	D12/412
D746,725 S *	1/2016	Stopka	.....	D12/163
D754,044 S *	4/2016	Scheinhuette	.....	D12/196
D756,273 S *	5/2016	Platto	.....	D12/163
D758,257 S *	6/2016	Platto	.....	D12/163
D805,975 S *	12/2017	Dharmawan	.....	D12/181
D820,176 S *	6/2018	Hamburger	.....	D12/173
D823,185 S *	7/2018	Yates	.....	D12/163
D830,258 S *	10/2018	Moffett	.....	D12/181
D836,507 S *	12/2018	Nguyen	.....	D12/190
D840,889 S *	2/2019	Torres	.....	D12/196
D850,339 S *	6/2019	Lu	.....	D12/181
D868,652 S *	12/2019	Gifford	.....	D12/173
D887,329 S *	6/2020	Zipfel	.....	D12/173

\* cited by examiner

- (21) Appl. No.: **29/673,416**
- (22) Filed: **Dec. 14, 2018**

*Primary Examiner* — Susan E Krakower  
*Assistant Examiner* — Jerry Shiuan-Hua Hsu  
(74) *Attorney, Agent, or Firm* — Ralph E. Smith

**Related U.S. Application Data**

- (63) Continuation-in-part of application No. 29/626,566, filed on Nov. 17, 2017, now Pat. No. Des. 836,036.
- (51) **LOC (13) Cl.** ..... **12-16**
- (52) **U.S. Cl.**  
USPC ..... **D12/181**
- (58) **Field of Classification Search**  
USPC ..... D12/86, 163, 164, 169, 173, 175, 177,  
D12/184, 196, 90, 92, 181, 216, 388, 190,  
D12/191, 400, 170, 171, 412, 317  
CPC .... B62D 25/188; B62D 25/08; B62D 25/105;  
B62D 25/12; B60R 19/52; B60R 21/34  
See application file for complete search history.

(57) **CLAIM**

The ornamental design for an air inlet bezel, as shown and described.

**DESCRIPTION**

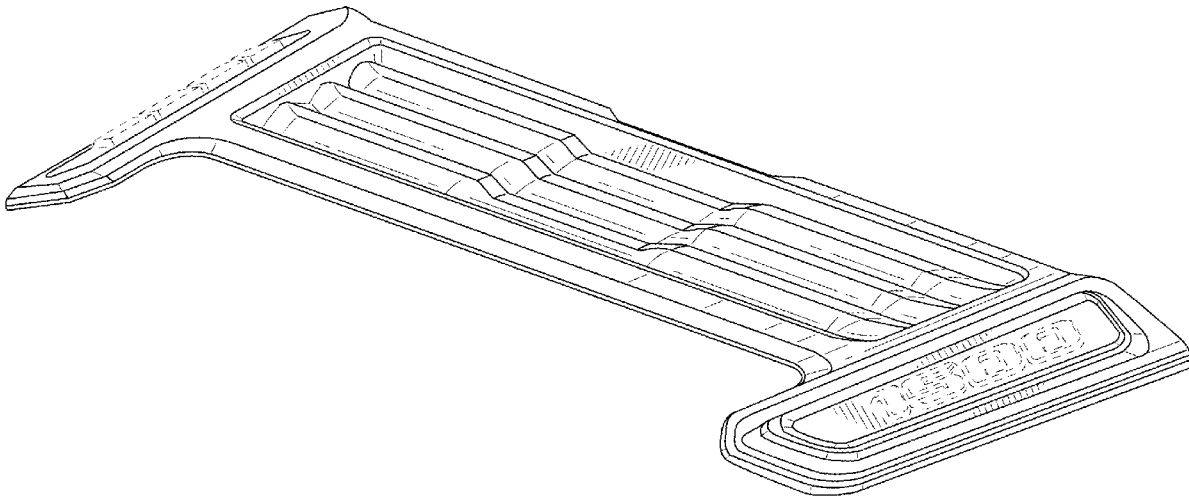
FIG. 1 is a front perspective view of an air inlet bezel showing our new design;  
FIG. 2 is a front view thereof;  
FIG. 3 is a rear view thereof;  
FIG. 4 is a top view thereof;  
FIG. 5 is a bottom view thereof;  
FIG. 6 is a left side view thereof; and,  
FIG. 7 is a right side view thereof.  
The broken lines illustrate portions of the air inlet bezel that form no part of the claimed design.

(56) **References Cited**

**U.S. PATENT DOCUMENTS**

- D290,746 S \* 7/1987 Whitley, II ..... D12/317
- D375,068 S \* 10/1996 Lund ..... D12/183

**1 Claim, 5 Drawing Sheets**



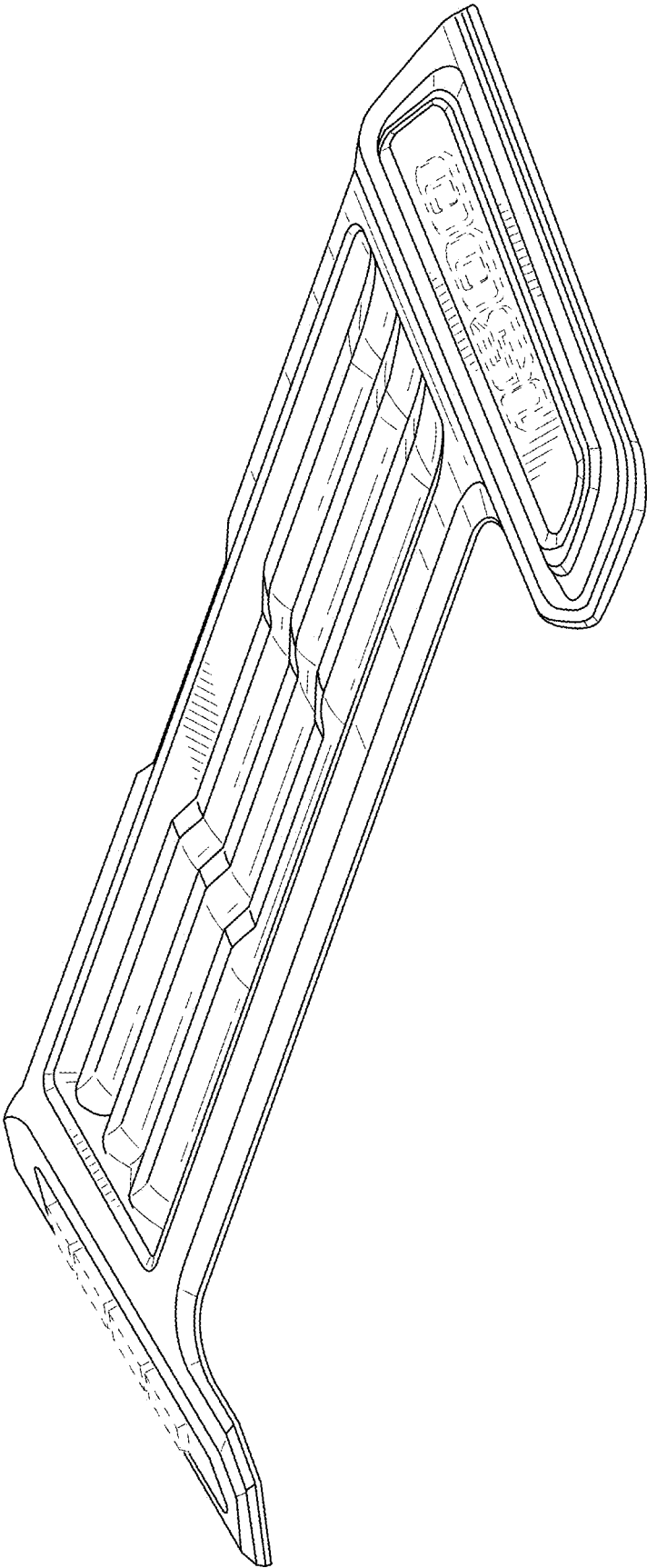


FIG. 1



FIG. 2

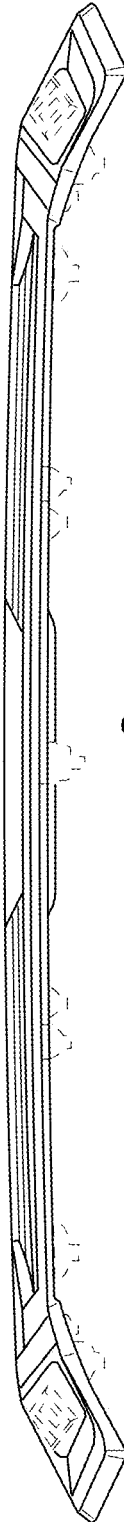


FIG. 3

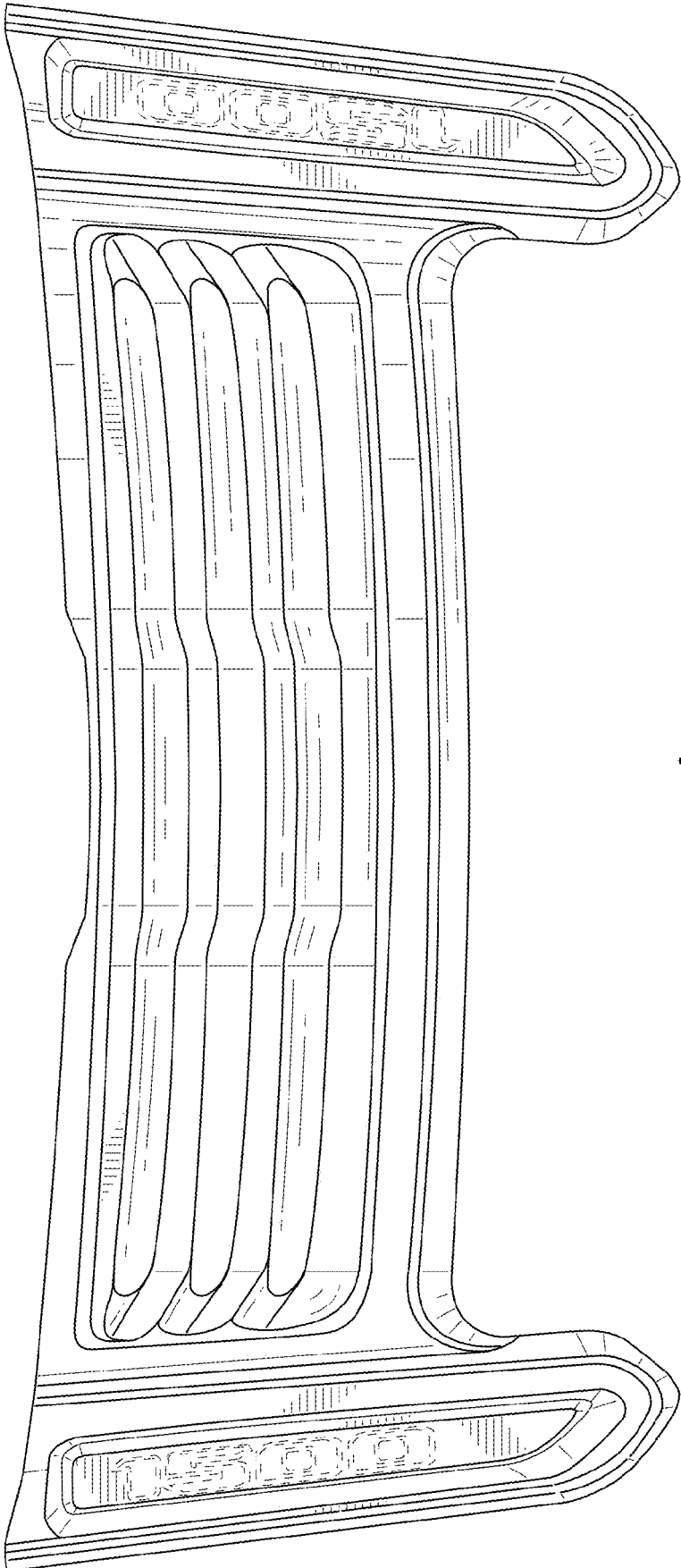


FIG. 4

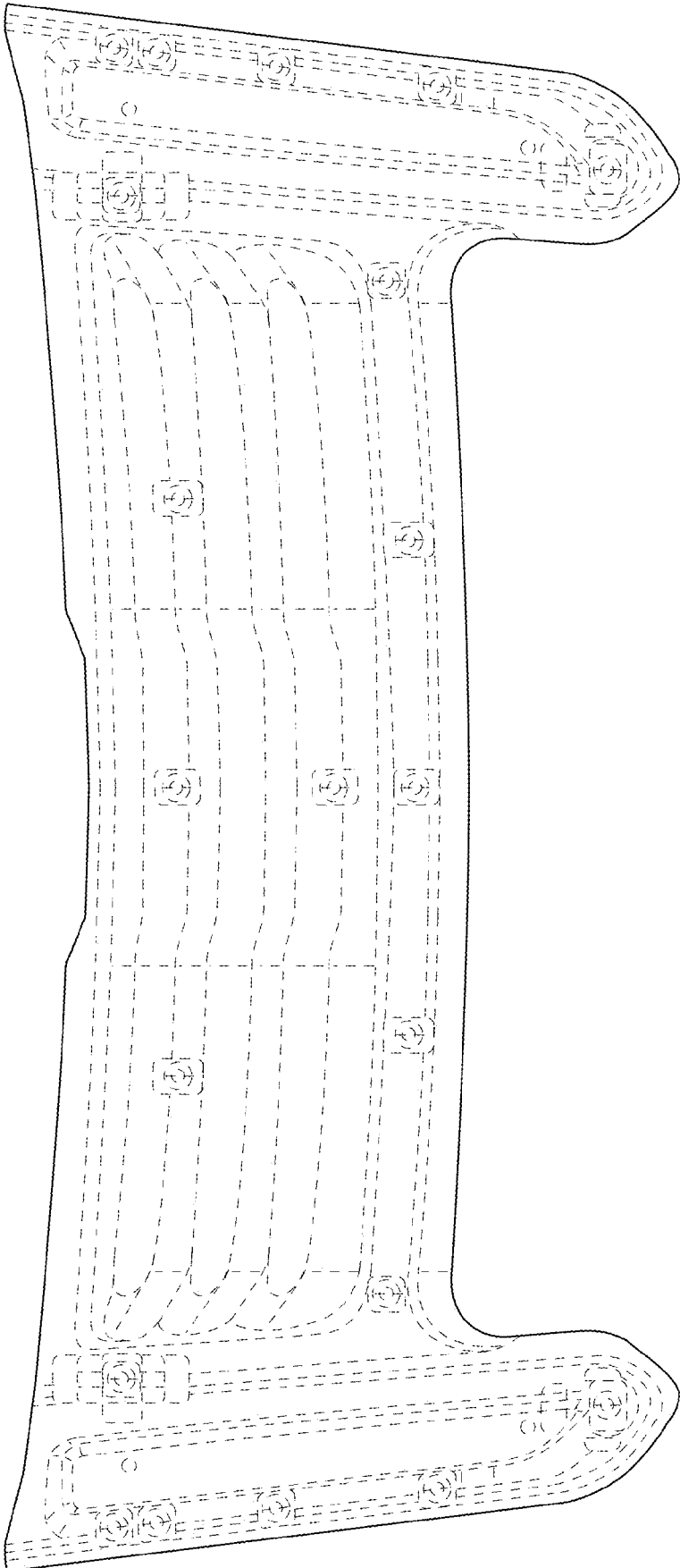


FIG. 5

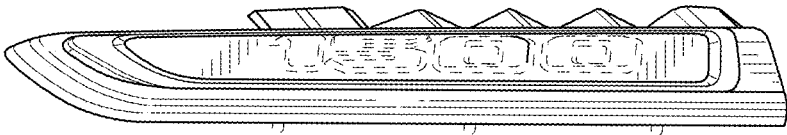


FIG. 6

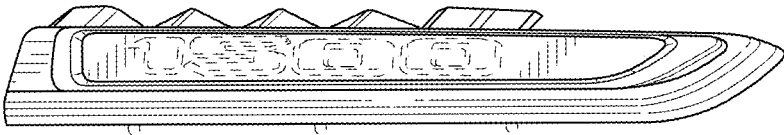


FIG. 7