



US00D452154B1

(12) **United States Design Patent** (10) **Patent No.:** **US D452,154 S**  
**Rhodes et al.** (45) **Date of Patent:** **\*\* Dec. 18, 2001**

- (54) **BEVERAGE COOLER BOX**
- (75) Inventors: **Terrance E. Rhodes, Erie; Brett Lee Schuetz, Thornton; Michael Christopher Cruz; Patricia O. Shibata, both of Denver; Lee Buxton, Longmont; Patrick B. Edson, Lakewood; Raymond Scott Kastanek, Longmont; Gary Lawrence Gresge, Arvada; Stephen Mark Kaczmarek, Golden, all of CO (US)**
- (73) Assignees: **Coors Brewing Company; Graphic Packaging Corporation, both of Golden, CO (US)**

4,530,459	*	7/1985	Maroszek .....	229/117.12	X
4,706,805		11/1987	Becher .....	206/144	
4,777,992		10/1988	Olger .....	150/52	R
4,858,444		8/1989	Scott .....	62/372	
5,020,337		6/1991	Krieg .....	62/464	
5,094,359		3/1992	Demars et al. ....	220/462	
5,101,642		4/1992	Alexandrov .....	62/371	
5,303,863		4/1994	Arasim .....	229/227	
5,495,727		3/1996	Strong et al. ....	62/529	

(\*\*) Term: **14 Years**

(21) Appl. No.: **29/139,015**  
(22) Filed: **Mar. 21, 2001**

- (51) **LOC (7) Cl.** ..... **09-03**
- (52) **U.S. Cl.** ..... **D9/432; D7/605**
- (58) **Field of Search** ..... D7/605; D9/414, D9/420, 424, 430-432; 62/371, 372, 457.1, 457.5; 220/592.02, 592.1, 592.16, 915.1, 915.2; 229/117.12, 117.32, 117.35, 117.22, 117.14, 117.24, 207, 101, 103, 222, 229

(56) **References Cited**

**U.S. PATENT DOCUMENTS**

D. 259,615	*	6/1981	Morris, Jr. ....	D7/605
D. 281,120	*	10/1985	Rabinowitz .....	D3/243
415,980		11/1889	Sachs .	
975,792		11/1910	Pitman .	
2,791,367		5/1957	Mefford .....	229/41
2,810,506		10/1957	Kessler .....	229/31
2,844,299		7/1958	Kessler et al. ....	229/52
2,979,227		4/1961	Norton et al. ....	220/105
3,006,165		10/1961	Mittelberger .....	62/371
3,031,121	*	4/1962	Chase .....	220/915.1
3,119,494		1/1964	Rosenstiel .....	206/46
3,974,658	*	8/1976	Starrett .....	220/592.02 X
4,328,923		5/1982	Graser .....	229/33

\* cited by examiner

*Primary Examiner*—Terry A. Wallace

(74) *Attorney, Agent, or Firm*—Sheridan Ross P.C.

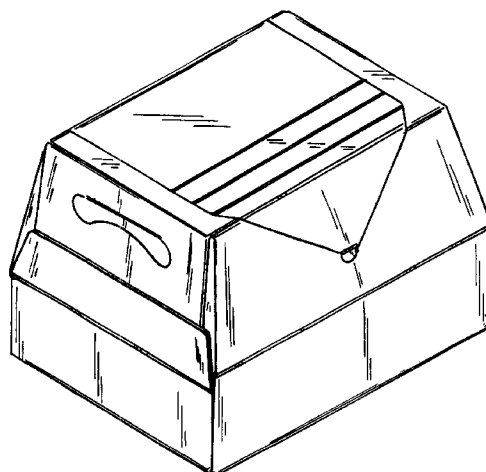
(57) **CLAIM**

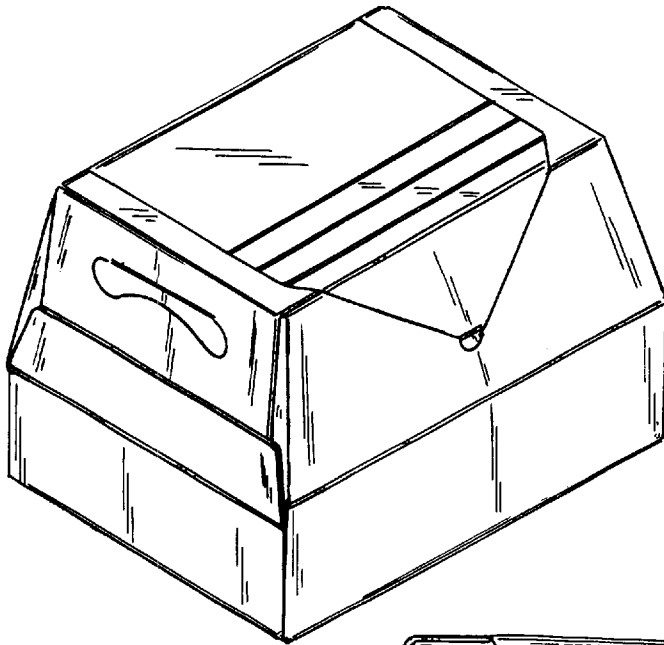
The ornamental design for a beverage cooler box, as shown and described.

**DESCRIPTION**

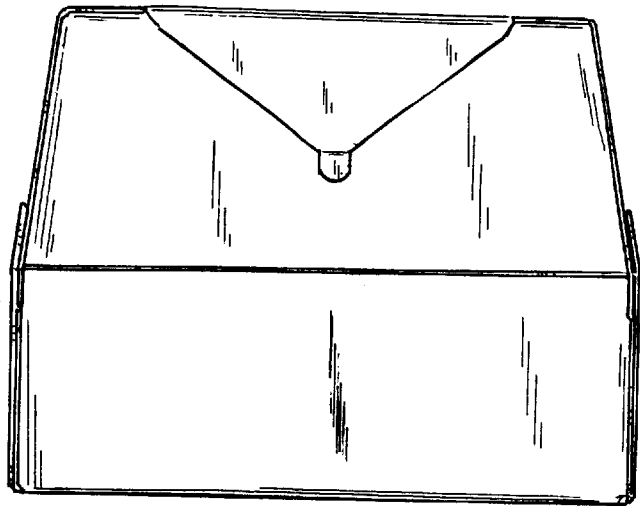
FIG. 1 is a perspective view of the beverage cooler box of the invention, showing my new design;  
 FIG. 2 is a front elevation view of the invention shown in FIG. 1;  
 FIG. 3 is a rear elevation view of the invention shown in FIG. 1;  
 FIG. 4 is a top plan view of the invention shown in FIG. 1;  
 FIG. 5 is a bottom plan view of the invention shown in FIG. 1;  
 FIG. 6 is a side elevation view of the invention shown in FIG. 1, the right and left side elevation views being symmetrical and identical;  
 FIG. 7 is a perspective view of the invention shown in an open position;  
 FIG. 8 is a front elevation view of the invention shown in FIG. 7;  
 FIG. 9 is a rear elevation view of the invention shown in FIG. 7;  
 FIG. 10 is a top plan view of the invention shown in FIG. 7;  
 FIG. 11 is a bottom plan view of the invention shown in FIG. 7; and,  
 FIG. 12 is a left side elevation view of the invention shown in FIG. 7; the right side elevation view being symmetrical and identical.

**1 Claim, 5 Drawing Sheets**

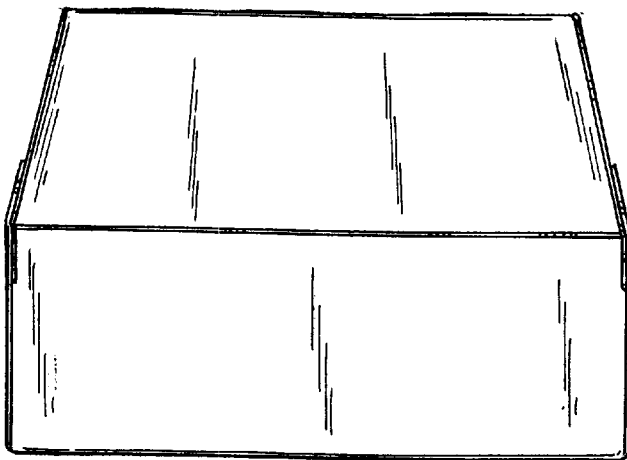




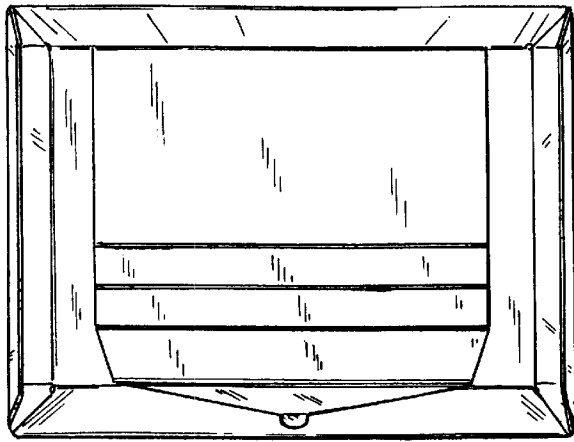
*Fig-1*



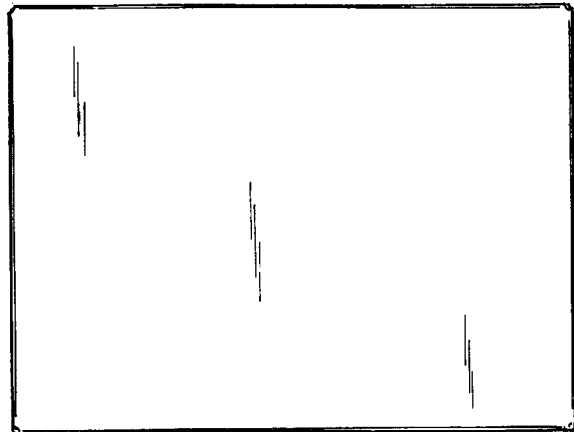
*Fig-2*



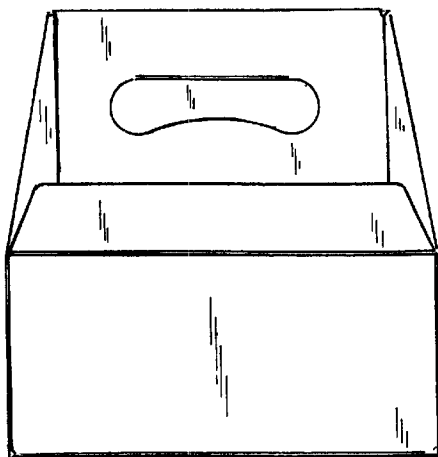
*Fig-3*



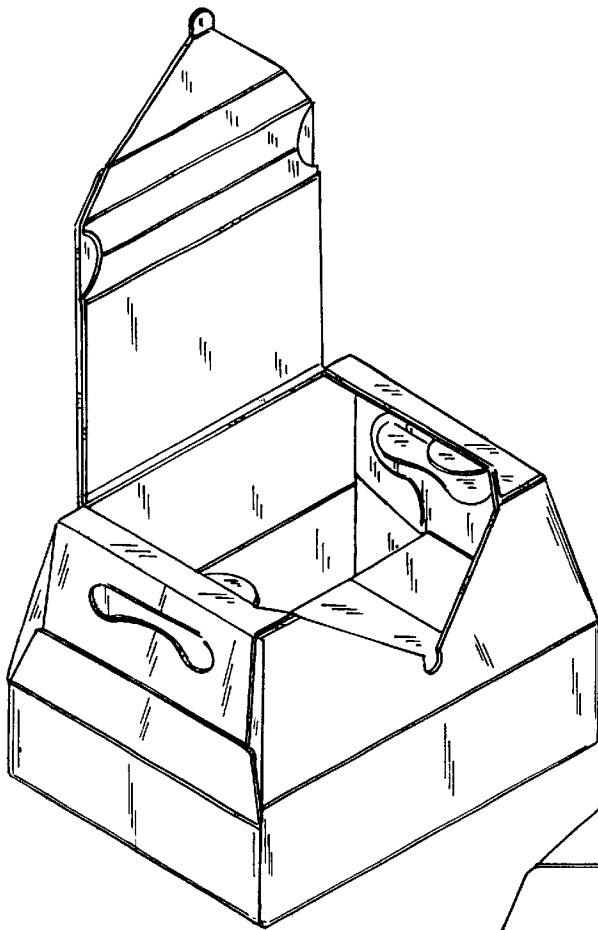
*Fig\_4*



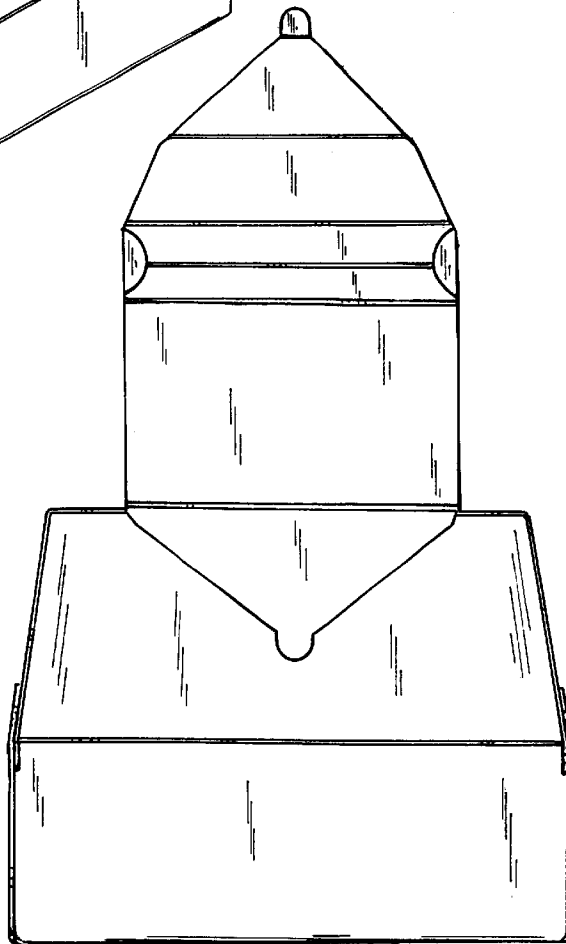
*Fig\_5*



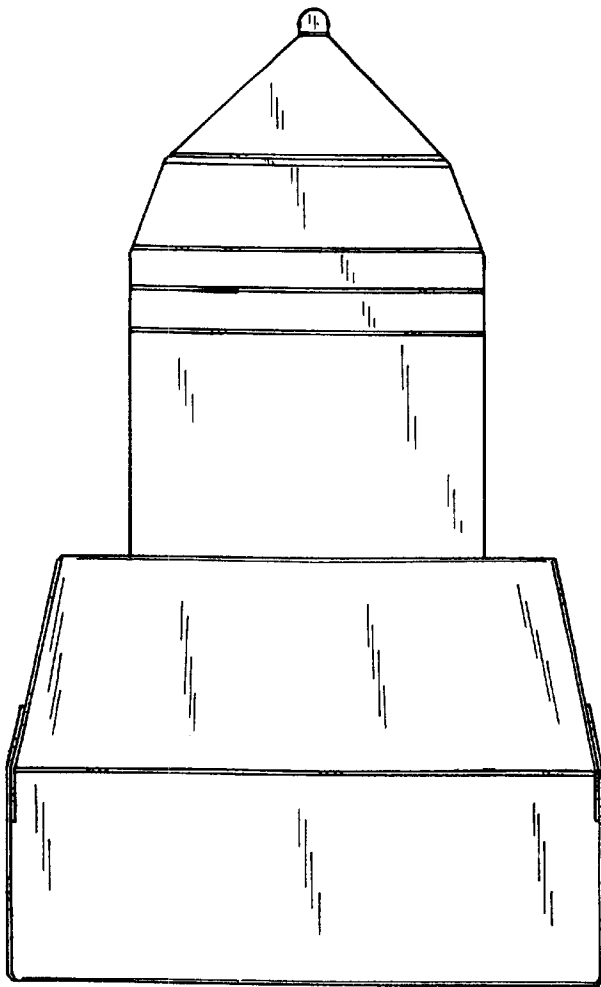
*Fig\_6*



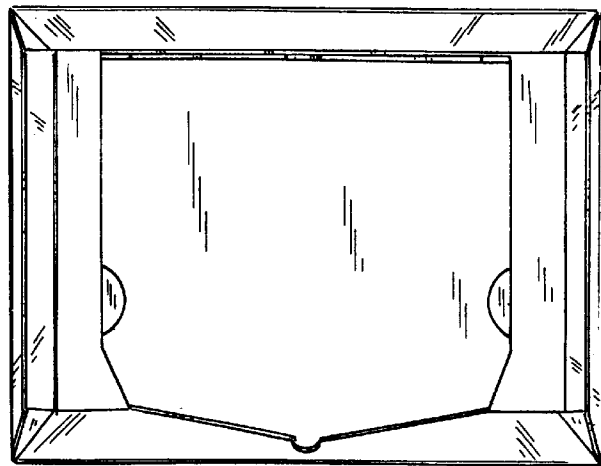
*Fig-7*



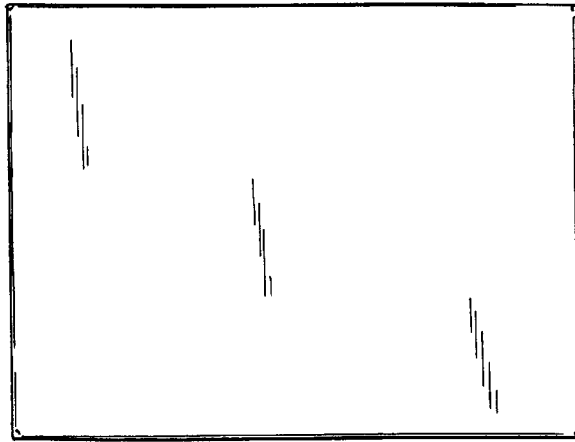
*Fig-8*



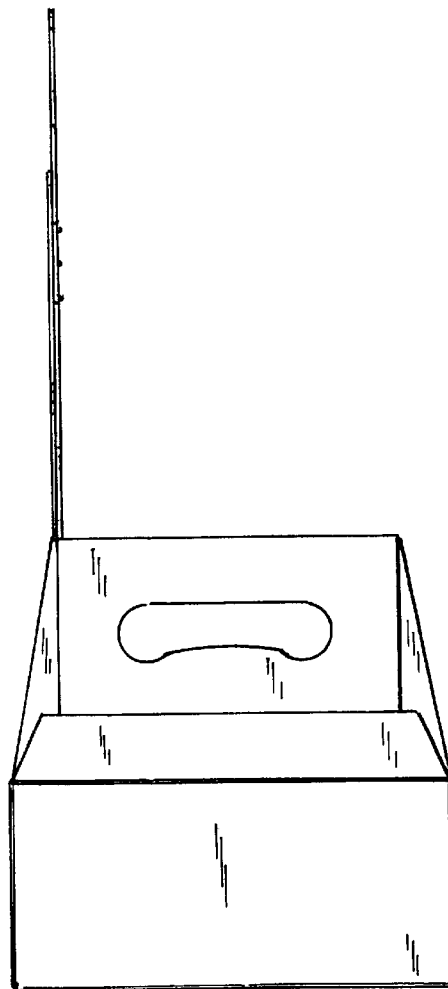
*Fig\_9*



*Fig\_10*



*Fig-11*



*Fig-12*