



US00D881179S

(12) **United States Design Patent**  
**Wright et al.**

(10) **Patent No.:** **US D881,179 S**

(45) **Date of Patent:** **\*\* Apr. 14, 2020**

(54) **SLEEVE FOR ELECTRONIC DEVICE**

FOREIGN PATENT DOCUMENTS

(71) Applicant: **CATALYST LIFESTYLE LIMITED**,  
North Point (HK)

CN 201330618136.5 5/2014  
CN 201630332457.2 2/2017

(Continued)

(72) Inventors: **Joshua Wright**, Hong Kong (CN);  
**June Lai**, Hong Kong (CN)

OTHER PUBLICATIONS

(73) Assignee: **Catalyst Lifestyle Limited**, North Point  
(HK)

This AirPods Accessory is strangely awesome—Catalyst AirPods Case, publication date Apr. 7, 2017, [online][site visited Sep. 9, 2019]URL: <https://www.cnet.com/news/coming-soon-a-waterproof-case-for-your-airpods-case/> Year: 2017.\*

(Continued)

(\*\*) Term: **15 Years**

(21) Appl. No.: **29/664,066**

*Primary Examiner* — Susan E Krakower

*Assistant Examiner* — L. A. Grabenstetter

(22) Filed: **Sep. 21, 2018**

(74) *Attorney, Agent, or Firm* — Dinsmore & Shohl LLP

(30) **Foreign Application Priority Data**

(57) **CLAIM**

Mar. 27, 2018 (CN) ..... 2018 3 0115941

The ornamental design for a sleeve for electronic device, as shown and described.

(51) **LOC (12) Cl.** ..... **14-03**

**DESCRIPTION**

(52) **U.S. Cl.**

USPC ..... **D14/250**; D3/218

(58) **Field of Classification Search**

USPC ..... D3/201, 212, 207, 208, 218, 294, 299,  
D3/300, 303; D10/30; D24/201, 205,  
D24/217, 250, 251, 440, 447; D28/66,  
D28/76; D14/201, 205, 217, 250, 251,  
D14/440, 447

CPC . H04R 1/1016; H04R 1/105; A45C 2011/001;  
A45C 2011/002; A45C 2011/003; B65D  
2585/6835

See application file for complete search history.

FIG. 1 is a perspective view including a front, top and one side of the sleeve for electronic device;

FIG. 2 is a perspective view including a rear, bottom and opposite side of the sleeve for electronic device;

FIG. 3 is a front elevation view of the sleeve for electronic device of FIG. 1;

FIG. 4 is a rear elevation view of the sleeve for electronic device of FIG. 1;

FIG. 5 is a side elevation view of the sleeve for electronic device of FIG. 1;

FIG. 6 is an opposite side elevation view of the sleeve for electronic device of FIG. 1;

FIG. 7 is a top plan view of the sleeve for electronic device of FIG. 1; and,

FIG. 8 is a bottom plan view of the sleeve for electronic device of FIG. 1.

The broken lines depict portions of the sleeve for electronic device that form no part of the claimed design.

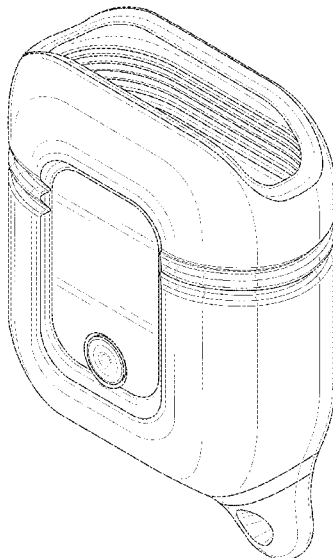
(56) **References Cited**

U.S. PATENT DOCUMENTS

D362,542 S 9/1995 Richards et al.  
D375,197 S 11/1996 Laherty

(Continued)

**1 Claim, 8 Drawing Sheets**



(56)

## References Cited

## U.S. PATENT DOCUMENTS

D393,148	S	*	4/1998	Petruzzi	.....	D3/208
5,740,624	A		4/1998	Baseley		
D399,604	S	*	10/1998	Wolff	.....	D28/66
D405,256	S		2/1999	Chacon et al.		
6,305,538	B1		10/2001	Jackson		
D467,799	S		12/2002	Persson		
D475,696	S		6/2003	Hussaini et al.		
D478,721	S	*	8/2003	Anderton	.....	D3/208
6,817,470	B1		11/2004	Goldberg		
D503,851	S	*	4/2005	Landow	.....	D3/212
D531,618	S		11/2006	Kennemer et al.		
7,347,325	B2		3/2008	O'Neill et al.		
D569,608	S	*	5/2008	Rowe	.....	D3/203.1
D570,597	S	*	6/2008	Klein	.....	D14/484.1
D592,400	S		5/2009	Nelson		
D594,659	S		6/2009	Lown et al.		
D595,952	S		7/2009	Nussberger		
D596,393	S		7/2009	Leung et al.		
D599,546	S		9/2009	Lown et al.		
D600,913	S		9/2009	Kalbach		
7,584,841	B2		9/2009	Chan et al.		
D601,366	S		10/2009	Barabas et al.		
D604,040	S	*	11/2009	Fleming	.....	D3/207
D623,399	S	*	9/2010	McSweyn	.....	D14/480.5
7,855,529	B2		12/2010	Liu		
D666,408	S	*	9/2012	Neely, III	.....	D3/208
D669,272	S	*	10/2012	Yang	.....	D3/303
D670,497	S		11/2012	Phillips et al.		
D672,642	S		12/2012	Supranowicz		
8,399,764	B2		3/2013	Klosky		
D681,613	S		5/2013	Magness et al.		
D692,664	S	*	11/2013	Rashid	.....	D3/303
D707,041	S	*	6/2014	Park	.....	D3/215
D711,866	S	*	8/2014	Kawata	.....	D14/250
D718,750	S		12/2014	Young et al.		
D720,096	S		12/2014	McDougall		
D720,718	S	*	1/2015	Stevinson	.....	D14/205
8,961,015	B1		2/2015	Bihn		
D735,991	S	*	8/2015	Brennan	.....	D3/218
D740,653	S	*	10/2015	Akana	.....	D9/418
D751,558	S	*	3/2016	Lee	.....	D10/103
D766,905	S	*	9/2016	Lee	.....	D14/440
D769,879	S	*	10/2016	Kim	.....	D14/440
D775,818	S	*	1/2017	Ingraham	.....	D3/218
D780,740	S	*	3/2017	Kim	.....	D14/250
D790,512	S	*	6/2017	Lee	.....	D14/217
D794,617	S	*	8/2017	Wright	.....	D14/203.3
D794,618	S	*	8/2017	Wright	.....	D14/203.3
D800,700	S	*	10/2017	Bergman	.....	D14/217
D806,388	S	*	1/2018	Akana	.....	D3/294
D808,791	S		1/2018	Johnston et al.		
D818,268	S		5/2018	Akana et al.		
D849,401	S		5/2019	Akana et al.		
D864,971	S		10/2019	Lee et al.		

## FOREIGN PATENT DOCUMENTS

CN	201730139442.9	10/2017
CN	201730139523.9	10/2017
CN	201730147900.3	11/2017
CN	201730209513.8	11/2017
CN	201730216831.7	11/2017
CN	201730208864.7	12/2017
CN	201730483408.3	8/2018
JP	D2016-14200	3/2017

## OTHER PUBLICATIONS

This glow-in-the-dark, waterproof AirPods case—Catalist AirPods Case, publication date Apr. 14, 2017, [online] site visited Sep. 9, 2019] URL: <https://www.theverge.com/circuitbreaker/2017/4/14/15306100/catalist-case-airpods-sale-glow-in-the-dark> (Year: 2017).\*

\* cited by examiner

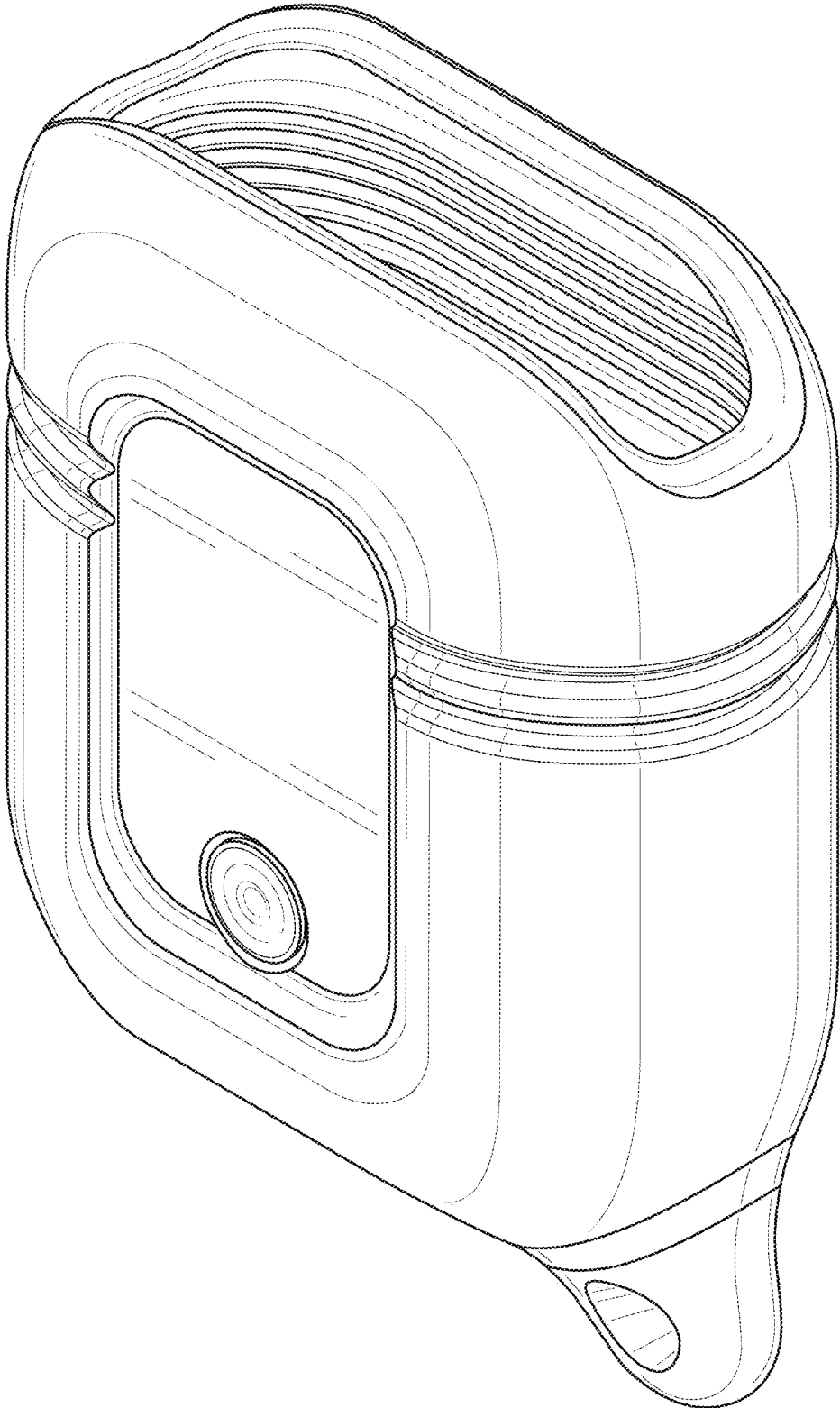


FIG. 1

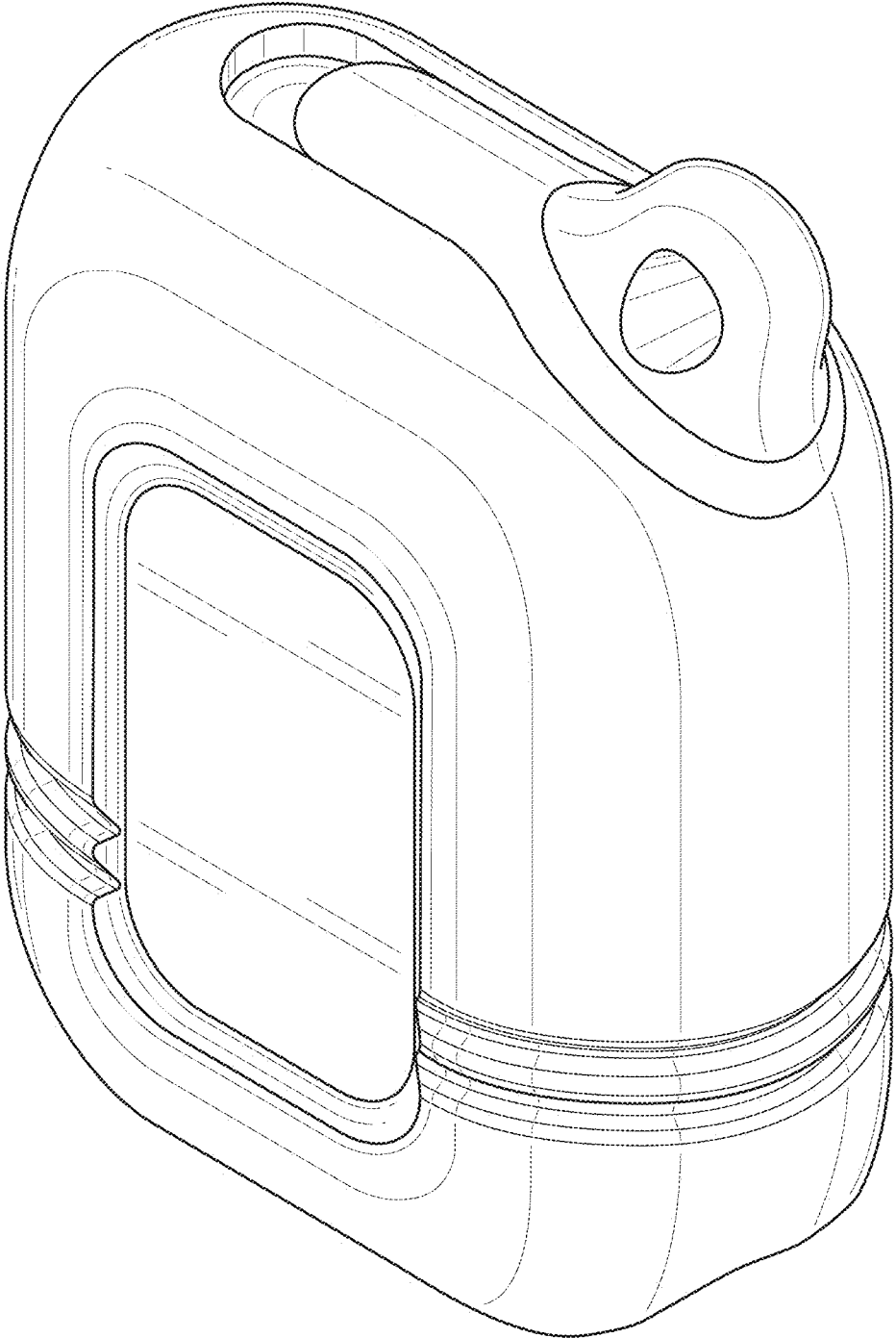


FIG. 2

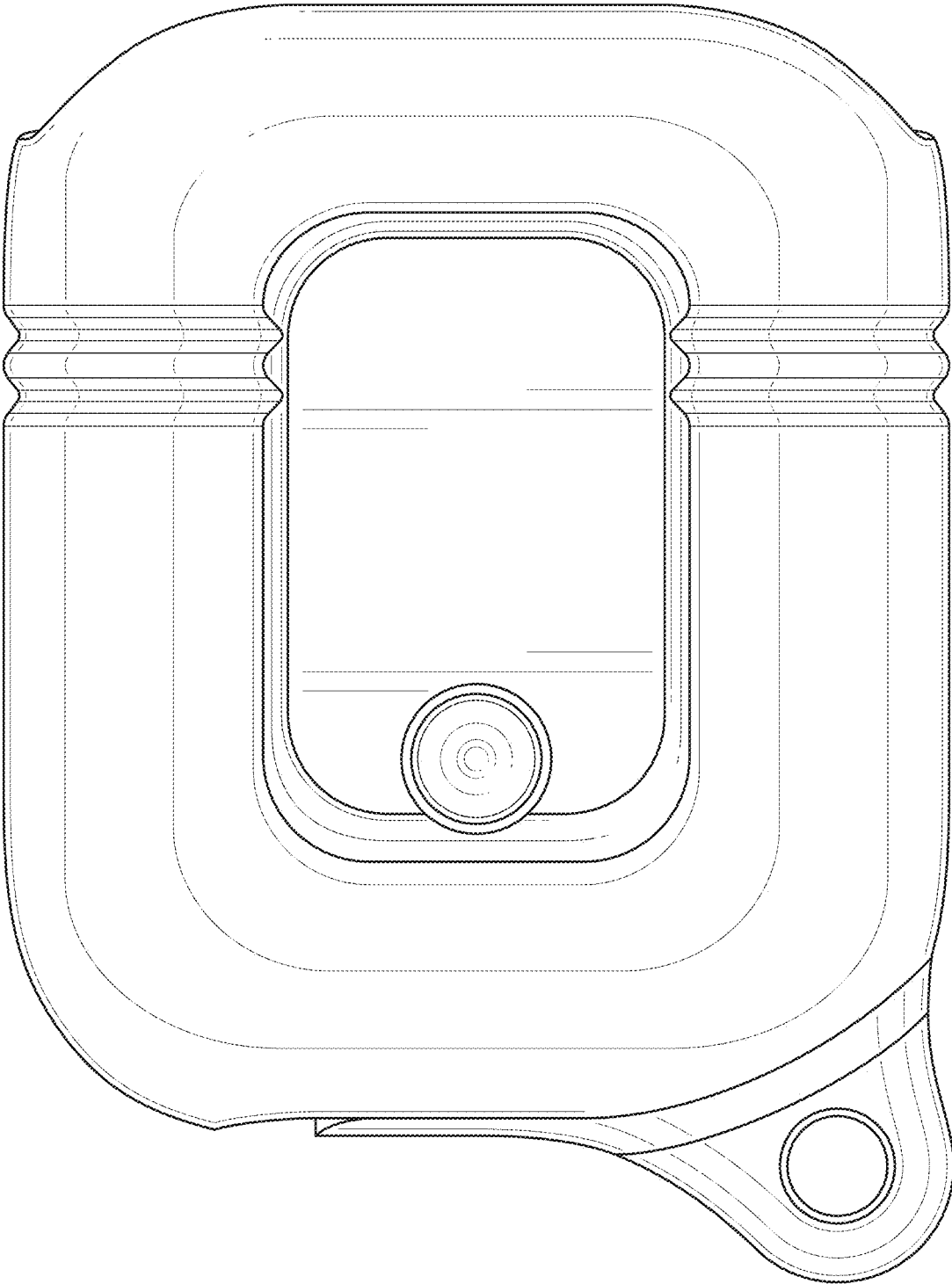


FIG. 3

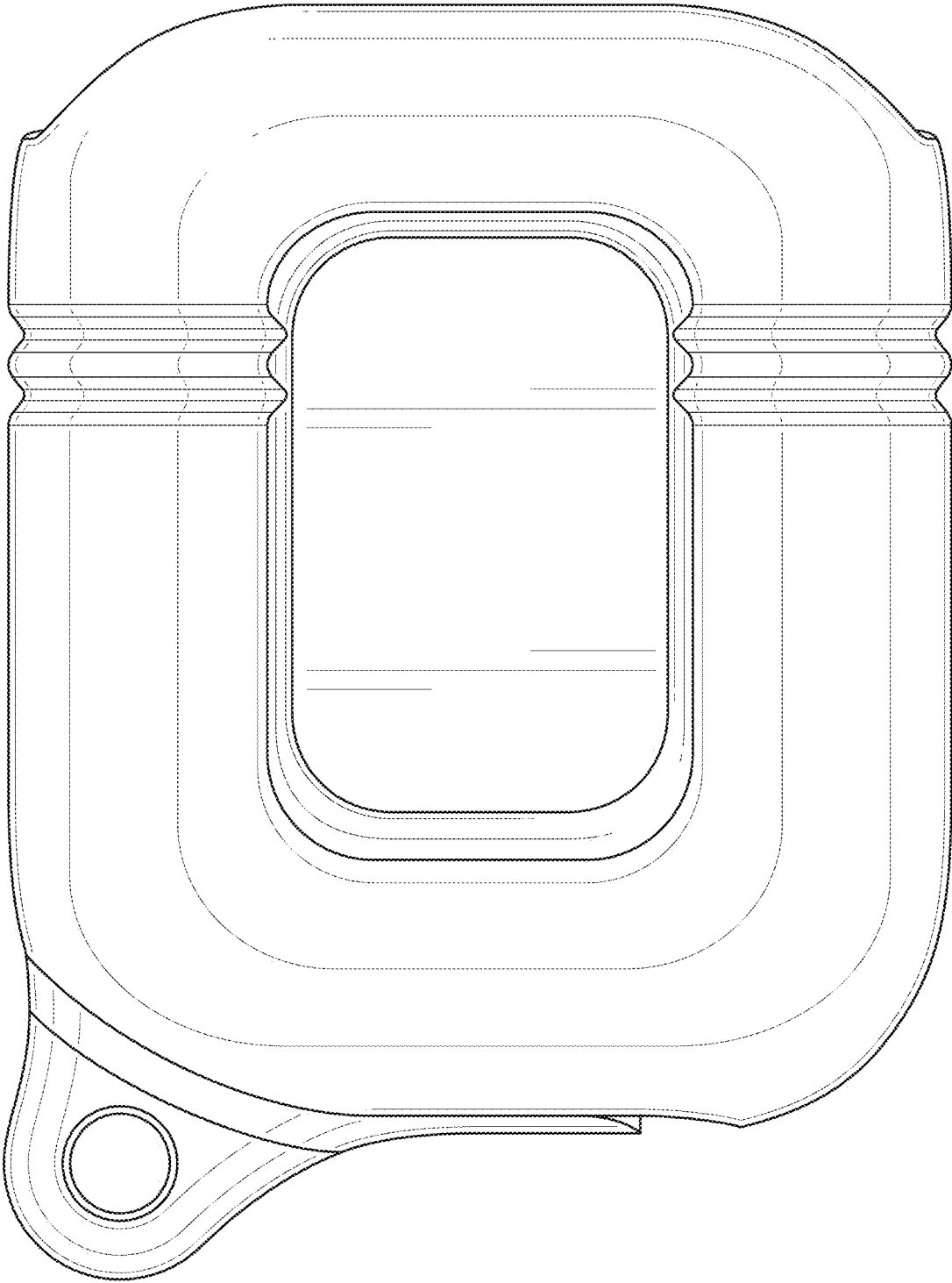


FIG. 4

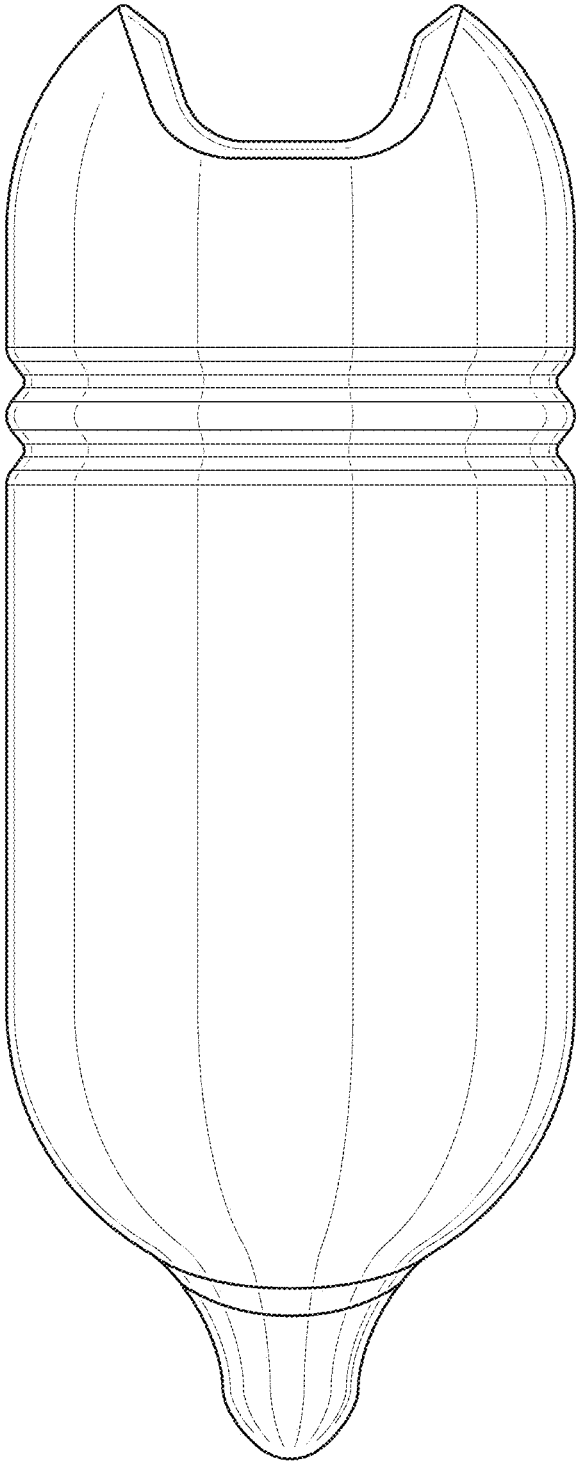


FIG. 5

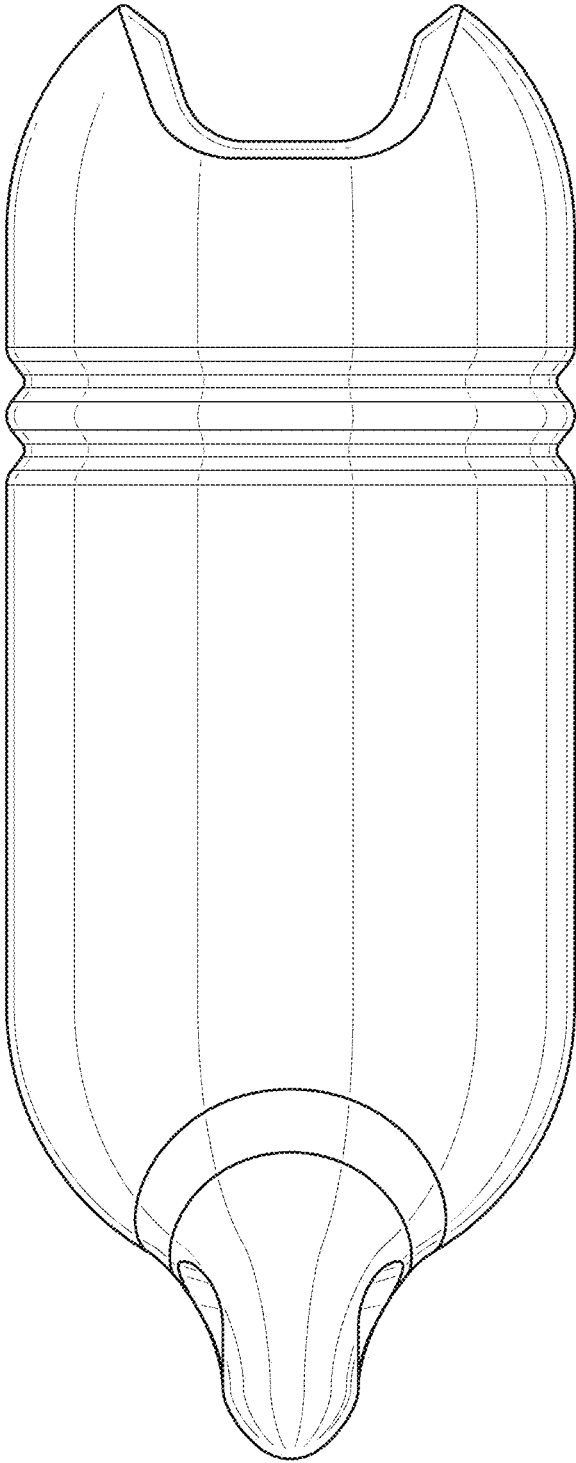


FIG. 6



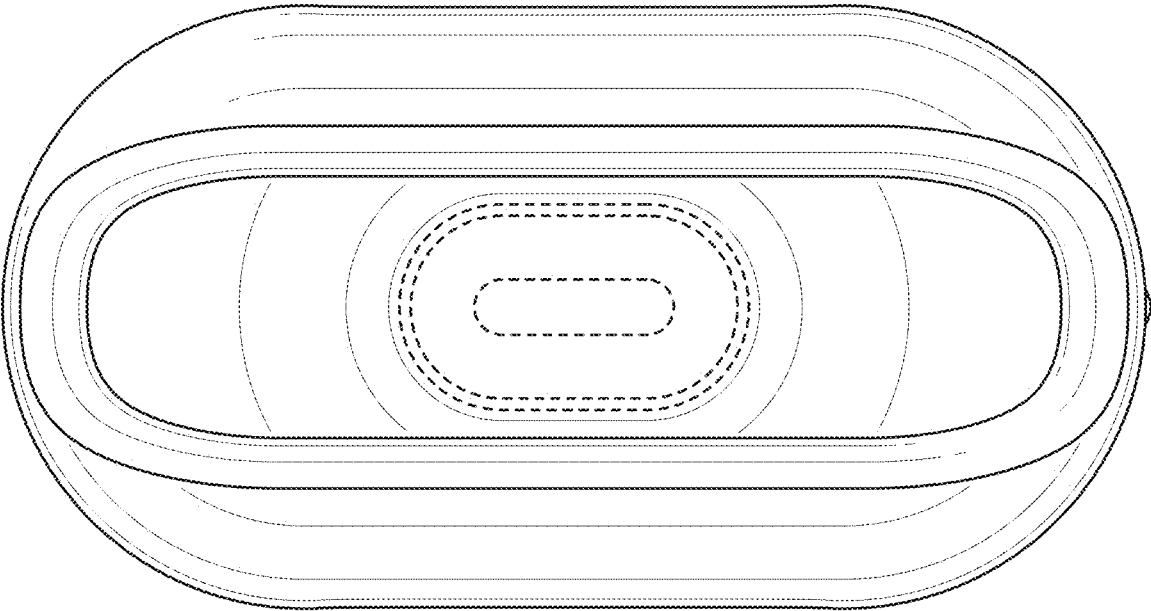


FIG. 7

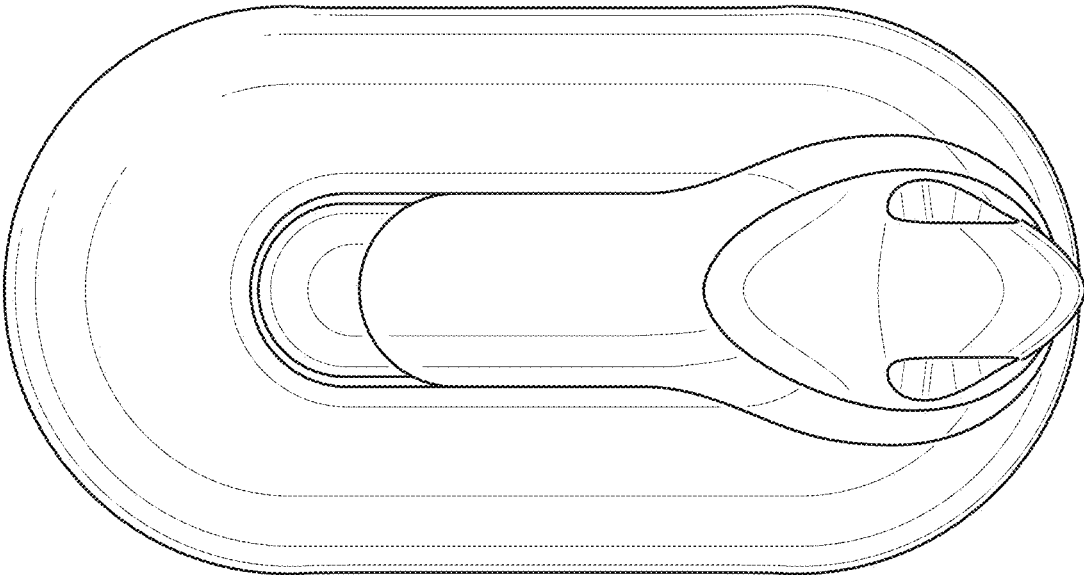


FIG. 8