

P05081/  
P05083

1/4

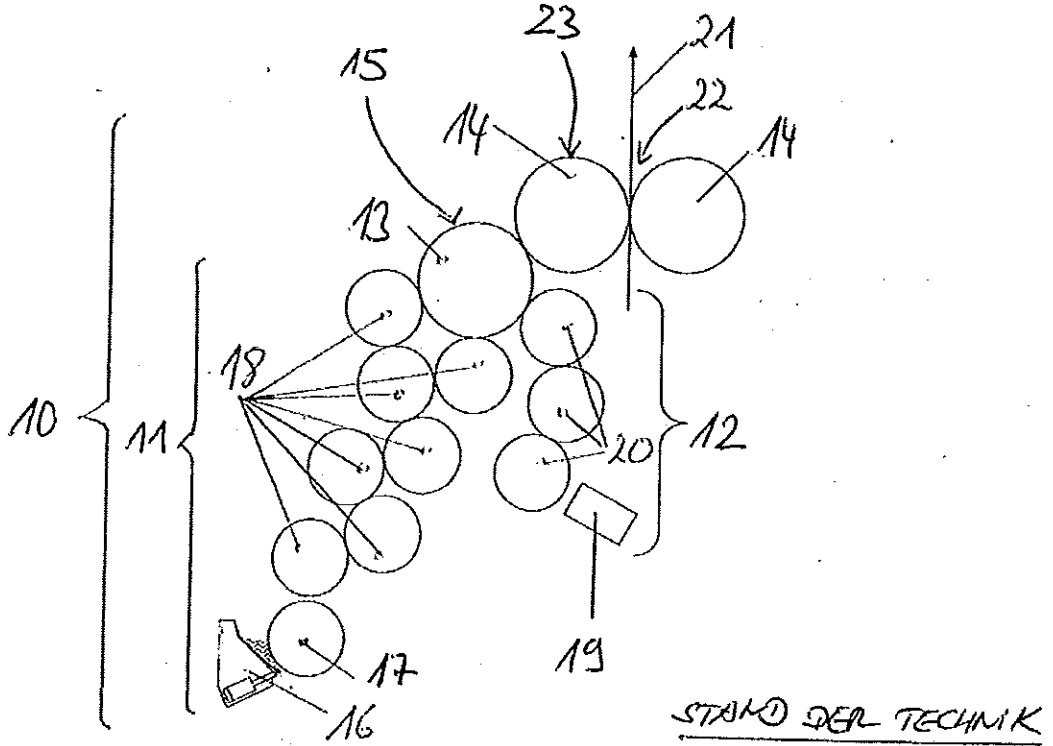


Fig. 1

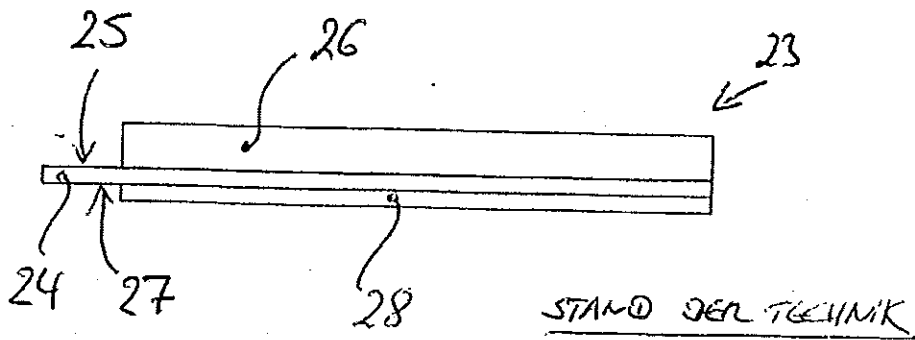
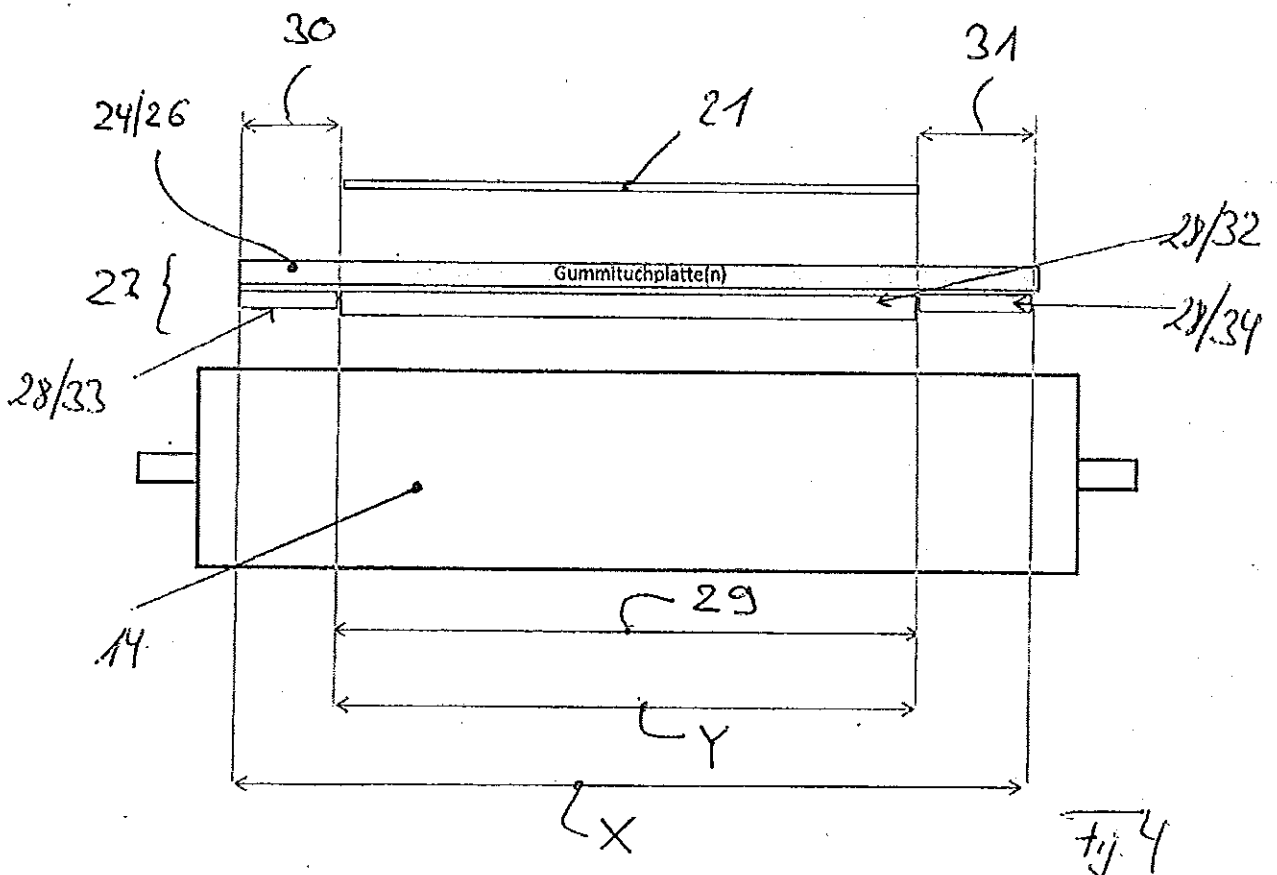
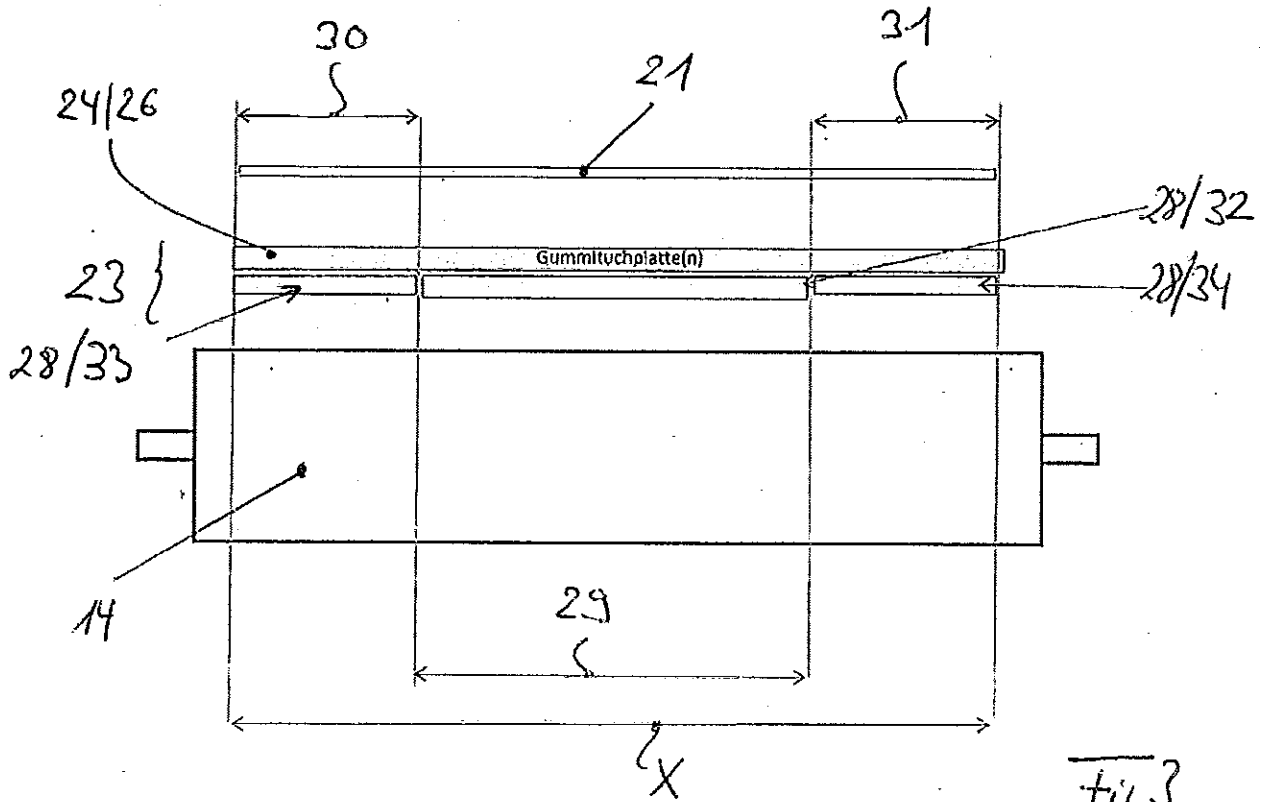


Fig. 2



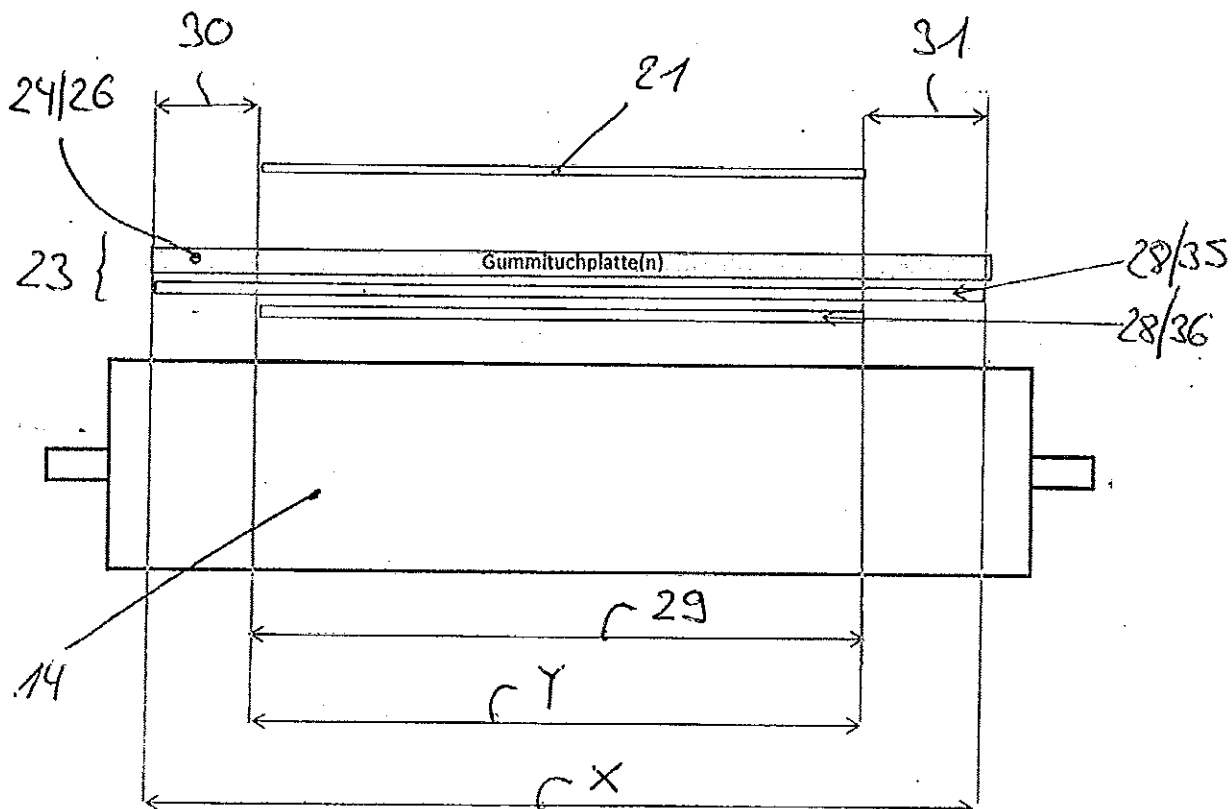


Fig. 5

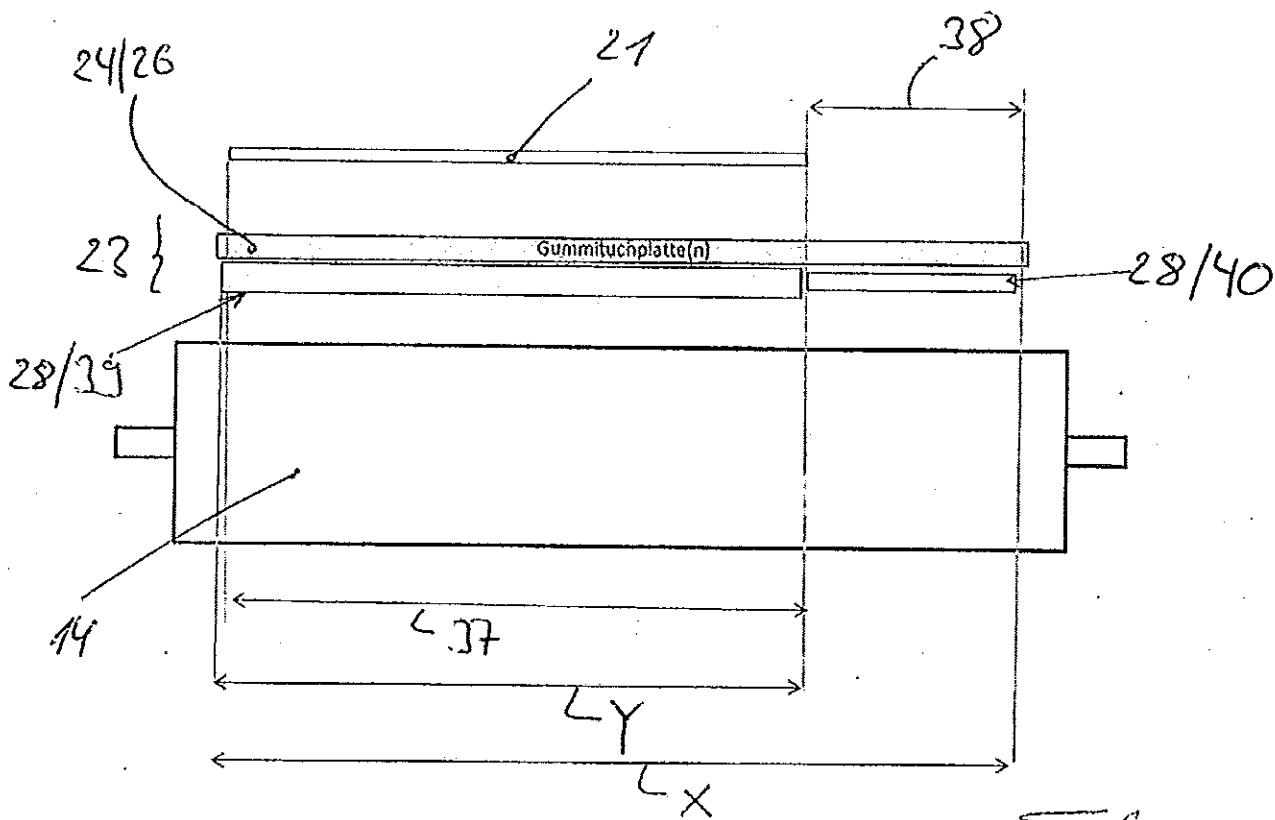
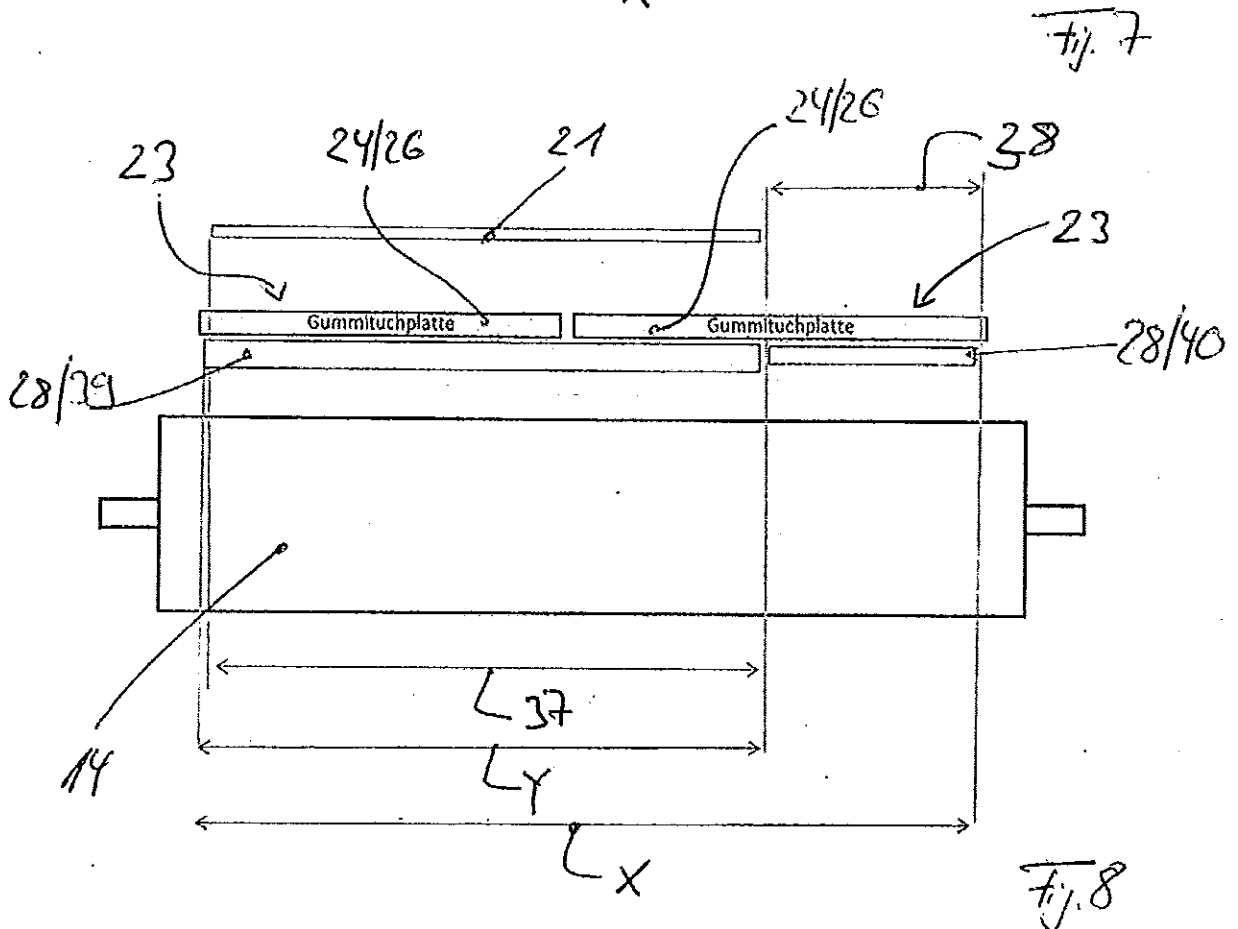
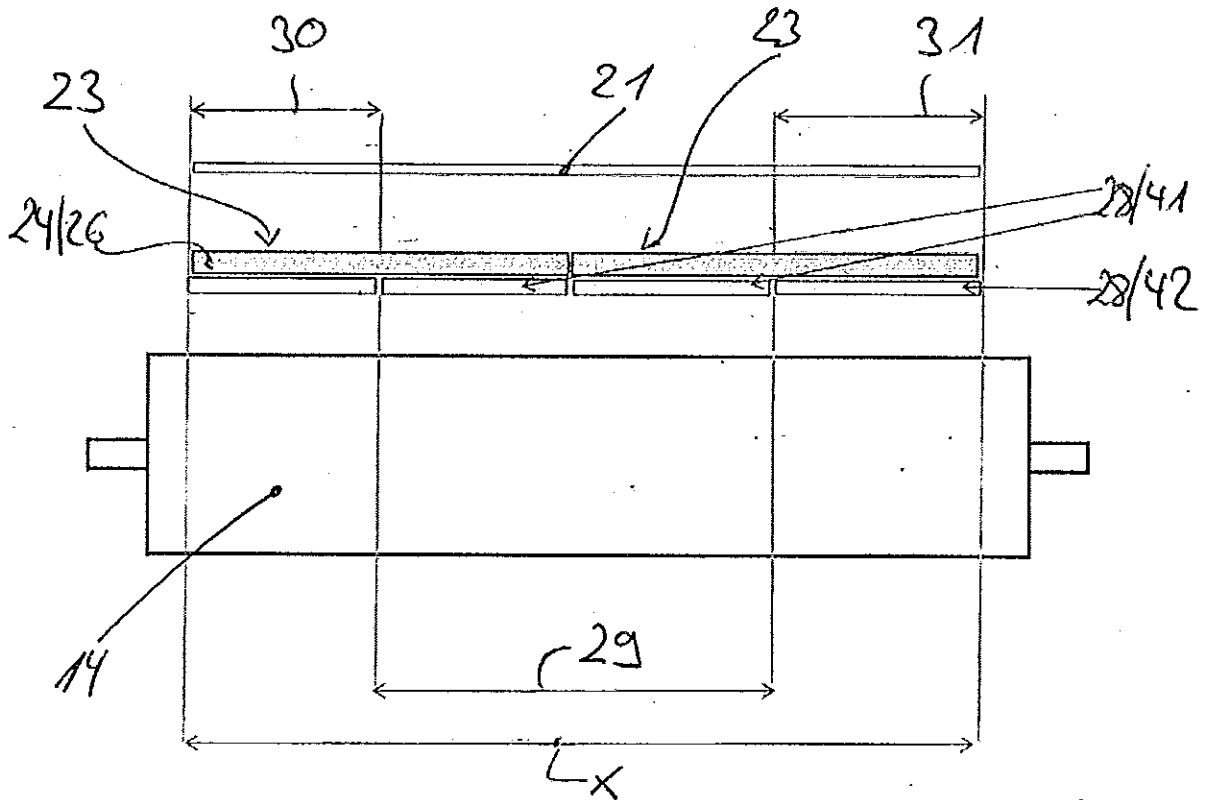


Fig. 6

[RANJNA MEHTA-DUTT]  
OF REMFRY & SAGAR  
ATTORNEY FOR THE APPLICANT[S]



[RANJNA MEHTA-DUTT]  
OF REMFRY & SAGAR  
ATTORNEY FOR THE APPLICANT[S]