

- [54] **MEDICAMENT INJECTOR**
- [75] **Inventors: Kenneth W. Dunlap, Plymouth; David Bardwell, Minnetonka, both of Minn.**
- [73] **Assignee: Derata Corporation, Minneapolis, Minn.**
- [**] **Term: 14 Years**
- [21] **Appl. No.: 44,520**
- [22] **Filed: Apr. 30, 1987**
- [52] **U.S. Cl. D24/24**
- [58] **Field of Search D24/24, 25; 604/68, 604/69, 70, 71, 136, 191**

| | | | |
|-----------|---------|-----------------------|---------|
| 4,507,113 | 3/1985 | Dunlap | 604/71 |
| 4,573,971 | 3/1986 | Kamstra | 604/191 |
| 4,573,972 | 3/1986 | Kamstra | 604/191 |
| 4,596,556 | 6/1986 | Morrow et al. | 604/70 |
| 4,623,332 | 11/1986 | Lindmayer et al. | 604/68 |
| 4,624,660 | 11/1986 | Mijers et al. | 604/136 |

OTHER PUBLICATIONS

- Preci-Jet 50 Box, (Exhibit 1).
- Photograph of Preci-Jet 50, (Exhibit 2).
- Vitajet Instruction Manual, pp. 2 and 24, (Exhibit 3).
- Medi-Jector II Instruction Manual, pp. i and 12, (Exhibit 4).
- Medi-Jector LV, pp. ii and 12, (Exhibit 5).
- Medi-Jector Instructions Manual at p. 5, (Exhibit 6).

Primary Examiner—Wallace R. Burke
Assistant Examiner—Stella M. Reid
Attorney, Agent, or Firm—Merchant, Gould, Smith, Edell, Welter & Schmidt

[56] **References Cited**

U.S. PATENT DOCUMENTS

| | | | |
|-----------|---------|----------------------|---------|
| 2,322,244 | 6/1943 | Lockhart | 123/215 |
| 2,547,099 | 4/1951 | Smoot | 128/173 |
| 2,605,763 | 8/1952 | Smoot | 128/173 |
| 2,645,223 | 7/1953 | Lawshe | 128/173 |
| 2,687,725 | 8/1954 | Hein, Jr. | 128/173 |
| 2,754,818 | 7/1956 | Scherer | 604/68 |
| 2,762,369 | 9/1956 | Venditty | 128/173 |
| 2,762,370 | 9/1956 | Venditty | 128/173 |
| 2,816,543 | 12/1957 | Venditty et al. | 128/173 |
| 2,816,544 | 12/1957 | Scherer et al. | 128/173 |
| 2,825,332 | 3/1958 | Johnson | 128/173 |
| 3,115,133 | 12/1963 | Morando | 604/70 |
| 3,129,708 | 4/1964 | Krantz | 128/173 |
| 3,330,276 | 8/1967 | Gordon | 128/173 |
| 3,335,722 | 8/1967 | Lowry et al. | 128/173 |
| 3,507,276 | 4/1970 | Burgess | 128/173 |
| 3,521,633 | 7/1970 | Yahner | 128/173 |
| 4,394,863 | 7/1983 | Bartner | 604/90 |

[57] **CLAIM**

The ornamental design for a medicament injector, as shown and described.

DESCRIPTION

- FIG. 1 is a front and top left perspective view of a medicament injector showing our new design;
- FIG. 2 is a front elevational view thereof, shown at its operative maximum extended length;
- FIG. 3 is a front elevational view thereof, shown at its operative minimum, compressed length;
- FIG. 4 is a rear elevational view thereof;
- FIG. 5 is a top plan view thereof, the bottom plan being a mirror image thereof;
- FIG. 6 is a left side elevational view thereof; and
- FIG. 7 is a right side elevational view thereof.

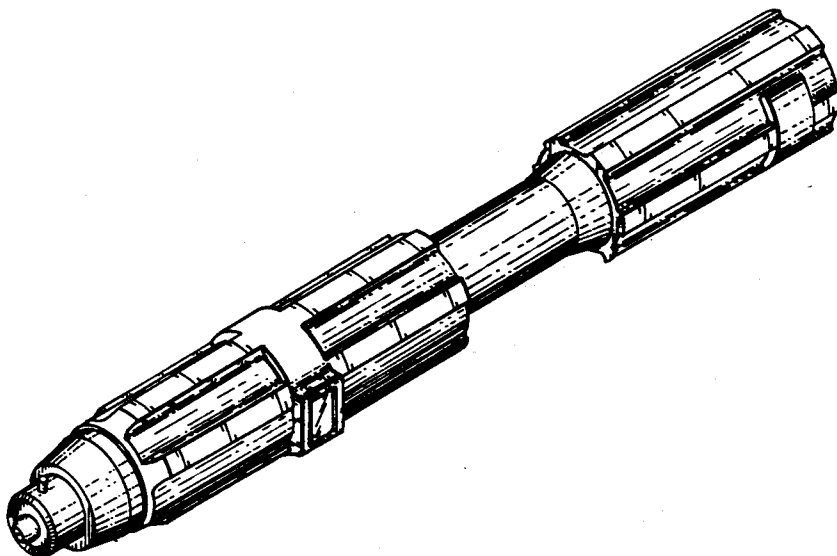


FIG. 1

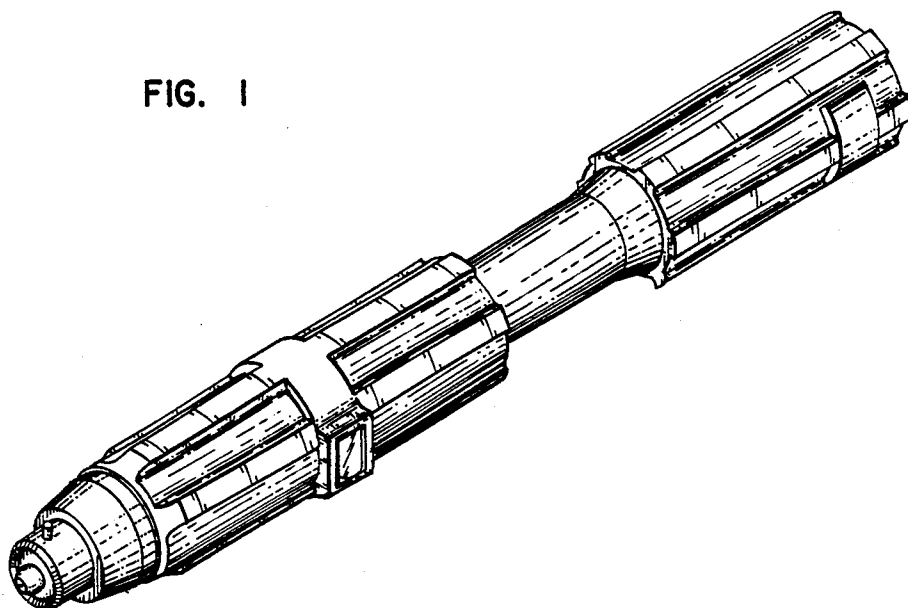


FIG. 6

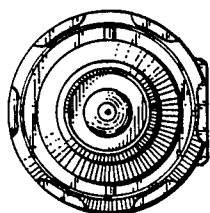
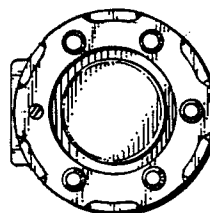


FIG. 7



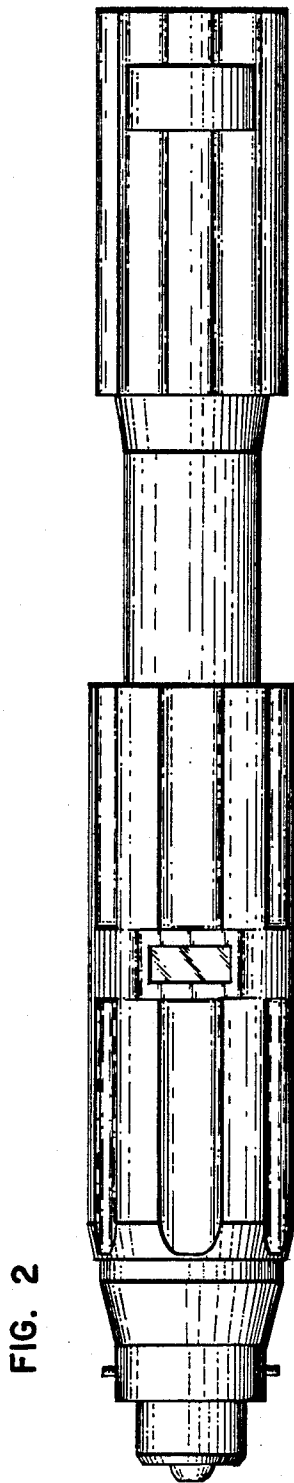


FIG. 4

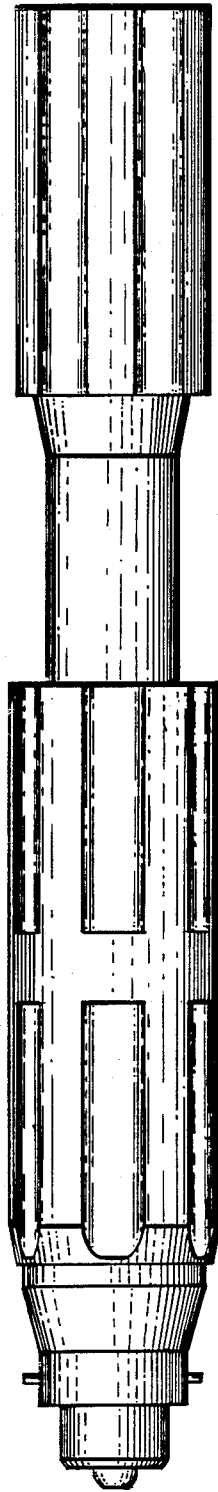


FIG. 5

