



US00D906808S

(12) **United States Design Patent**  
**Obara et al.**

(10) **Patent No.:** **US D906,808 S**  
(45) **Date of Patent:** **\*\* Jan. 5, 2021**

(54) **CAP OF A DISPENSING CONTAINER**

FOREIGN PATENT DOCUMENTS

(71) Applicant: **NISSHIN FOODS INC.**, Tokyo (JP)

JP 56-103449 U 8/1981  
JP 04-010054 U 1/1992

(72) Inventors: **Mie Obara**, Tokyo (JP); **Michihiro Sakakibara**, Tokyo (JP)

(Continued)

(73) Assignee: **NISSHIN FOODS INC.**, Tokyo (JP)

*Primary Examiner* — Wendy L Arminio

(\*\*) Term: **15 Years**

(74) *Attorney, Agent, or Firm* — Muncy, Geissler, Olds & Lowe, P.C.

(21) Appl. No.: **29/599,786**

(22) Filed: **Apr. 6, 2017**

(57) **CLAIM**

(30) **Foreign Application Priority Data**

The ornamental design for a cap of a dispensing container, as shown and described.

Oct. 6, 2016 (JP) ..... 2016-021840  
Oct. 6, 2016 (JP) ..... 2016-021841  
Oct. 6, 2016 (JP) ..... 2016-021842  
Oct. 6, 2016 (JP) ..... 2016-021843

**DESCRIPTION**

(51) **LOC (13) Cl.** ..... **09-07**

(52) **U.S. Cl.**  
USPC ..... **D9/449**

(58) **Field of Classification Search**

USPC ..... D9/414, 434-436, 438-440, 443-457,  
D9/499, 503-505, 682, 685, 686;  
D7/387, 391, 392, 392.1, 396.2-396.4,  
D7/401.1, 507, 509-511, 538, 900;  
D3/202, 203.2, 318; D28/91.1  
CPC .. A61J 1/00; A61J 1/1412; B65D 1/00; B65D  
1/02; B65D 1/10; B65D 1/46; B65D  
5/46; B65D 41/00; B65D 41/38; B65D  
41/56; B65D 41/62; B65D 47/00; B65D  
47/06;

FIG. 1 is a perspective view of a cap of a dispensing container, showing our new design;  
FIG. 2 is a front elevational view thereof;  
FIG. 3 is a rear elevational view thereof;  
FIG. 4 is a top plan view thereof;  
FIG. 5 is a bottom plan view thereof;  
FIG. 6 is a left side view thereof;  
FIG. 7 is a right side view thereof;  
FIG. 8 is a front elevational view thereof, with a larger lid member open;  
FIG. 9 is a top plan view thereof, with the larger lid member open;  
FIG. 10 is a right side view thereof, with the larger lid member open;  
FIG. 11 is a front elevational view thereof, with a smaller lid member open;  
FIG. 12 is a top plan view thereof, with the smaller lid member open; and,  
FIG. 13 is a left side view thereof, with the smaller lid member open.

(Continued)

The broken lines depict portions of the cap of a dispensing container that form no part of the claimed design.

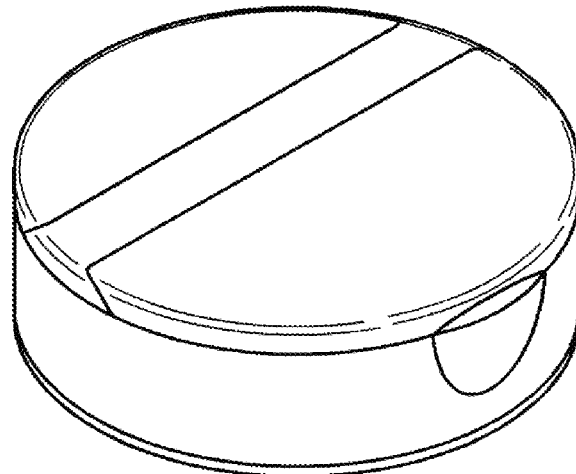
(56) **References Cited**

U.S. PATENT DOCUMENTS

4,299,339 A \* 11/1981 Giroux ..... B65D 47/265  
215/313  
4,881,668 A \* 11/1989 Kitterman ..... B65D 47/0876  
222/482

(Continued)

**1 Claim, 7 Drawing Sheets**



# US D906,808 S

Page 2

(58) **Field of Classification Search**

CPC ..... B65D 47/08; B65D 2251/00; B65D  
2543/00046; B65D 2543/00092; B65D  
2543/00296; B65D 2585/56; B65D  
2585/545

See application file for complete search history.

(56)

**References Cited**

U.S. PATENT DOCUMENTS

D305,206 S \* 12/1989 Hickman ..... D9/449  
4,936,494 A \* 6/1990 Weidman ..... B65D 47/0847  
215/235  
4,955,513 A \* 9/1990 Bennett ..... B65D 47/0847  
215/235  
5,048,730 A \* 9/1991 Forsyth ..... B65D 47/0847  
215/235  
D340,187 S \* 10/1993 Forsyth ..... D9/449  
D340,188 S \* 10/1993 Forsyth ..... D9/449  
D410,388 S \* 6/1999 Fisher ..... D9/449  
D431,458 S \* 10/2000 Bried ..... D3/203.2  
6,575,323 B1 \* 6/2003 Martin ..... B65D 47/0852  
220/254.2

D509,426 S \* 9/2005 Samz ..... D9/447  
D513,452 S \* 1/2006 Parve ..... D9/435  
D530,610 S \* 10/2006 Samz ..... D9/447  
D533,452 S \* 12/2006 Vogel ..... D9/449  
D541,152 S \* 4/2007 Samz ..... D9/449  
D552,990 S \* 10/2007 Vogel ..... D9/435  
D582,273 S \* 12/2008 Vogel ..... D9/449  
D603,702 S \* 11/2009 Daggett ..... D9/449  
D603,703 S \* 11/2009 Daggett ..... B65D 43/161

D828,755 S \* 9/2018 Jacobs ..... D9/449  
2004/0118846 A1 \* 6/2004 Merolla ..... B65D 47/08  
220/254.2  
2010/0140304 A1 \* 6/2010 Walunis ..... B65D 43/161  
222/480  
2016/0116321 A1 \* 4/2016 Lacasse ..... G01F 11/24  
222/158  
2017/0129658 A1 \* 5/2017 Moody ..... B65D 47/0838

FOREIGN PATENT DOCUMENTS

JP 10-167303 6/1998  
JP 1521036 4/2015  
JP 1531979 8/2015

\* cited by examiner

FIG. 1

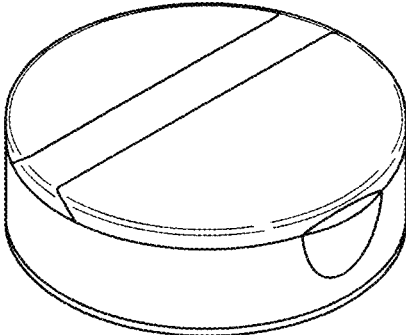


FIG. 2

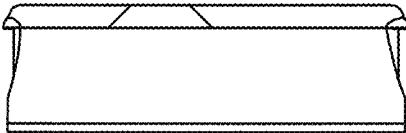


FIG. 3

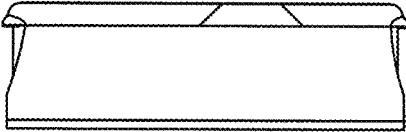


FIG. 4

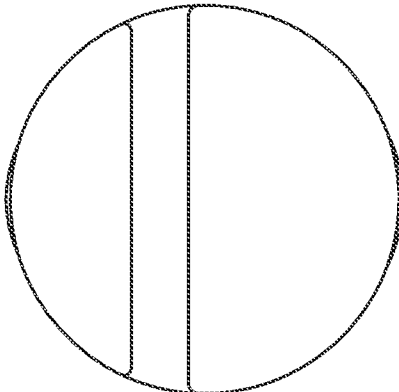


FIG. 5

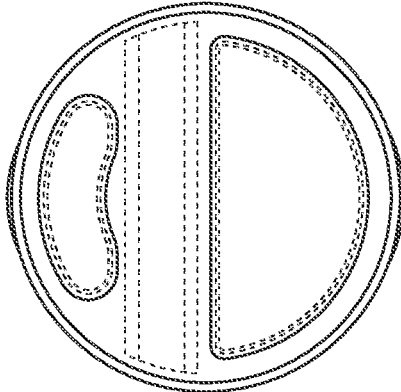


FIG. 6

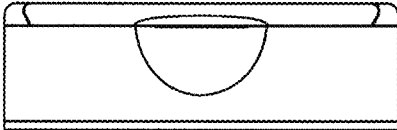


FIG. 7



FIG. 8

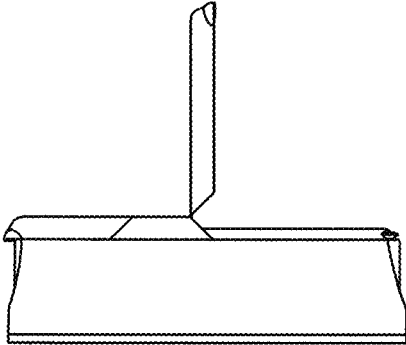


FIG. 9

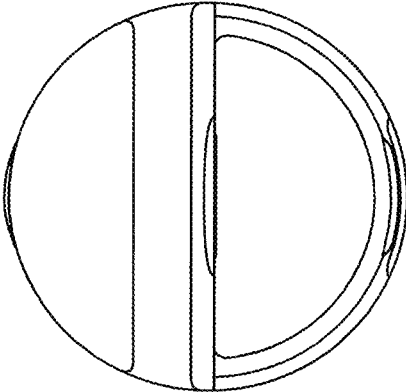


FIG. 10

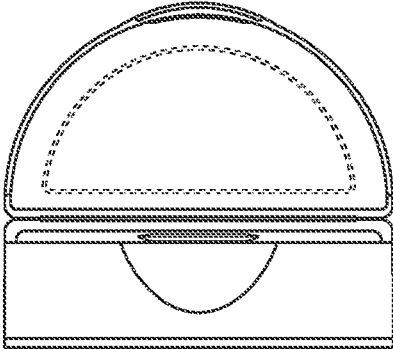


FIG. 11

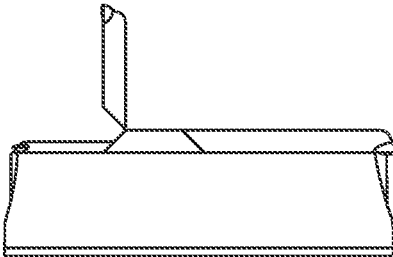




FIG. 12

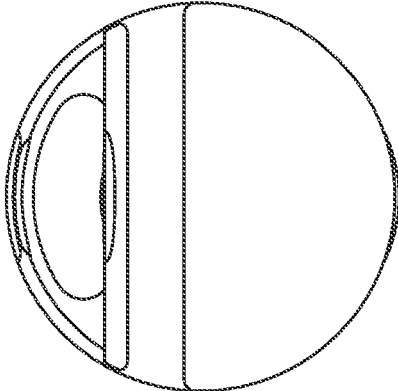


FIG. 13

