



- (51) International Patent Classification:
G16H 10/00 (2018.01) G06F 19/24 (2011.01)
- (21) International Application Number:
PCT/US2016/023490
- (22) International Filing Date:
21 March 2016 (21.03.2016)
- (25) Filing Language: English
- (26) Publication Language: English
- (30) Priority Data:
62/137,103 23 March 2015 (23.03.2015) US
- (71) Applicant: EDICO GENOME CORPORATION [US/US]; 3344 North Torrey Pines Court, Plaza Level, La Jolla, CA 92037 (US).
- (72) Inventors: VAN ROOYEN, Pieter; 3344 North Torrey Pines Court, Plaza Level, La Jolla, CA 92037 (US). STONE, Gavin; 3344 North Torrey Pines Court, Plaza Level, La Jolla, CA 92037 (US). LANCOVICI, Lucian; 3344 North Torrey Pines Court, Plaza Level, La Jolla, CA 92037 (US).
- (74) Agent: CATANIA, Michael; Clause Eight IPS, P.O. Box 131270, Carlsbad, CA 92013 (US).
- (81) Designated States (unless otherwise indicated, for every kind of national protection available): AE, AG, AL, AM, AO, AT, AU, AZ, BA, BB, BG, BH, BN, BR, BW, BY, BZ, CA, CH, CL, CN, CO, CR, CU, CZ, DE, DK, DM, DO, DZ, EC, EE, EG, ES, FI, GB, GD, GE, GH, GM, GT, HN, HR, HU, ID, IL, IN, IR, IS, JP, KE, KG, KN, KP, KR, KZ, LA, LC, LK, LR, LS, LU, LY, MA, MD, ME, MG, MK, MN, MW, MX, MY, MZ, NA, NG, NI, NO, NZ, OM, PA, PE, PG, PH, PL, PT, QA, RO, RS, RU, RW, SA, SC, SD, SE, SG, SK, SL, SM, ST, SV, SY, TH, TJ, TM, TN, TR, TT, TZ, UA, UG, US, UZ, VC, VN, ZA, ZM, ZW.
- (84) Designated States (unless otherwise indicated, for every kind of regional protection available): ARIPO (BW, GH, GM, KE, LR, LS, MW, MZ, NA, RW, SD, SL, ST, SZ, TZ, UG, ZM, ZW), Eurasian (AM, AZ, BY, KG, KZ, RU, TJ, TM), European (AL, AT, BE, BG, CH, CY, CZ, DE, DK, EE, ES, FI, FR, GB, GR, HR, HU, IE, IS, IT, LT, LU, LV, MC, MK, MT, NL, NO, PL, PT, RO, RS, SE, SI, SK, SM, TR), OAPI (BF, BJ, CF, CG, CI, CM, GA, GN, GQ, GW, KM, ML, MR, NE, SN, TD, TG).

(54) Title: METHOD AND SYSTEM FOR GENOMIC VISUALIZATION

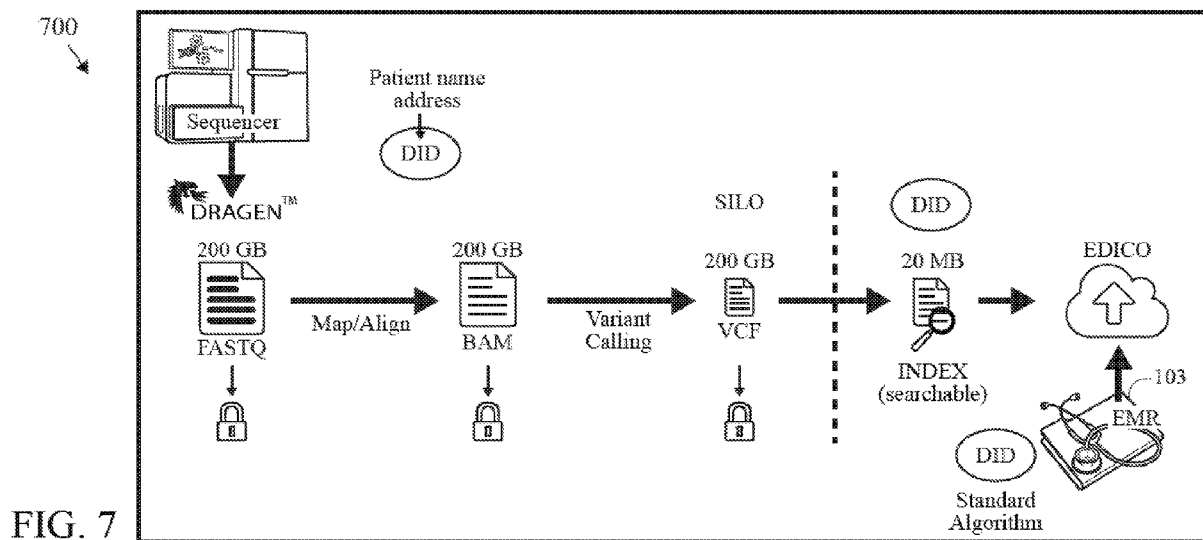


FIG. 7

(57) Abstract: A method (200) and system (100) for correlating genome data with EMR/PHR data is disclosed herein. The method (200) includes identifying a plurality of sources (102) of genome data. The method (200) also includes generating an index file for each of the plurality of genome files. The method (200) also includes transmitting each index file to a central depository (101). The method (200) also includes identifying electronic medical record (EMR) and/or personal health record (PHR) data at each source of the plurality of sources of genome data. The method (200) also includes correlating each genome file of the plurality of genome files with a corresponding EMR/PHR data.



Published:

- *with international search report (Art. 21(3))*
- *before the expiration of the time limit for amending the claims and to be republished in the event of receipt of amendments (Rule 48.2(h))*

(88) Date of publication of the international search report:

26 April 2018 (26.04.2018)

INTERNATIONAL SEARCH REPORT

International application No.

PCT/US 2016/023490

A. CLASSIFICATION OF SUBJECT MATTER		
<i>G16H 10/00 (2018.01)</i> <i>G06F 19/24 (2011.01)</i>		
According to International Patent Classification (IPC) or to both national classification and IPC		
B. FIELDS SEARCHED		
Minimum documentation searched (classification system followed by classification symbols)		
G16H 10/00-80/00, G06F 19/00-19/24		
Documentation searched other than minimum documentation to the extent that such documents are included in the fields searched		
Electronic data base consulted during the international search (name of data base and, where practicable, search terms used)		
PatSearch (RUPTO internal), USPTO, PAJ, K-PION, Esp@cenet, Information Retrieval System of FIPS		
C. DOCUMENTS CONSIDERED TO BE RELEVANT		
Category*	Citation of document, with indication, where appropriate, of the relevant passages	Relevant to claim No.
Y	US 2005/0060195 A1 (LUC BESSETTE et al) 17.03.2005, paragraphs [0021], [0032], [0065], [0074], [0078], [0082], [0088], [0100], fig. 10	1-20
Y	WO 2014/134615 A1 (ACTX, INC) 04.09.2014, p.1, lines 8 –12, p. 47, line 23 – p. 48, line 9	1-20
Y	US 2014/0310215 A1 (JOHN TRAKADIS) 16.10.2014, paragraphs [0239], [0240], [0121]	6, 7, 17, 18
<input type="checkbox"/> Further documents are listed in the continuation of Box C. <input type="checkbox"/> See patent family annex.		
* Special categories of cited documents:	“T”	later document published after the international filing date or priority date and not in conflict with the application but cited to understand the principle or theory underlying the invention
“A” document defining the general state of the art which is not considered to be of particular relevance	“X”	document of particular relevance; the claimed invention cannot be considered novel or cannot be considered to involve an inventive step when the document is taken alone
“E” earlier document but published on or after the international filing date	“Y”	document of particular relevance; the claimed invention cannot be considered to involve an inventive step when the document is combined with one or more other such documents, such combination being obvious to a person skilled in the art
“L” document which may throw doubts on priority claim(s) or which is cited to establish the publication date of another citation or other special reason (as specified)	“&”	document member of the same patent family
“O” document referring to an oral disclosure, use, exhibition or other means		
“P” document published prior to the international filing date but later than the priority date claimed		
Date of the actual completion of the international search	Date of mailing of the international search report	
16 March 2018 (16.03.2018)	22 March 2018 (22.03.2018)	
Name and mailing address of the ISA/RU: Federal Institute of Industrial Property, Berezhkovskaya nab., 30-1, Moscow, G-59, GSP-3, Russia, 125993 Facsimile No: (8-495) 531-63-18, (8-499) 243-33-37	Authorized officer D. Gudilin Telephone No. (499) 240-25-91	