



US00D939056S

(12) **United States Design Patent** (10) **Patent No.:** **US D939,056 S**
Diefenbach et al. (45) **Date of Patent:** **** Dec. 21, 2021**

(54) **WALL MOUNTED FAUCET**

FOREIGN PATENT DOCUMENTS

(71) Applicant: **HANSGROHE SE**, Schiltach (DE)

CN 302093141 9/2012
CN 302123951 10/2012
CN 304718129 7/2018
EM 000519095-0006 6/2006

(72) Inventors: **Andreas Diefenbach**,
Ludwigsburg-Ossweil (DE); **Alvaro Witt**, Stuttgart (DE)

* cited by examiner

(73) Assignee: **Hansgrohe SE**, Schiltach (DE)

Primary Examiner — Robert A Delehanty

(**) Term: **15 Years**

(74) *Attorney, Agent, or Firm* — Lora J. Graentzdoerffer

(21) Appl. No.: **29/727,487**

(57) **CLAIM**

(22) Filed: **Mar. 11, 2020**

The ornamental design for a wall mounted faucet, as shown and described.

(51) **LOC (13) Cl.** **23-01**

(52) **U.S. Cl.**
USPC **D23/254**

DESCRIPTION

(58) **Field of Classification Search**
USPC D23/238–243, 250, 524, 213;
D8/307–308, 353
See application file for complete search history.

FIG. 1 is a perspective view of a wall mounted faucet showing our design;
FIG. 2 is a front elevational view;
FIG. 3 is a rear elevational view;
FIG. 4 is a side elevational view;
FIG. 5 is a top plan view; and,
FIG. 6 is a bottom plan view.

The broken line disclosures in the view represents portions of the wall mounted faucet in which the claimed design is embodied, but which forms no part of the claimed design.

(56) **References Cited**

U.S. PATENT DOCUMENTS

D500,841 S * 1/2005 Citterio D23/238
D758,551 S * 6/2016 Flowers D23/255
D819,184 S * 5/2018 Seum D23/254
D828,516 S * 9/2018 Liu D23/242
D912,212 S * 3/2021 Liu D23/238

1 Claim, 6 Drawing Sheets

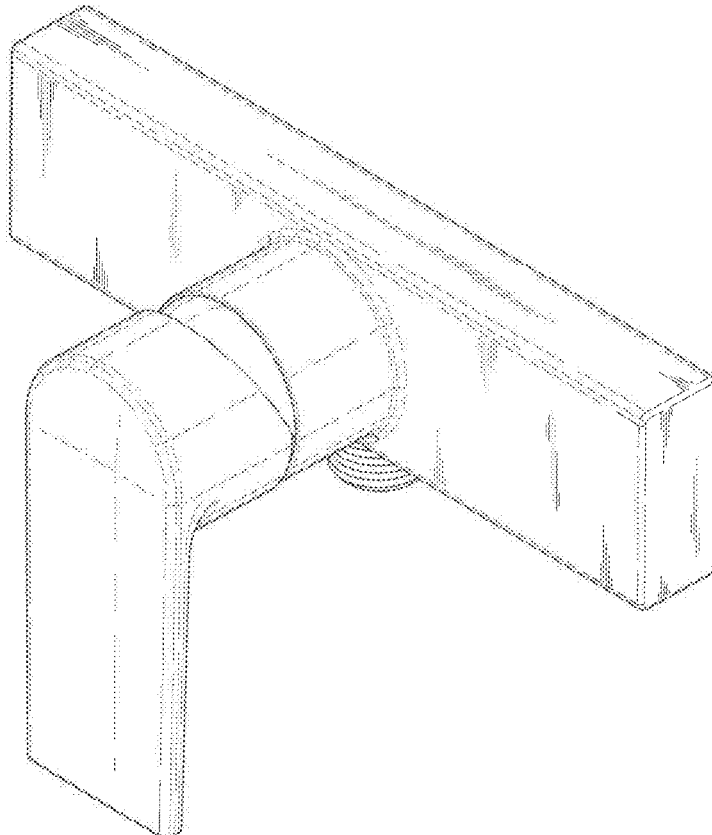


FIG. 1

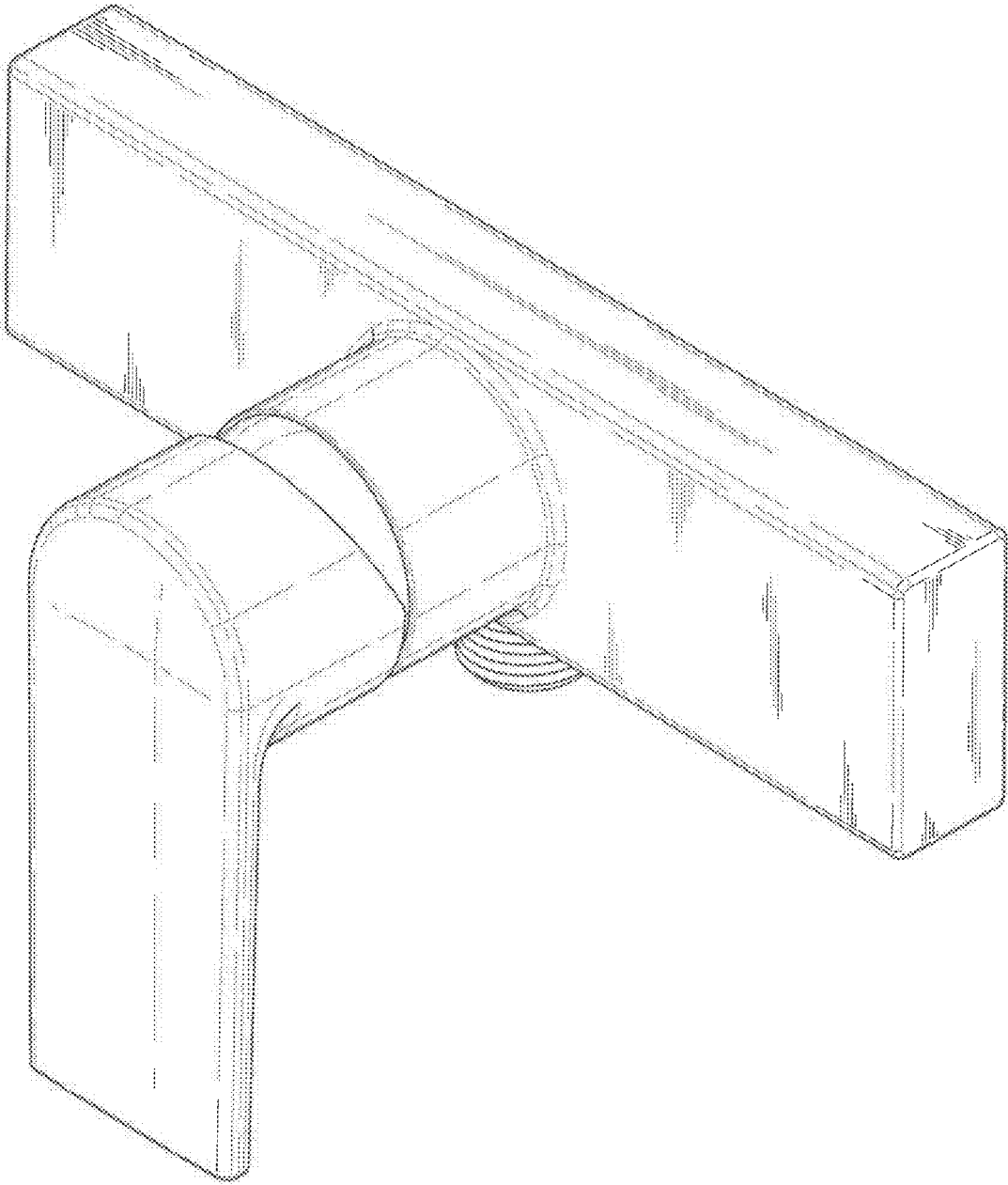


FIG. 2

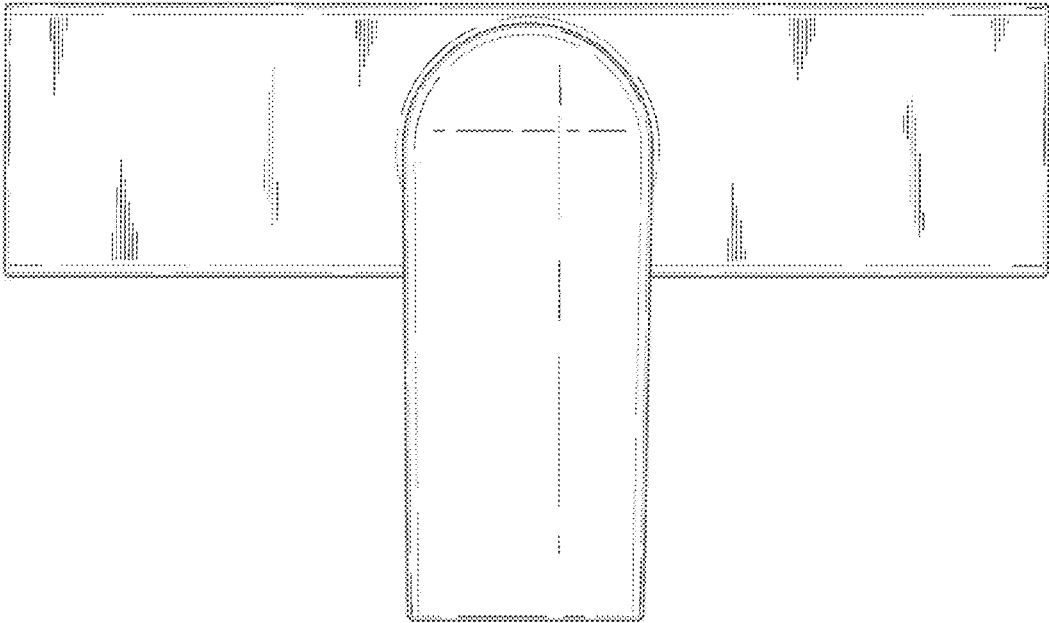


FIG. 3

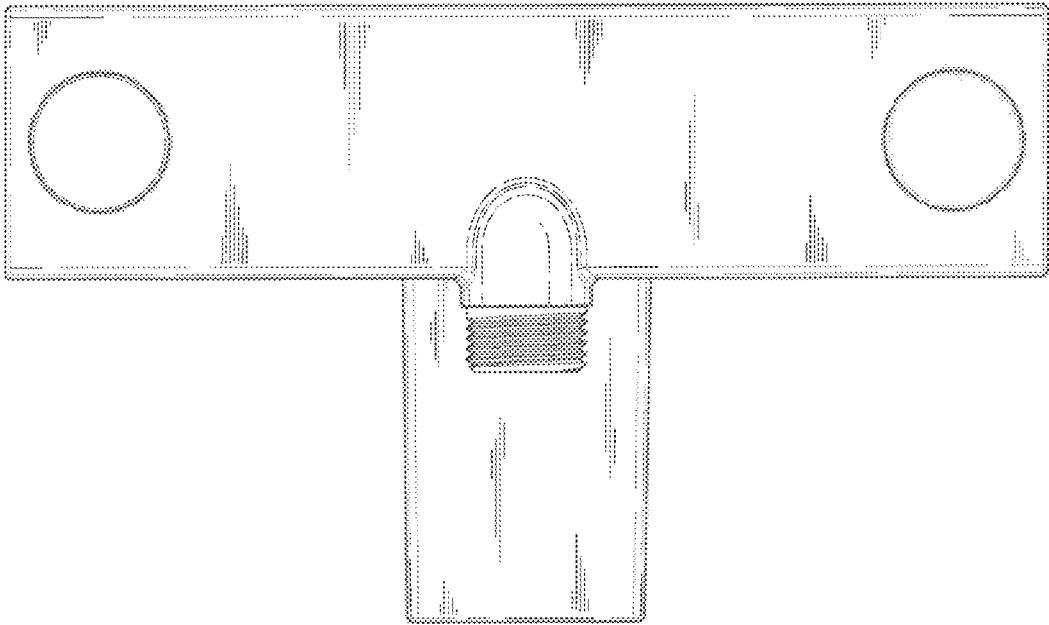


FIG. 4

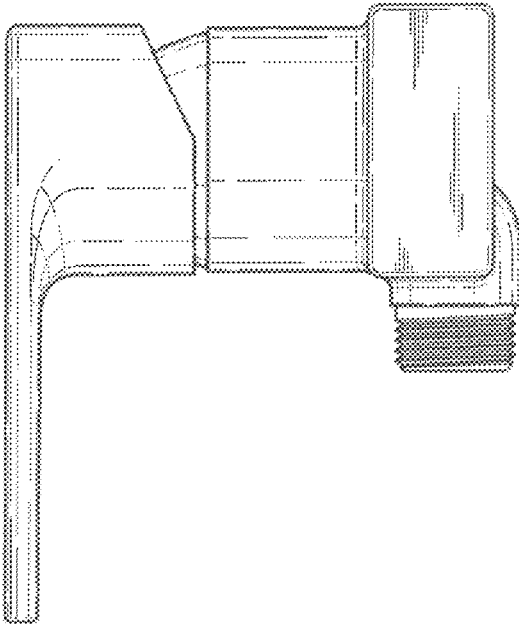


FIG. 5

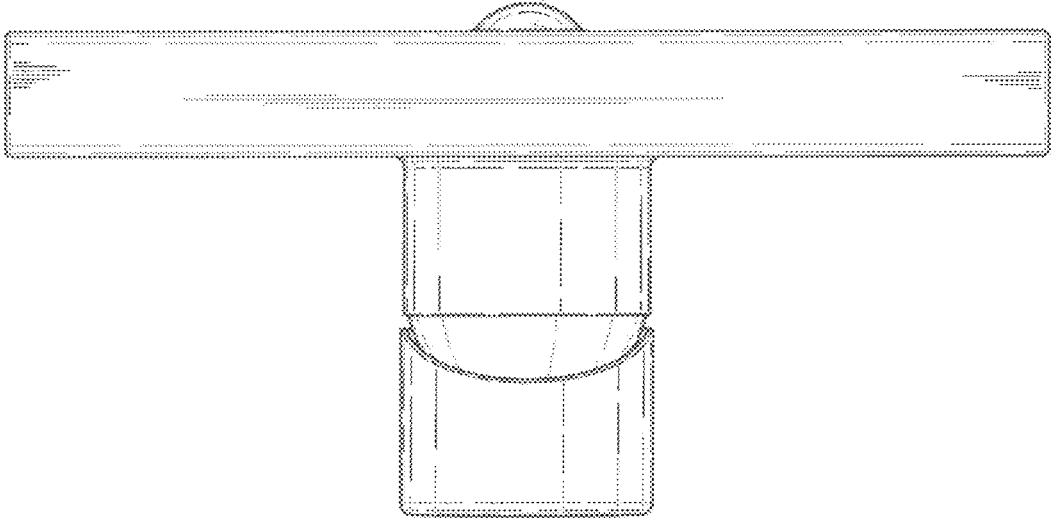


FIG. 6

