



US00D700959S

(12) **United States Design Patent**
Sickinger et al.

(10) **Patent No.:** **US D700,959 S**

(45) **Date of Patent:** **** Mar. 11, 2014**

(54) **AIR TREATMENT DEVICE**

(56)

References Cited

U.S. PATENT DOCUMENTS

- (71) Applicant: **The Yankee Candle Company, Inc.**,
South Deerfield, MA (US)
- (72) Inventors: **Jonathan Sickinger**, South Hadley, MA
(US); **Cheriyen B. Thomas**,
Farmington, CT (US); **John E. Cagle**,
South Deerfield, MA (US)
- (73) Assignee: **The Yankee Candle Company, Inc.**,
South Deerfield, MA (US)

D404,478	S	*	1/1999	Muderlak	D23/366
D430,659	S	*	9/2000	Zaragoza et al.	D23/367
D469,862	S	*	2/2003	Cruver et al.	D23/366
D471,654	S	*	3/2003	Schenck	D26/26
D480,462	S	*	10/2003	Conway et al.	D23/366
D512,771	S	*	12/2005	Conway et al.	D23/366
D568,555	S	*	5/2008	Gaa et al.	D32/3
D602,143	S	*	10/2009	Gammack et al.	D23/370
D602,615	S	*	10/2009	Liu	D26/26
D613,367	S	*	4/2010	Burt et al.	D23/208
D643,104	S	*	8/2011	Ediger et al.	D23/366
D657,040	S	*	4/2012	Young et al.	D23/367
D672,023	S	*	12/2012	Wallace et al.	D23/332

* cited by examiner

Primary Examiner — David Muller

(74) *Attorney, Agent, or Firm* — Wilmer Cutler Pickering
Hale and Dorr LLP

(**) Term: **14 Years**

(21) Appl. No.: **29/455,492**

(22) Filed: **May 21, 2013**

(51) **LOC (10) Cl.** **23-04**

(52) **U.S. Cl.**
USPC **D23/355**

(58) **Field of Classification Search**
USPC D23/355–366, 352, 369, 332, 333, 335,
D23/336, 342, 351; 422/120, 122; 55/356,
55/473, 504; 96/97; D14/188, 170, 172;
261/DIG. 17, DIG. 65, DIG. 88, DIG. 31;
D18/34.6

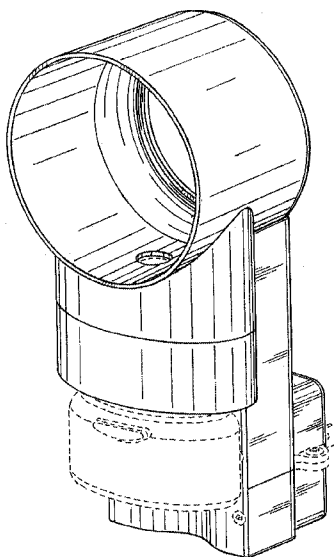
See application file for complete search history.

(57) **CLAIM**
I claim the ornamental design for an air treatment device, as
shown and described.

DESCRIPTION

FIG. 1 is a perspective view of an air treatment device of the
present invention.
FIG. 2 is a front view thereof;
FIG. 3 is a rear view thereof;
FIG. 4 is a left side view thereof;
FIG. 5 is a right side view thereof;
FIG. 6 is a top view thereof; and,
FIG. 7 is a bottom view thereof.

1 Claim, 6 Drawing Sheets



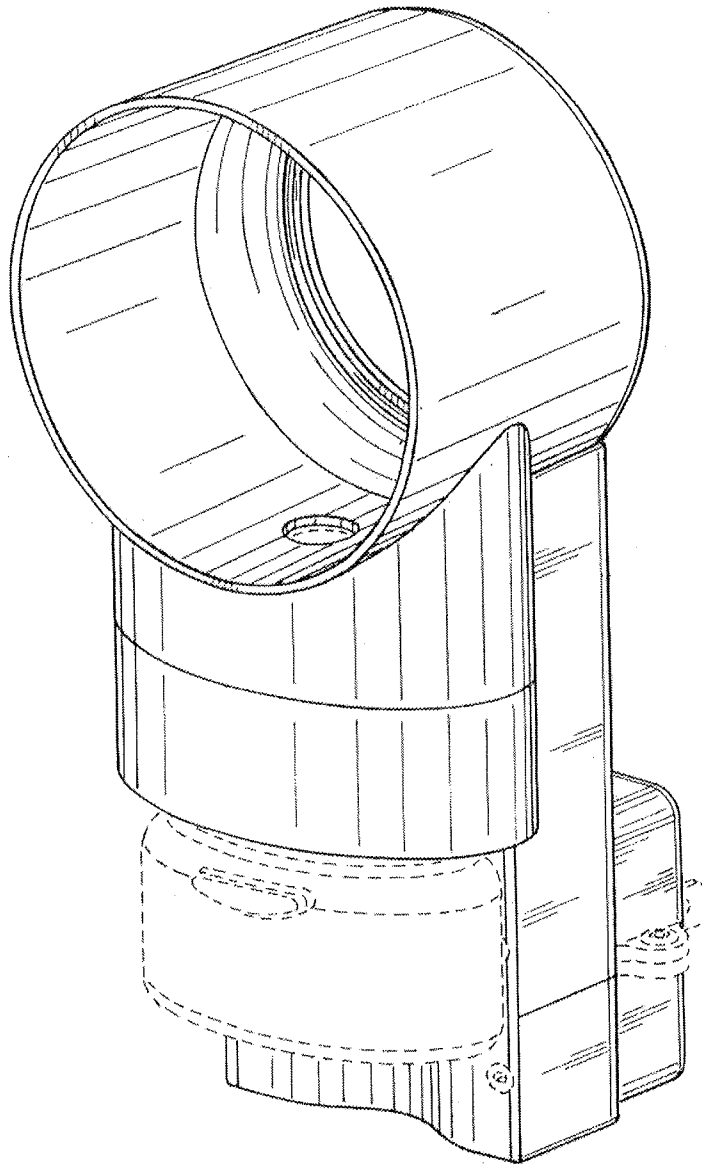


Fig. 1

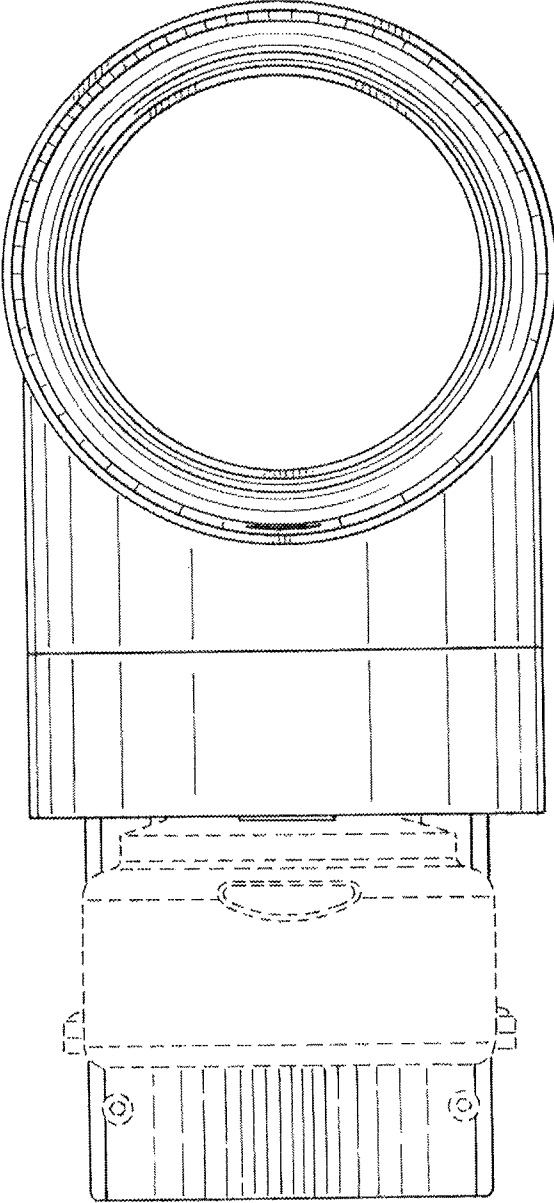


Fig. 2

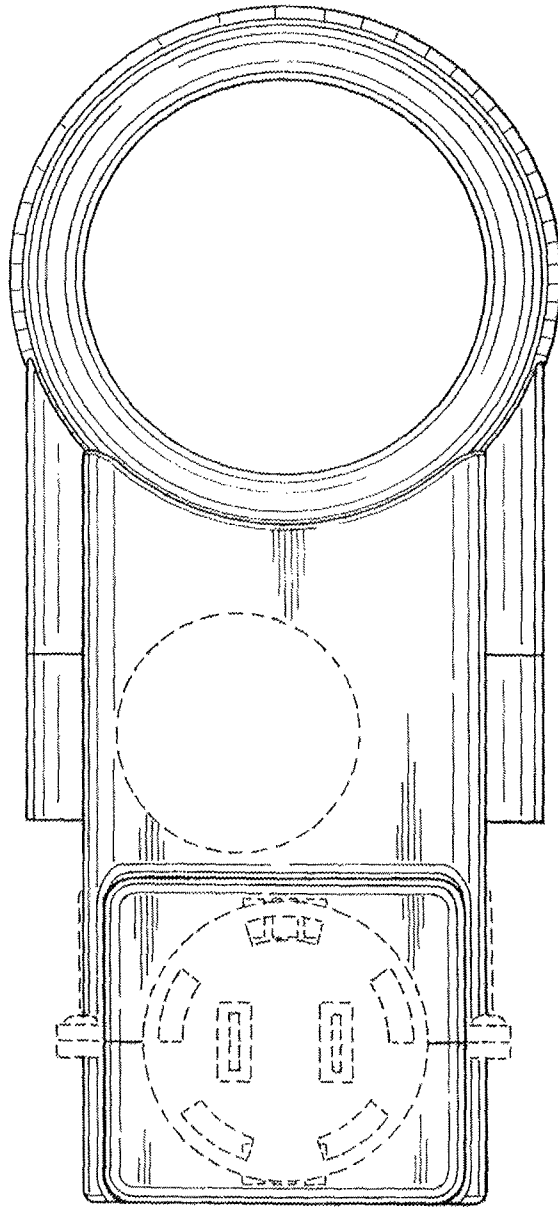


Fig. 3

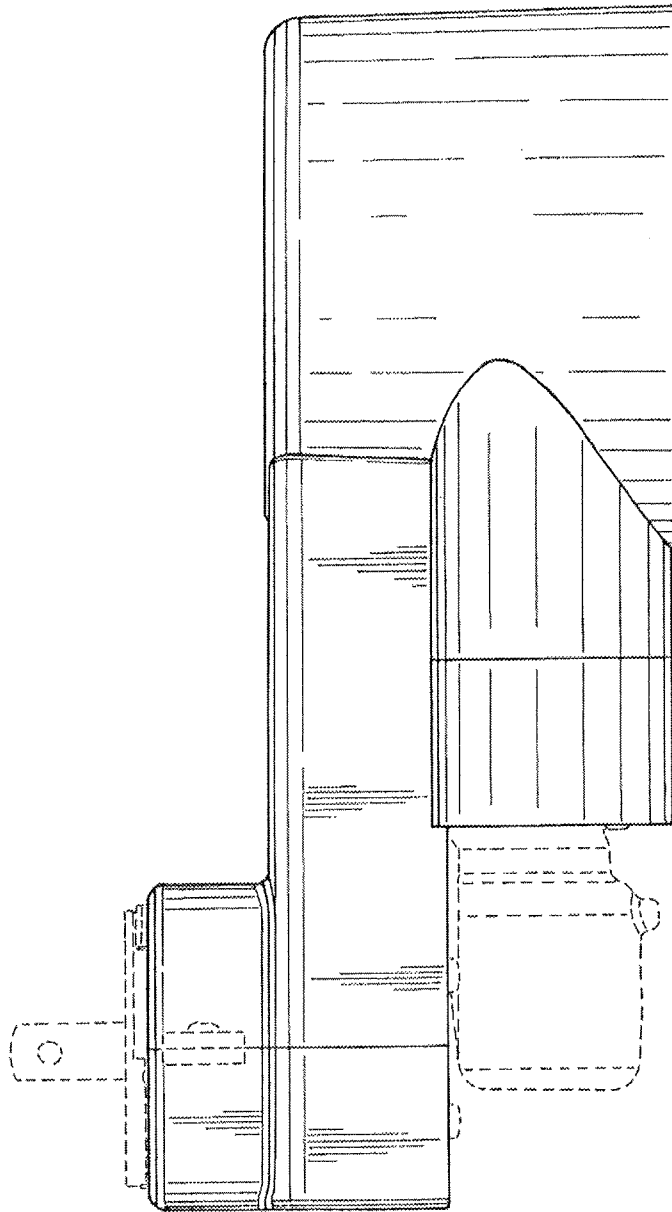


Fig. 4

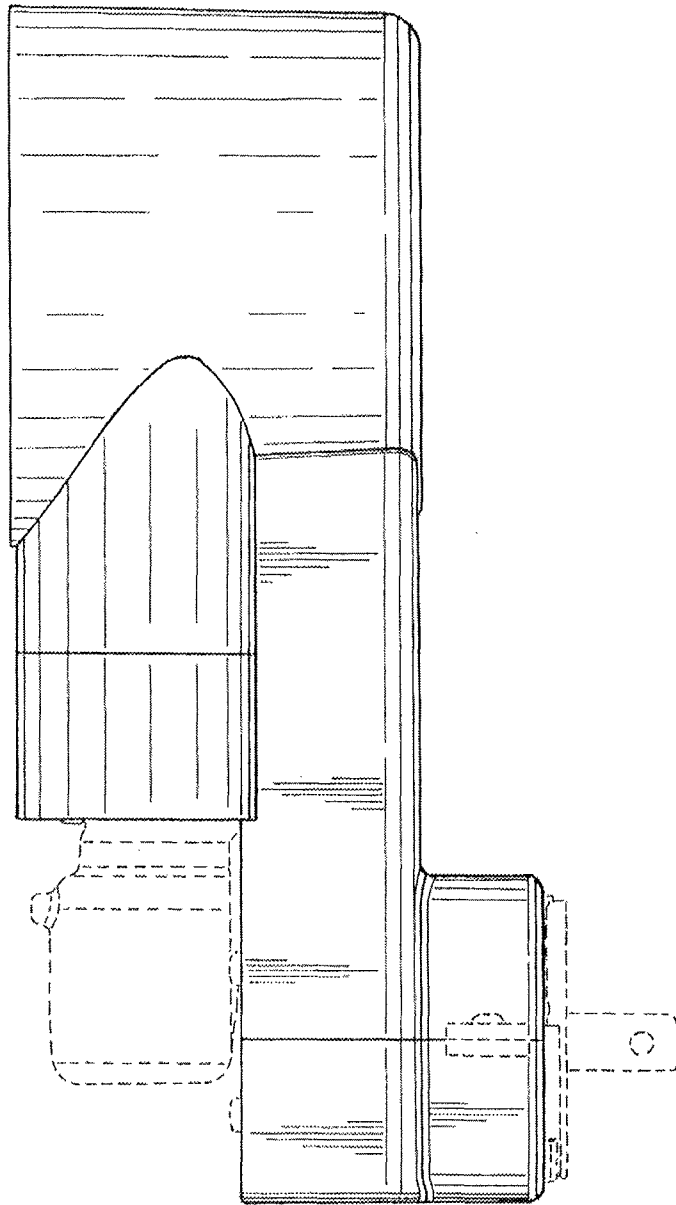


Fig. 5

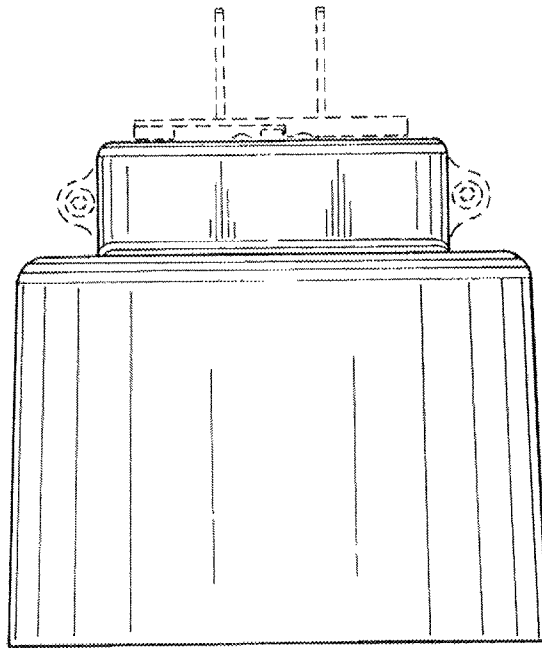


Fig. 6

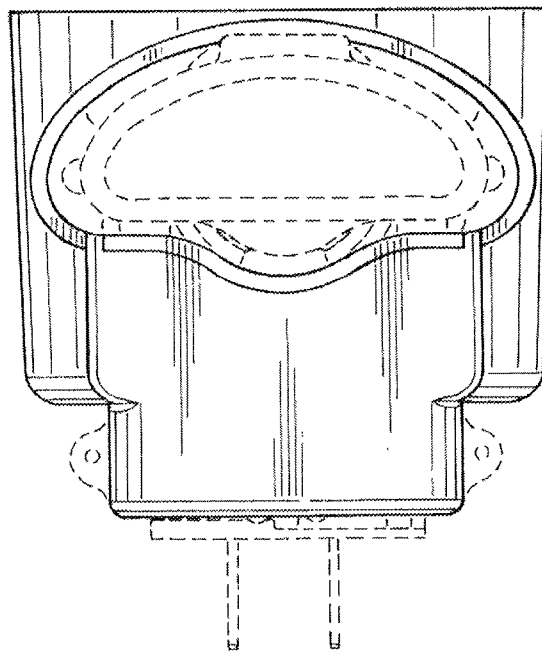


Fig. 7