



US00D818533S

(12) **United States Design Patent**
Su et al.

(10) **Patent No.:** US D818,533 S

(45) **Date of Patent:** ** May 22, 2018

(54) **PRINTER**

(71) Applicant: **Hewlett-Packard Development Company, L.P.**, Houston, TX (US)

(72) Inventors: **Jing Su**, Shanghai (CN); **Amy Pui Yee Wan**, Singapore (SG)

(73) Assignee: **Hewlett-Packard Development Company, L.P.**, Houston, TX (US)

(**) Term: **15 Years**

(21) Appl. No.: **29/566,597**

(22) Filed: **Jun. 1, 2016**

(51) **LOC (11) Cl.** **18-02**

(52) **U.S. Cl.**
USPC **D18/55**

(58) **Field of Classification Search**

USPC D18/12, 14, 18, 19, 36, 37, 38, 39, 43, D18/50, 54, 54.1, 55, 56, 99; D14/420, D14/421, 422, 423, 424, 425, 462, 463, D14/464, 465, 466, 467, 668, 469, 470, D14/480.5, 483, 484
CPC . B41J 31/16; B41J 32/02; B41J 19/202; B41J 29/377; B41J 15/042; B41J 3/4075; B41J 11/58; B41J 15/12; B41J 29/02; B41J 17/00

See application file for complete search history.

(56) **References Cited**

U.S. PATENT DOCUMENTS

D287,022 S * 12/1986 Kojima D18/36
D321,005 S * 10/1991 Hiroki D18/36
D448,403 S * 9/2001 Omuro 14/425
7,883,284 B2 * 2/2011 Asada B65H 1/266
271/127
D667,488 S * 9/2012 Inoue D18/55
D678,403 S * 3/2013 Seki D18/50

D680,162 S * 4/2013 Goh D14/421
D680,163 S * 4/2013 Lim D18/36
D681,107 S * 4/2013 Larson D14/420
D681,726 S * 5/2013 Yonekawa D14/421

(Continued)

OTHER PUBLICATIONS

HP OfficeJet Pro 7740 Wide Format All-in-One Printer, [online], [site visited Aug. 15, 2017]. Available from Internet, URL:<http://store.hp.com/us/en/pdp/hp-officejet-pro-7740-wide-format-all-in-one-printer>.*

Primary Examiner — Caron D Veynar

Assistant Examiner — Katrina N Gonzalez

(74) *Attorney, Agent, or Firm* — Morgan Lewis & Bockius LLP

(57) **CLAIM**

The ornamental design for a printer, as shown and described.

DESCRIPTION

FIG. 1 is a front, left, top, perspective view of a printer showing our new design;

FIG. 2 is a front, right, top, perspective view of the printer shown in FIG. 1;

FIG. 3 is a rear, left, top, perspective view of the printer shown in FIG. 1;

FIG. 4 is a front elevational view of the printer shown in FIG. 1;

FIG. 5 is a rear elevational view of the printer shown in FIG. 1;

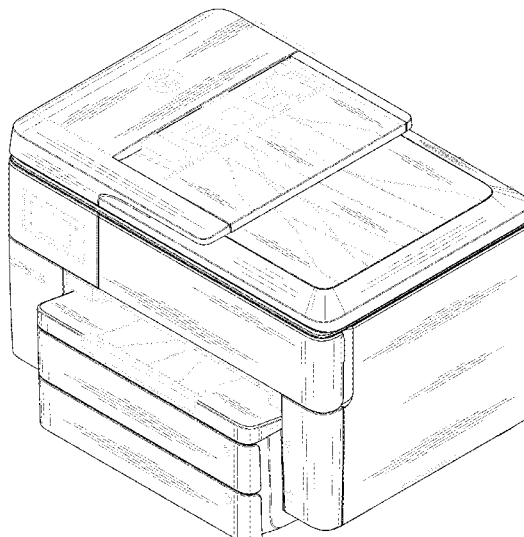
FIG. 6 is a left-side elevational view of the printer shown in FIG. 1;

FIG. 7 is a right-side elevational view of the printer or shown in FIG. 1;

FIG. 8 is a top plan view of the printer shown in FIG. 1; and, FIG. 9 is a bottom plan view of the printer shown in FIG. 1.

The broken lines shown in the drawings represent portions of the printer that form no part of the claimed design.

1 Claim, 9 Drawing Sheets



(56)

References Cited

U.S. PATENT DOCUMENTS

D689,543	S	*	9/2013	Seki	D18/50
D718,383	S	*	11/2014	Lo	D18/55
D727,410	S	*	4/2015	Saito	D18/36
D752,139	S	*	3/2016	Seki	D18/50
D758,483	S	*	6/2016	Seki	D18/50
D792,924	S	*	7/2017	Dwyer	D18/56

* cited by examiner

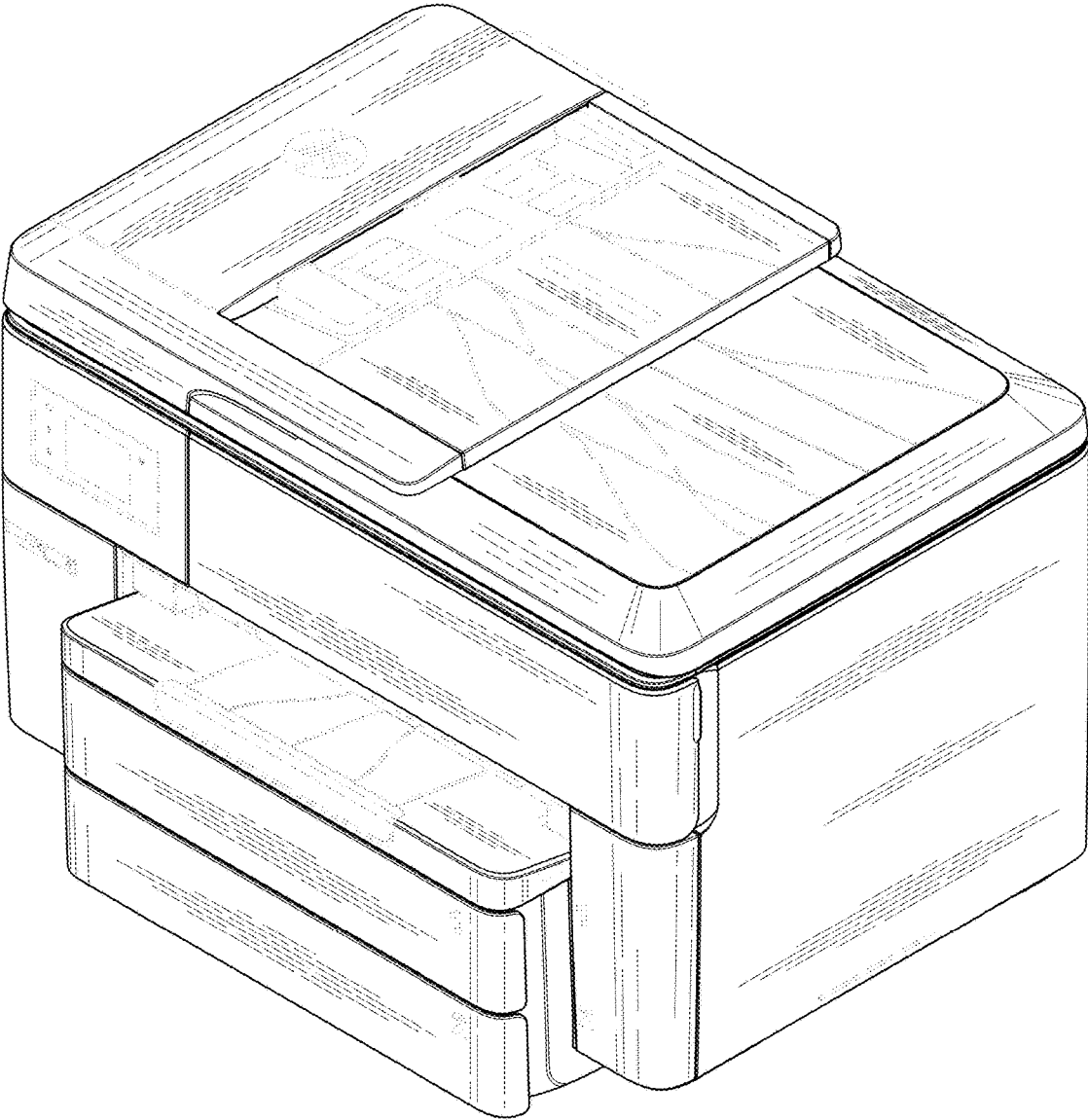


FIG. 1

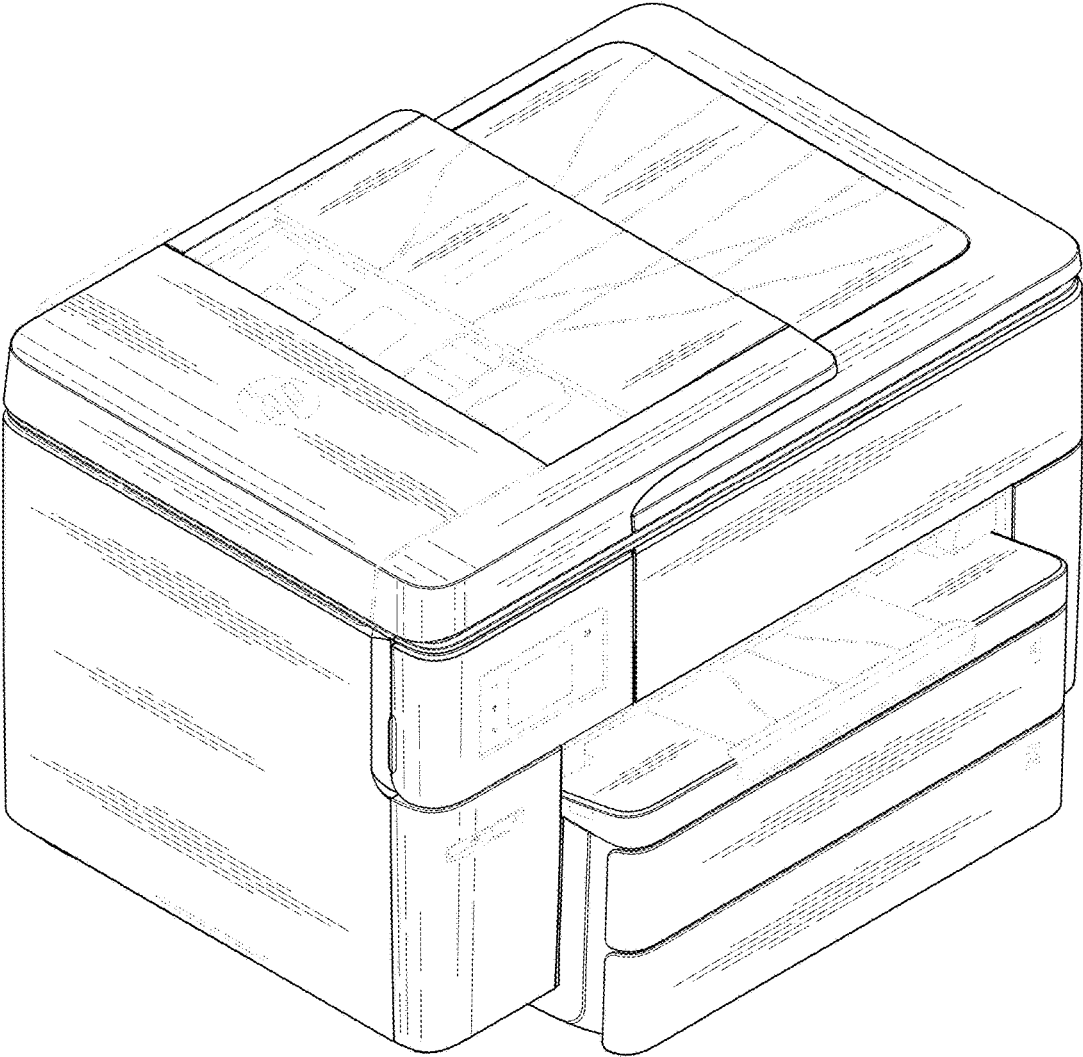


FIG. 2

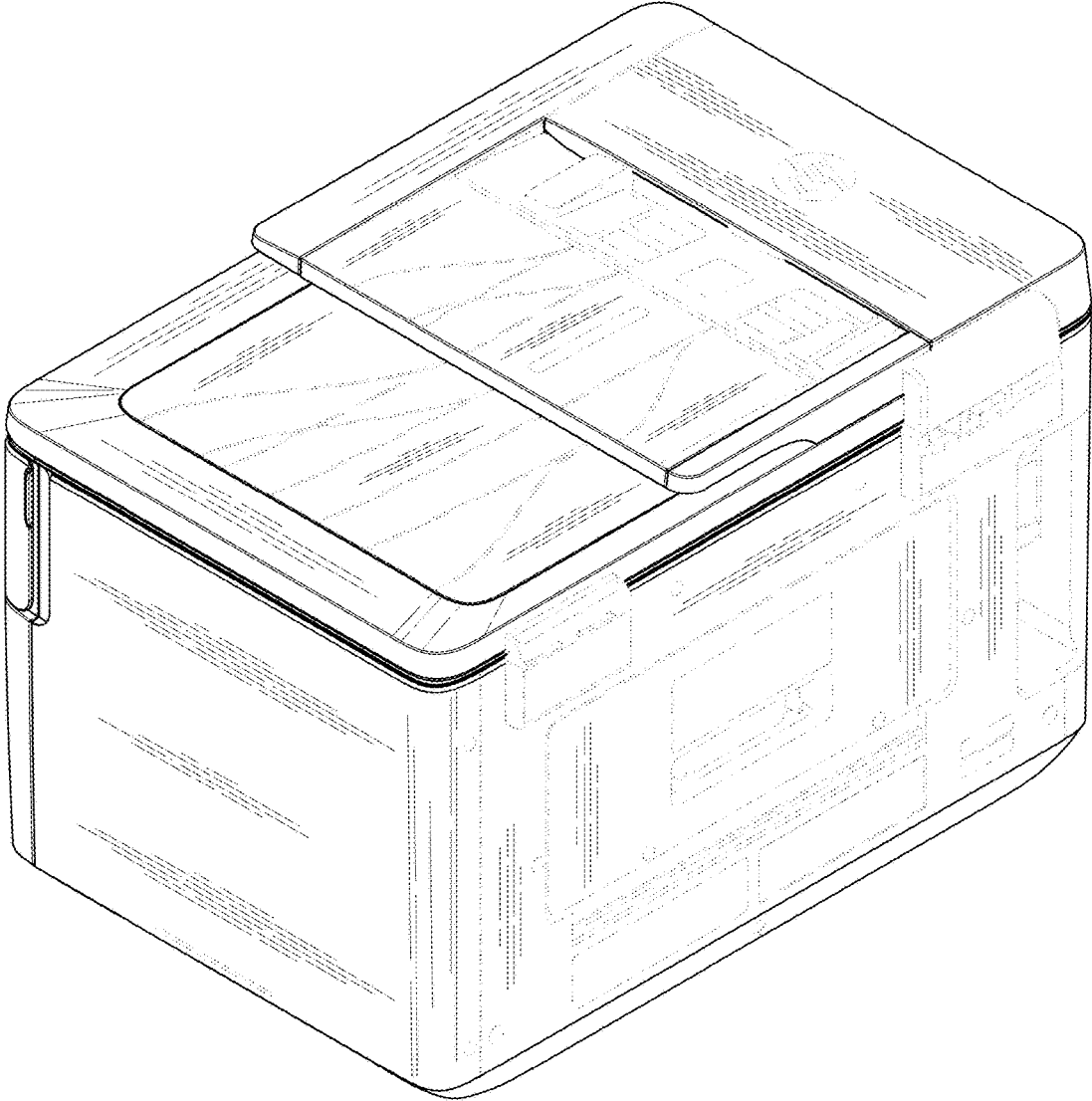


FIG. 3

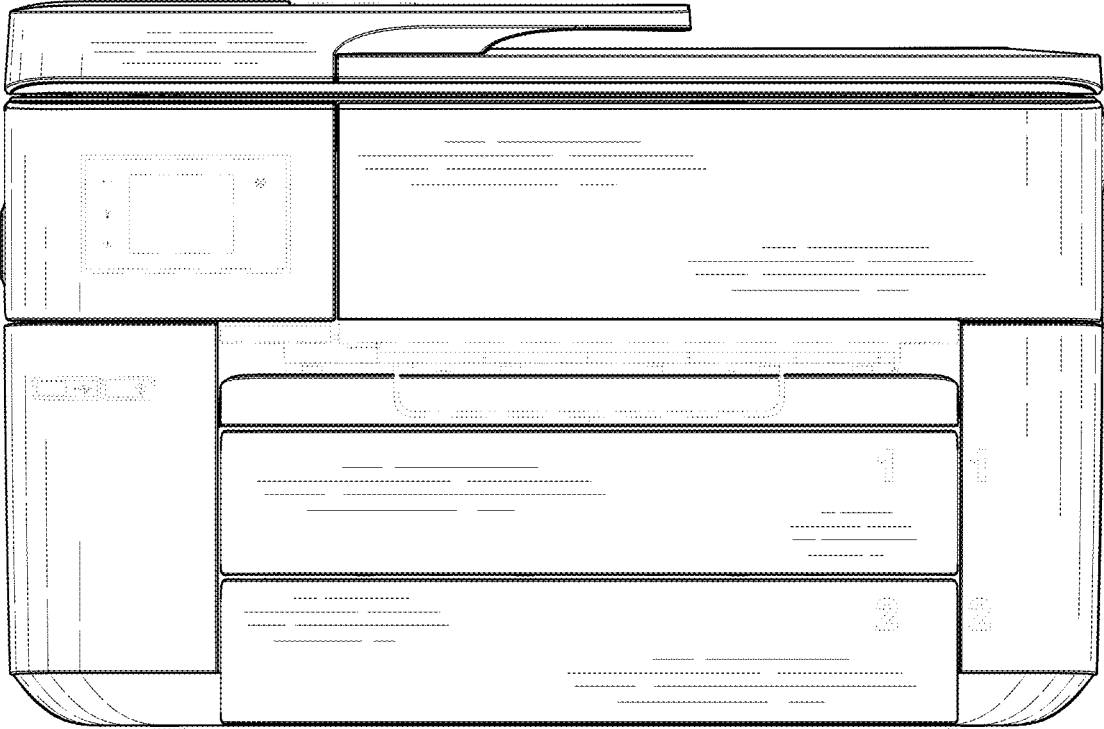


FIG. 4

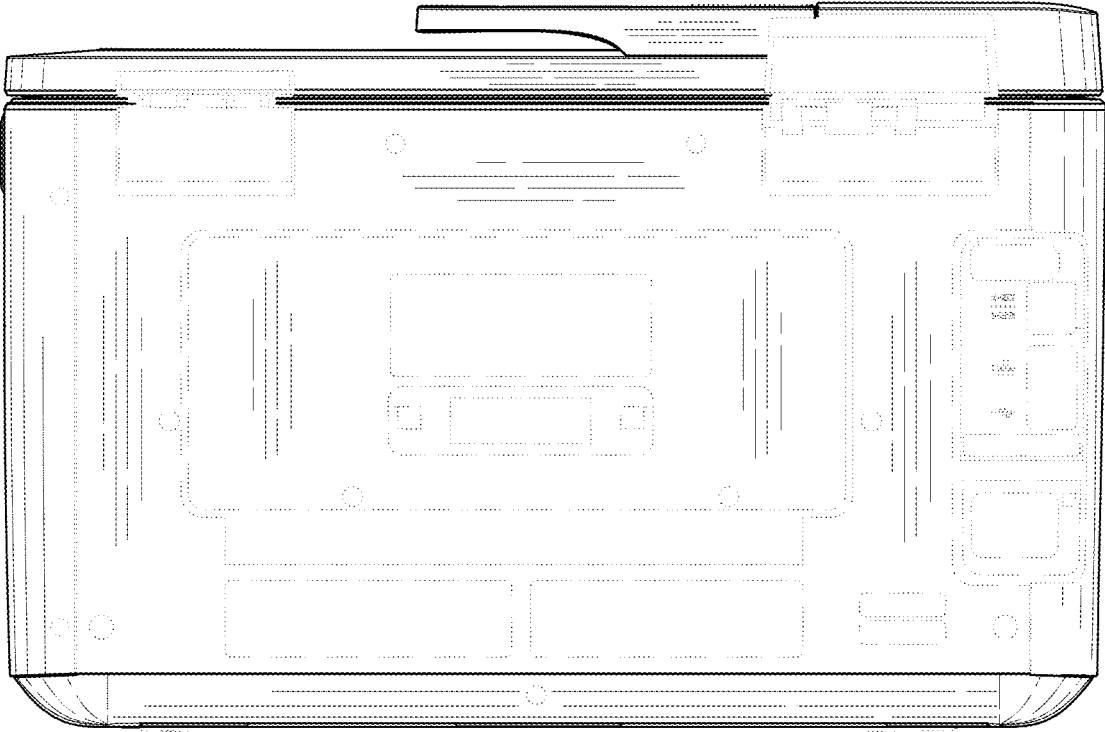


FIG. 5

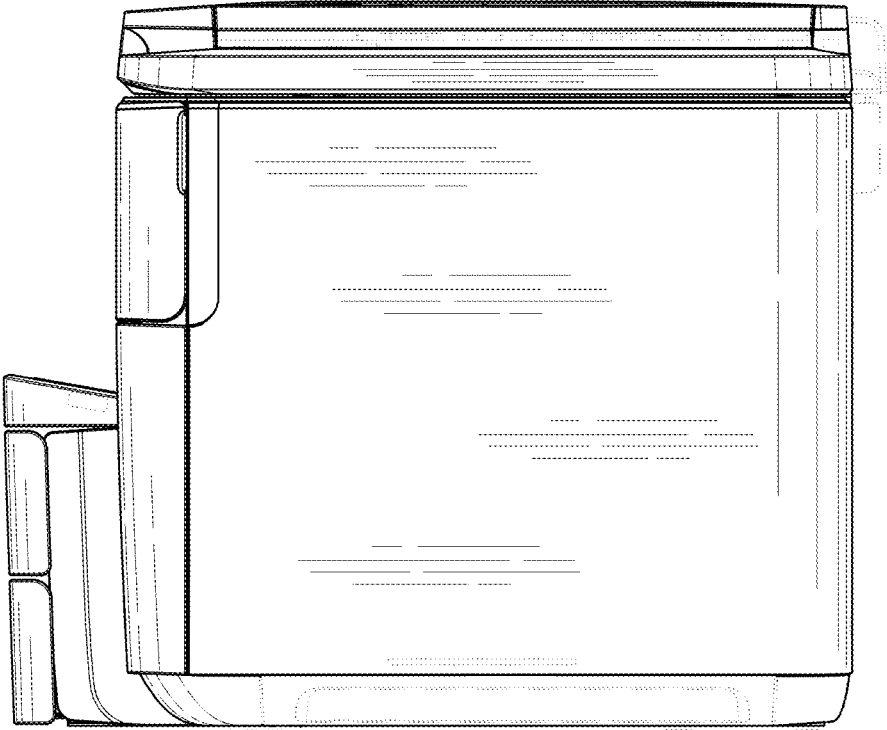


FIG. 6

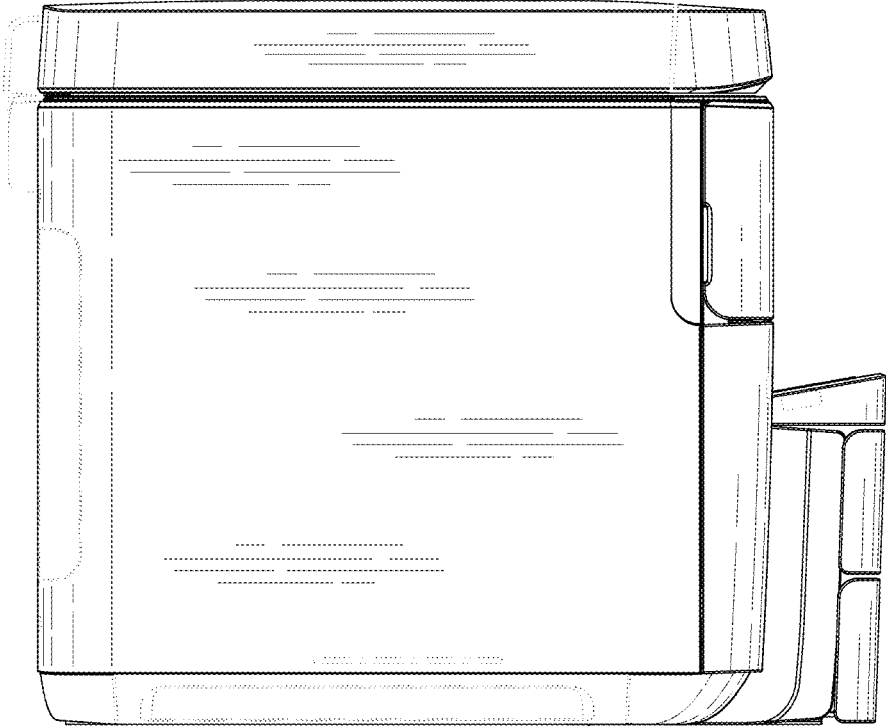


FIG. 7

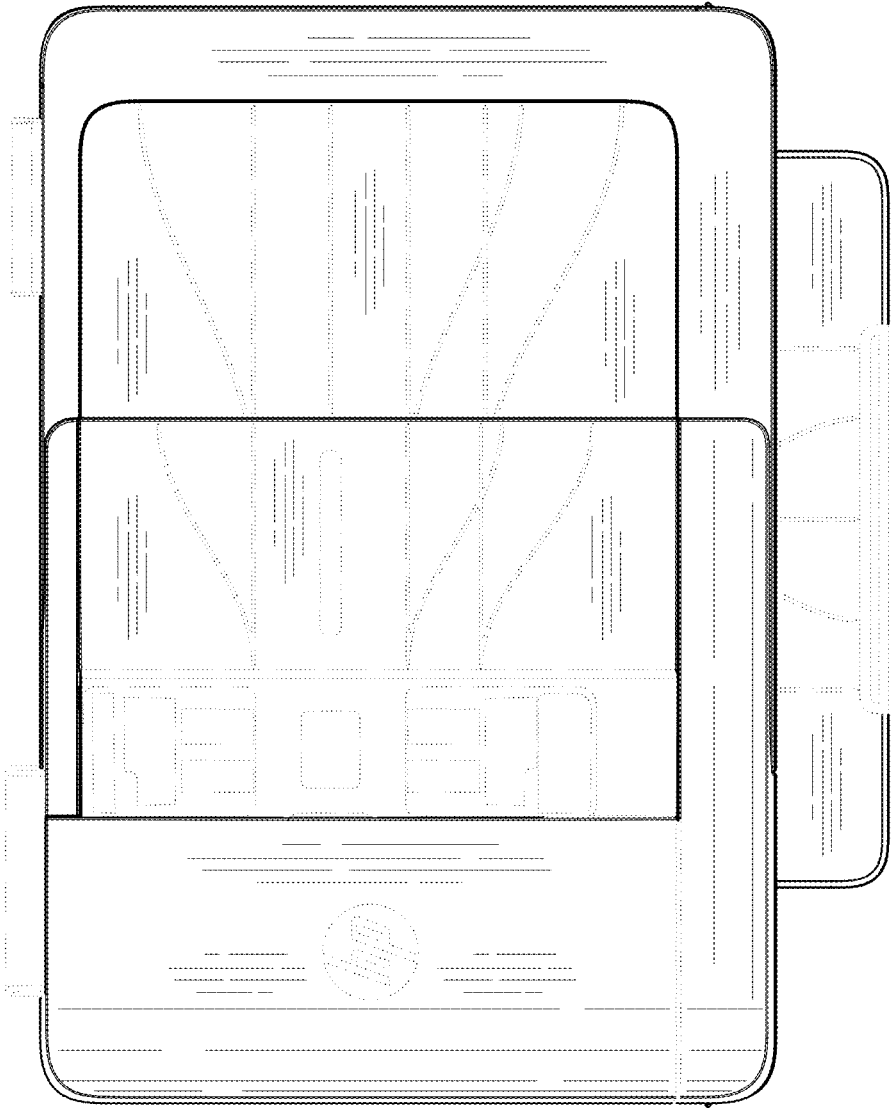


FIG. 8

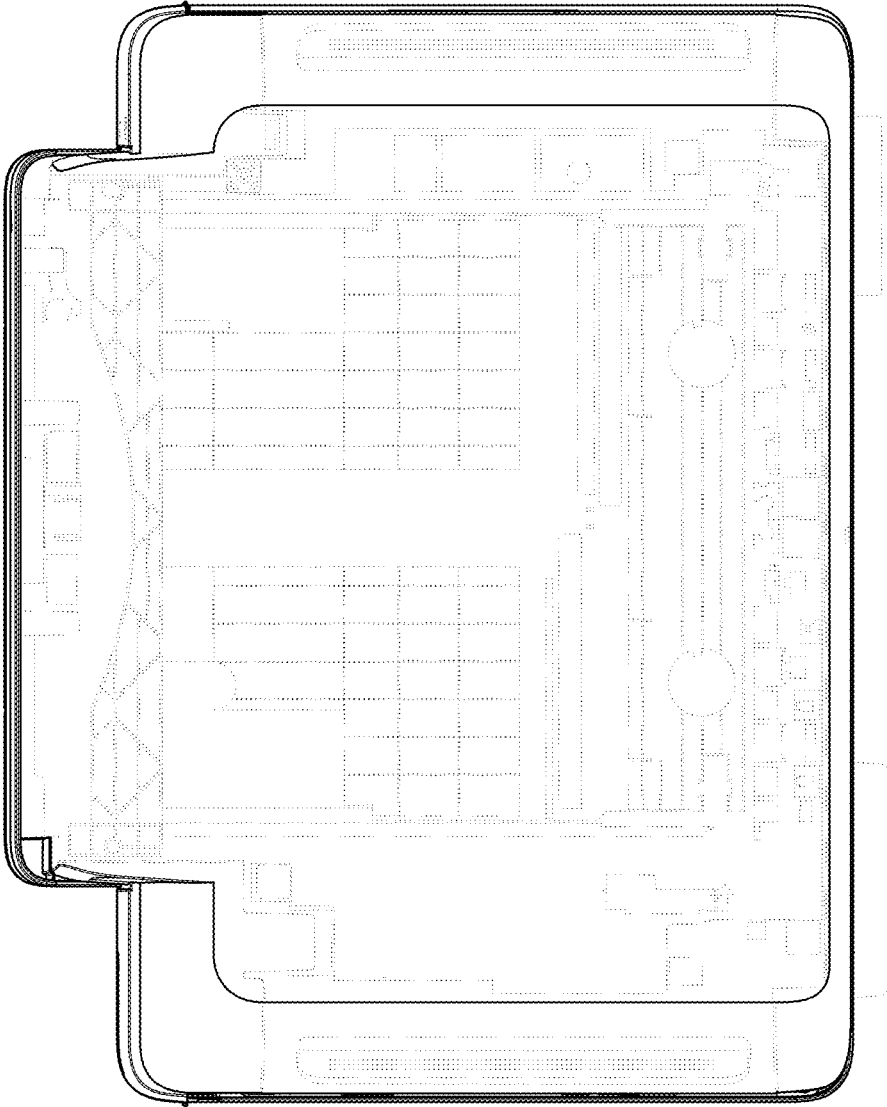


FIG. 9