



US00D686805S

(12) **United States Design Patent**
Day, Jr.

(10) **Patent No.:** **US D686,805 S**
(45) **Date of Patent:** **** Jul. 30, 2013**

(54) **MEN'S HIGH TOP SNEAKER**
(76) Inventor: **Wiley L. Day, Jr.**, Madison, AL (US)
(**) Term: **14 Years**
(21) Appl. No.: **29/387,145**
(22) Filed: **Mar. 9, 2011**
(51) **LOC (9) Cl.** **02-04**
(52) **U.S. Cl.**
USPC **D2/902**
(58) **Field of Classification Search**
USPC D2/896, 902, 905, 907, 908, 929,
D2/943, 944, 945, 946, 969, 970, 971-978,
D2/930; 36/83, 113-116, 126-131, 45, 46.5,
36/47-49, 50.1, 50.5, 51-58, 3 A, 3 R
See application file for complete search history.

D590,579 S * 4/2009 Cofinco D2/902
D611,230 S * 3/2010 Choi D2/902
D611,240 S * 3/2010 Choi D2/969
D613,041 S * 4/2010 Thompson D2/902
D634,519 S * 3/2011 Choi D2/902
2002/0178611 A1* 12/2002 Farys 36/7.6

* cited by examiner

Primary Examiner — Elizabeth J Oswecki
(74) *Attorney, Agent, or Firm* — George P. Kobler; Lanier Ford Shaver & Payne P.D.

(56) **References Cited**
U.S. PATENT DOCUMENTS
D230,440 S 2/1974 Cohen
D283,366 S * 4/1986 Chassaing D2/902
D283,463 S * 4/1986 Chassaing D2/902
D284,043 S * 6/1986 Lowe et al. D2/902
D297,781 S 9/1988 Diaz et al.
D356,206 S * 3/1995 Martin D2/902
D366,135 S 1/1996 Henderson, Jr. et al.
D399,340 S * 10/1998 James D2/902
D446,920 S * 8/2001 Duclos D2/969
7,325,336 B2* 2/2008 Yamashita et al. 36/102

(57) **CLAIM**
The ornamental design for a men's high top sneaker, as shown and described.

DESCRIPTION

FIG. 1 is a perspective view of a men's high top sneaker showing my new design;
FIG. 2 is a right side view thereof;
FIG. 3 is a left side view thereof;
FIG. 4 is a front view thereof;
FIG. 5 is a rear view thereof; and,
FIG. 6 is a top view thereof.
The broken lines shown in the drawings represent portions of the men's high top sneaker that form no part of the claimed design.

1 Claim, 5 Drawing Sheets

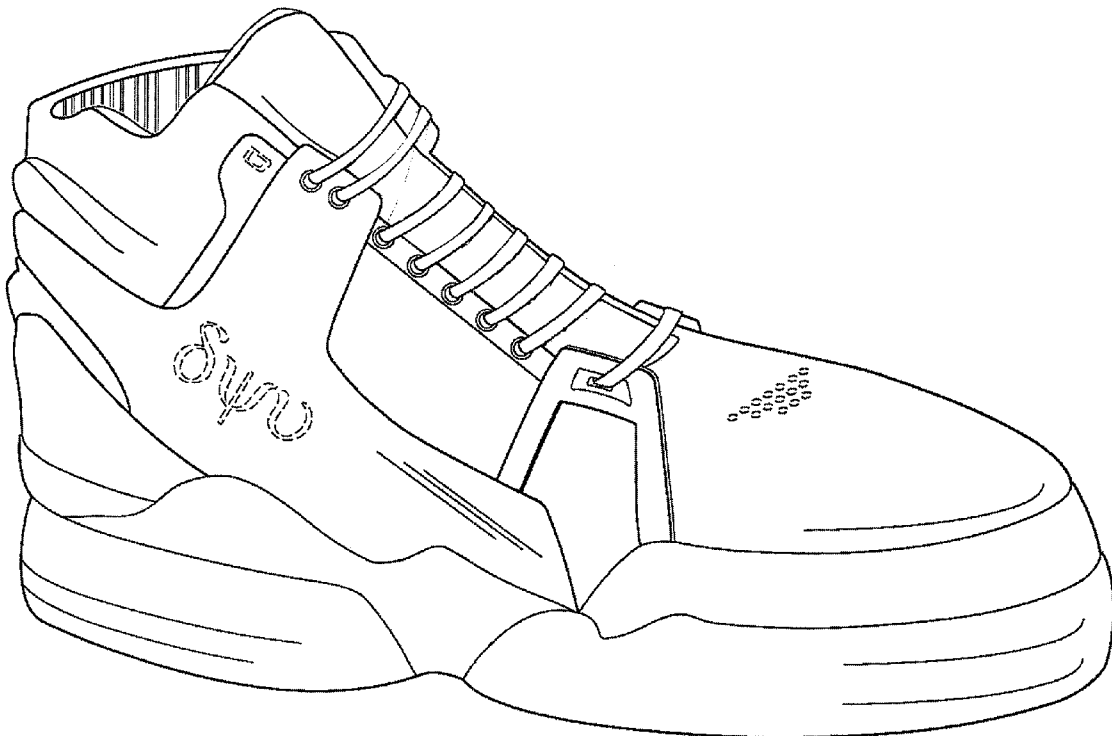
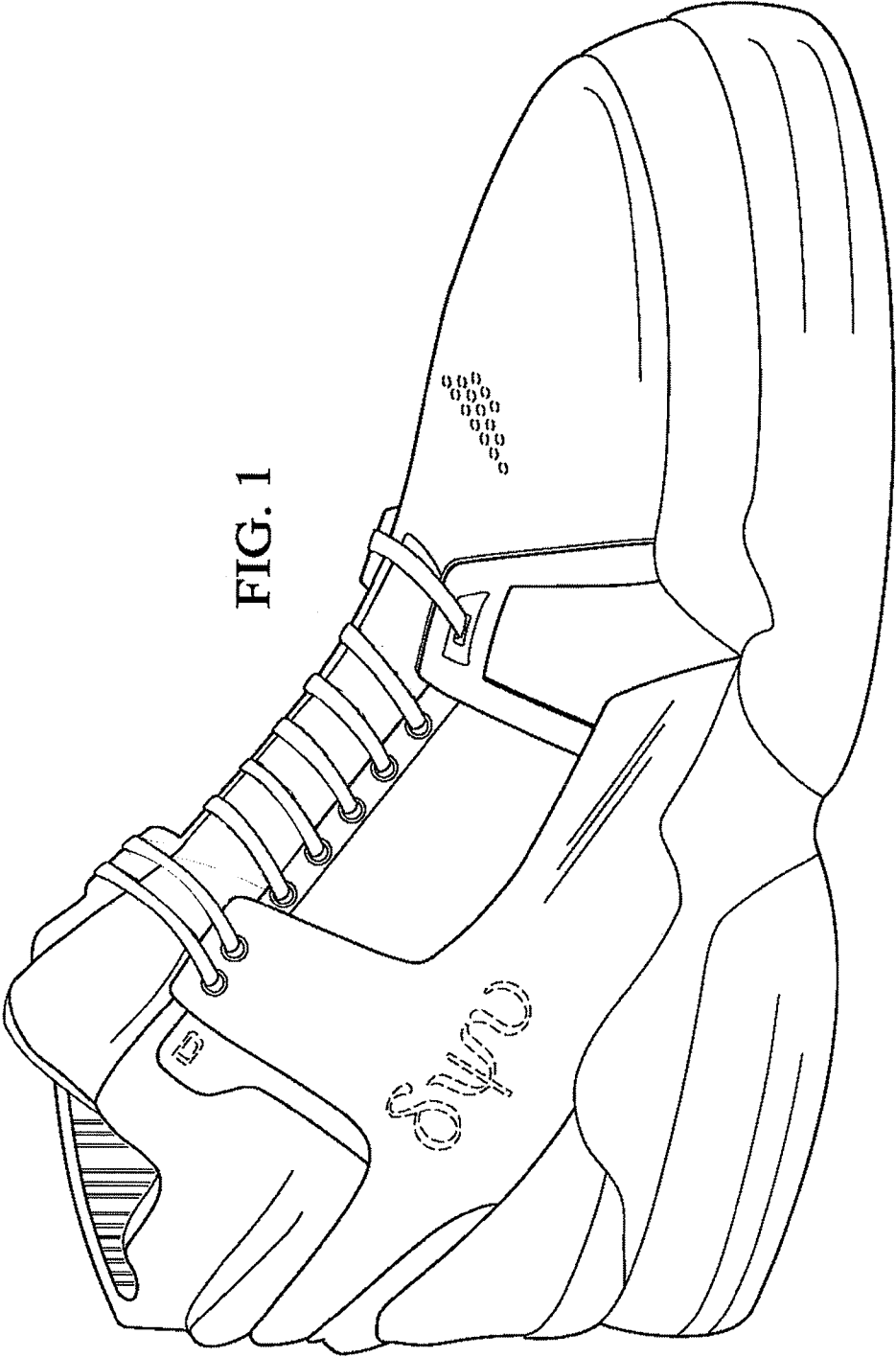


FIG. 1



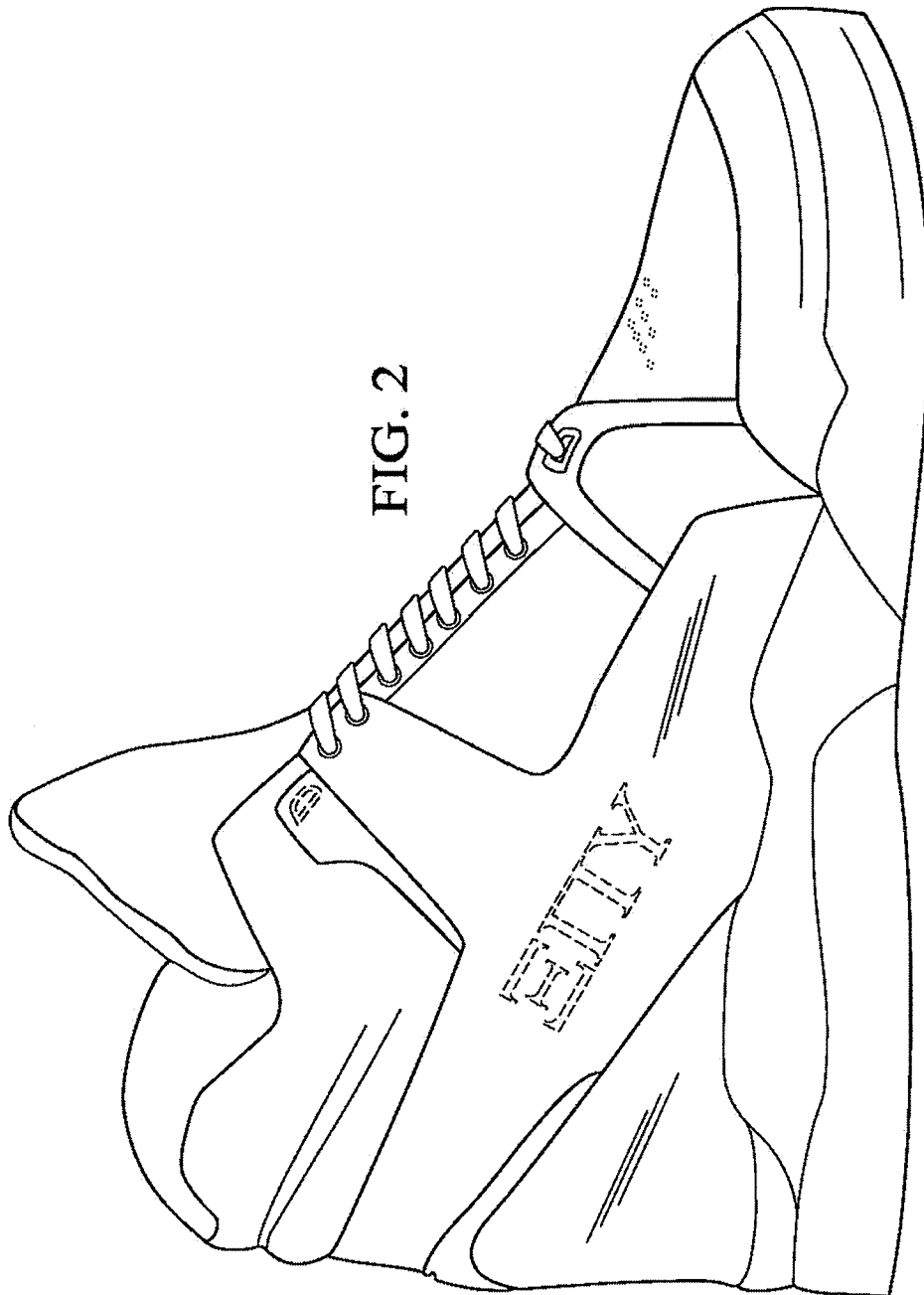


FIG. 2

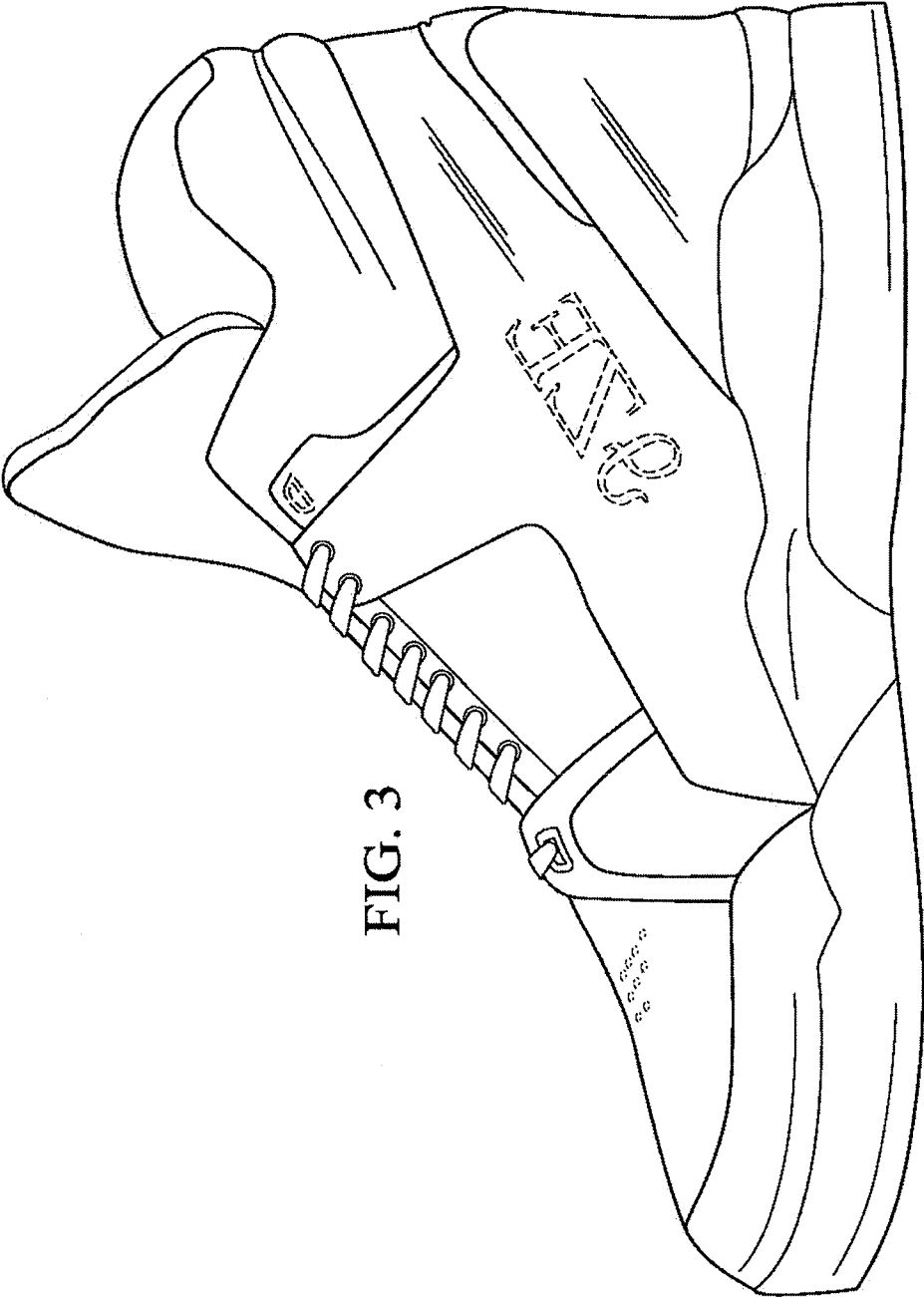


FIG. 3

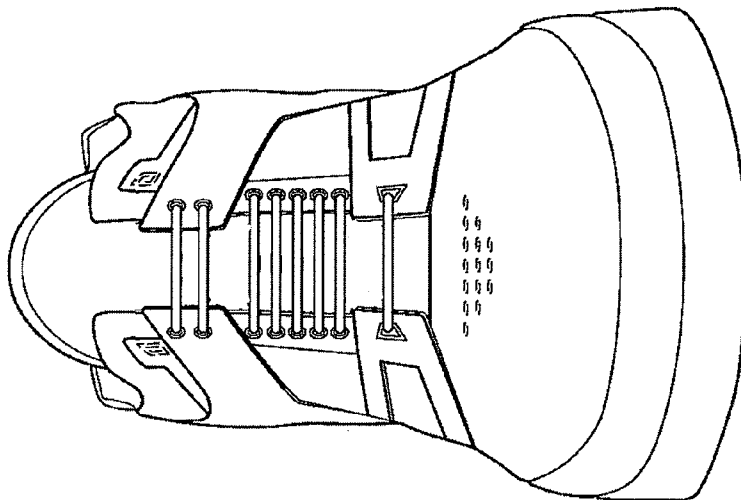


FIG. 4

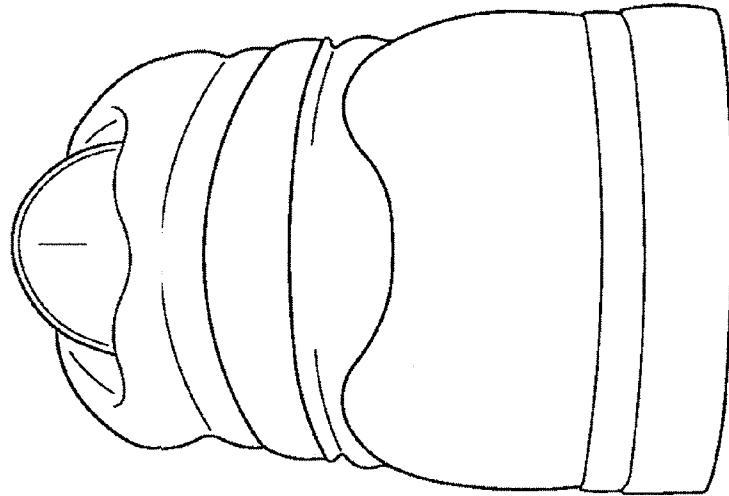


FIG. 5

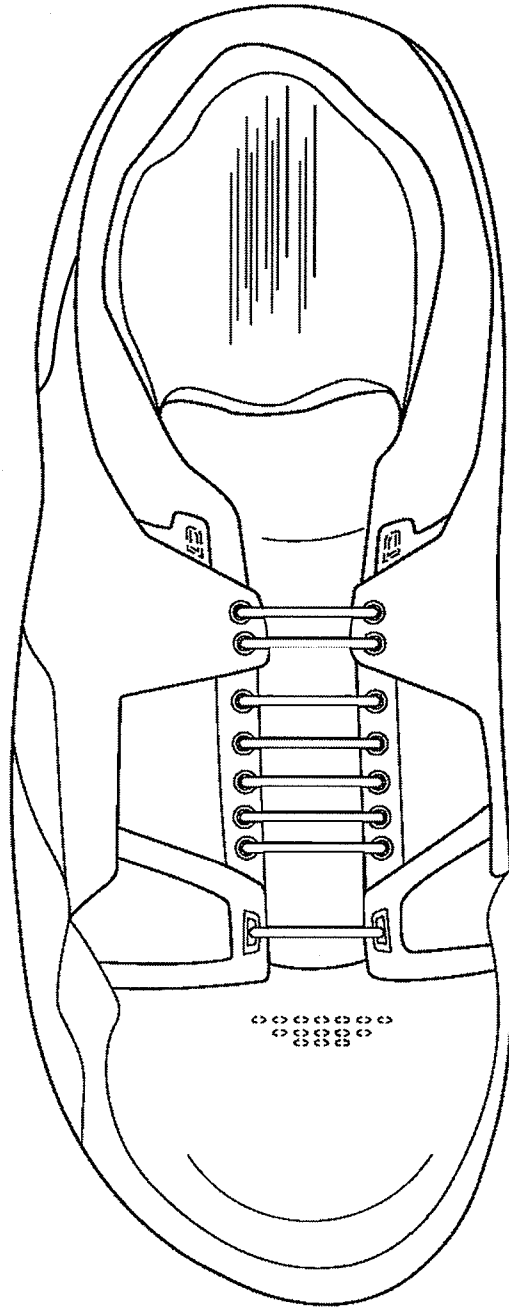


FIG. 6