



US00D572056S

(12) **United States Design Patent**
McConnell

(10) **Patent No.:** **US D572,056 S**

(45) **Date of Patent:** **** Jul. 1, 2008**

(54) **SHELF**

(75) Inventor: **Jennifer McConnell**, Greensboro, NC
(US)

(73) Assignee: **Liberty Hardware Mfg. Corp.**,
Winston-Salem, NC (US)

(**) Term: **14 Years**

(21) Appl. No.: **29/286,055**

(22) Filed: **Apr. 20, 2007**

(51) **LOC (8) Cl.** **06-04**

(52) **U.S. Cl.** **D6/511**; D6/574

(58) **Field of Classification Search** D6/320-324,
D6/402, 411, 475, 449, 466, 481, 485, 491,
D6/509-511, 500, 547, 553, 566-567, 572,
D6/574, 580; D7/698; D26/94; 108/28-29,
108/152; 211/13.1, 42, 71.01, 86.01, 88.01,
211/88.03, 90.01, 90.03, 126.1, 133.5, 134,
211/153, 182; 248/205.3, 235, 243, 247,
248/249, 250; 312/108, 229, 140.2; 40/650;
52/287.1

See application file for complete search history.

(56) **References Cited**

U.S. PATENT DOCUMENTS

560,884 A * 5/1896 Anderson et al. 248/249
1,944,070 A * 1/1934 Esdorn 40/650

2,411,620 A * 11/1946 English 312/140.2
D260,832 S * 9/1981 Verdesca et al. D6/572
5,170,723 A * 12/1992 Lewkowicz 108/152
D348,374 S * 7/1994 Dandurand D7/698
D376,737 S * 12/1996 Hecker D7/698
6,164,610 A * 12/2000 Santiago 248/235
6,260,489 B1 * 7/2001 Weaver et al. 108/152
7,200,970 B2 * 4/2007 Koenig et al. 52/287.1
D546,611 S * 7/2007 Bouroullec et al. D6/574
D556,362 S * 11/2007 Pfund et al. D26/94
2005/0193664 A1 * 9/2005 Koenig et al. 52/287.1

* cited by examiner

Primary Examiner—Mimosa De
Assistant Examiner—Ricky Pham
(74) *Attorney, Agent, or Firm*—Edgar A. Zarins; Lloyd D.
Doigan

(57) **CLAIM**

The ornamental design for a shelf, as shown and described.

DESCRIPTION

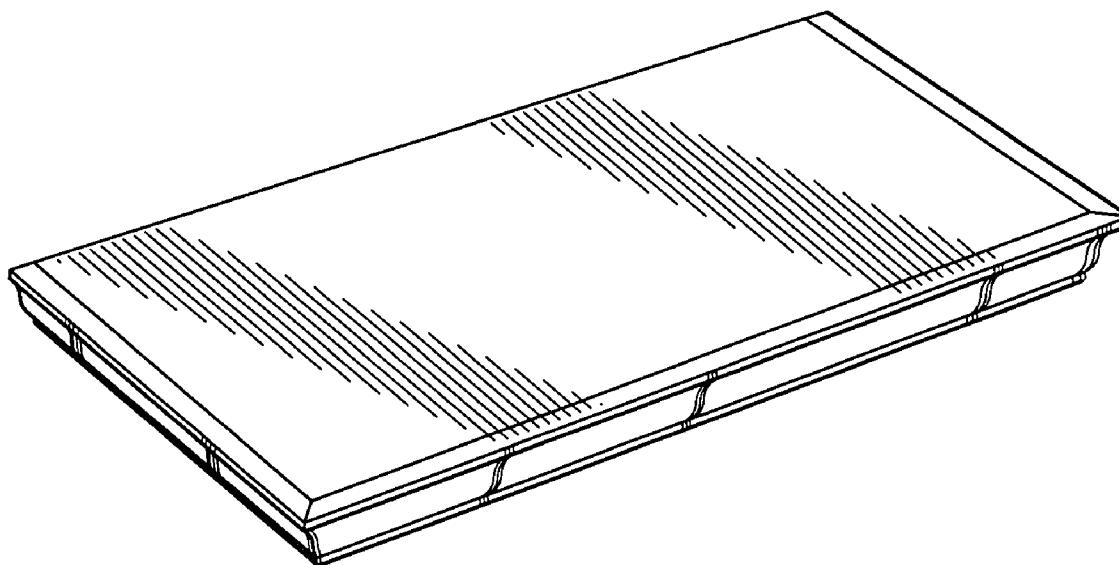
FIG. 1 is a perspective view of a shelf showing my new design;

FIG. 2 is a top plan view thereof;

FIG. 3 is right end view thereof, the opposite end being a mirror image of that end shown; and,

FIG. 4 is a front elevational view thereof.

1 Claim, 1 Drawing Sheet



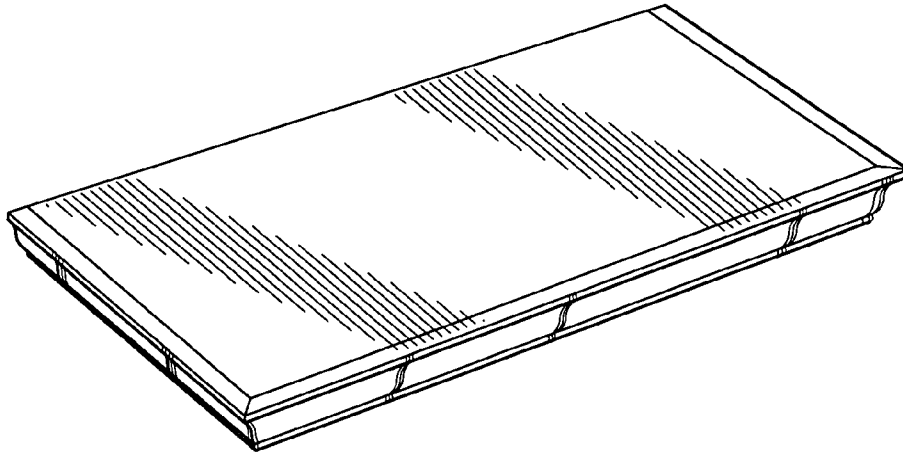


Fig-1

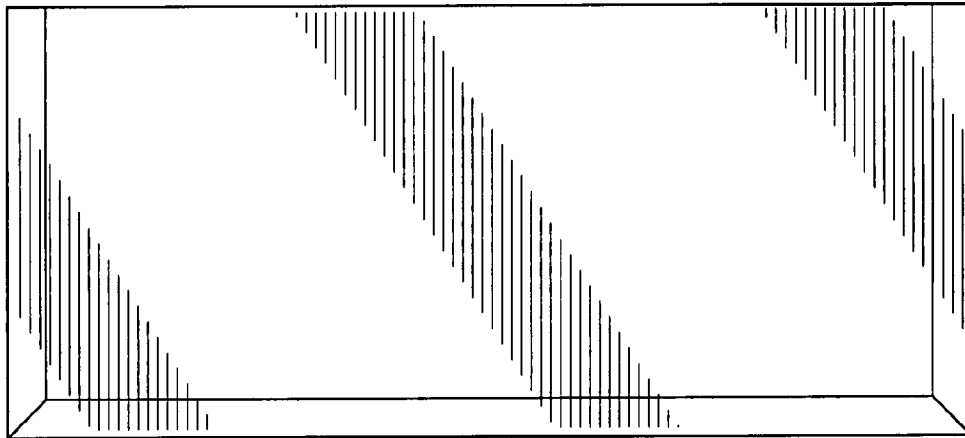


Fig-2

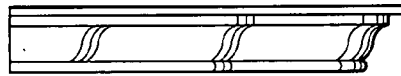


Fig-3

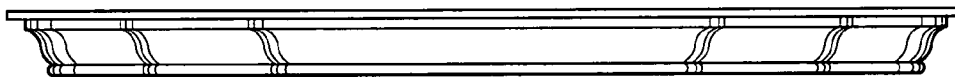


Fig-4