



US00D554992S

(12) **United States Design Patent**
Mangin et al.

(10) **Patent No.:** **US D554,992 S**

(45) **Date of Patent:** **** Nov. 13, 2007**

(54) **BOTTLE TRANSITION PIECE**

(75) Inventors: **Raphael Louis Mangin**, Frascati (IT);
Guy Hubert Stephane Sylvain
Culeron, Rhode Saint Genese (BE)

(73) Assignee: **The Procter & Gamble Company**,
Cincinnati, OH (US)

(**) Term: **14 Years**

(21) Appl. No.: **29/288,001**

(22) Filed: **Jul. 2, 2007**

Related U.S. Application Data

(60) Division of application No. 29/240,103, filed on Oct. 7, 2005, which is a continuation-in-part of application No. 29/233,282, filed on Jun. 30, 2005, now Pat. No. Des. 526,899.

(51) **LOC (8) Cl.** **09-07**

(52) **U.S. Cl.** **D9/434; D9/448**

(58) **Field of Classification Search** D9/447,
D9/435, 434, 448, 624, 614, 451, 734, 682,
D9/686, 689; D7/683, 671, 396.2, 392.1;
221/63

See application file for complete search history.

(56) **References Cited**

U.S. PATENT DOCUMENTS

D110,902 S * 8/1938 Loesch D7/558
D222,338 S * 10/1971 Desprez D9/529
D241,624 S * 9/1976 Trott D9/447

D348,509 S * 7/1994 Bollenbacher D6/550
D353,773 S * 12/1994 Desgrippes D9/529
D390,117 S * 2/1998 Kan et al. D9/529
D468,404 S * 1/2003 Hunter D23/254
D509,994 S * 9/2005 Hadland D7/587
D526,898 S * 8/2006 Isono et al. D9/435
D531,500 S * 11/2006 Perry et al. D9/434

* cited by examiner

Primary Examiner—Gary D. Watson

Assistant Examiner—Susan Bennett Hattan

(74) *Attorney, Agent, or Firm*—Laura R. Grunzinger

(57) **CLAIM**

The ornamental design for a bottle transition piece, as shown and described.

DESCRIPTION

FIG. 1 is a perspective view of a design for a bottle transition piece, showing the upper rim portion of the transition piece being of a contrasting color (for example, a darker color) than the remainder of the transition piece;

FIG. 2 is a front view thereof;

FIG. 3 is a back view thereof;

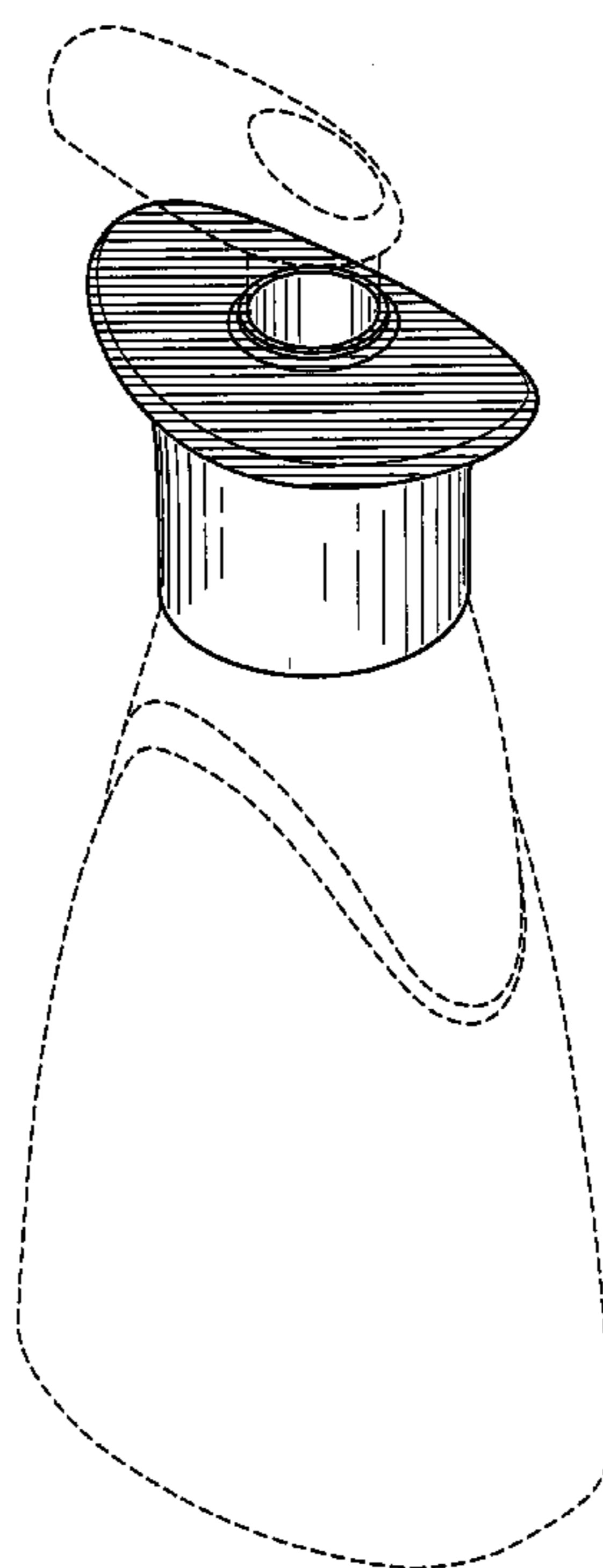
FIG. 4 is a left side view thereof;

FIG. 5 is a right side view thereof; and,

FIG. 6 is a top plan view thereof.

The broken lines shown in the drawings are for illustrative purposes only and form no part of the claimed design.

1 Claim, 6 Drawing Sheets



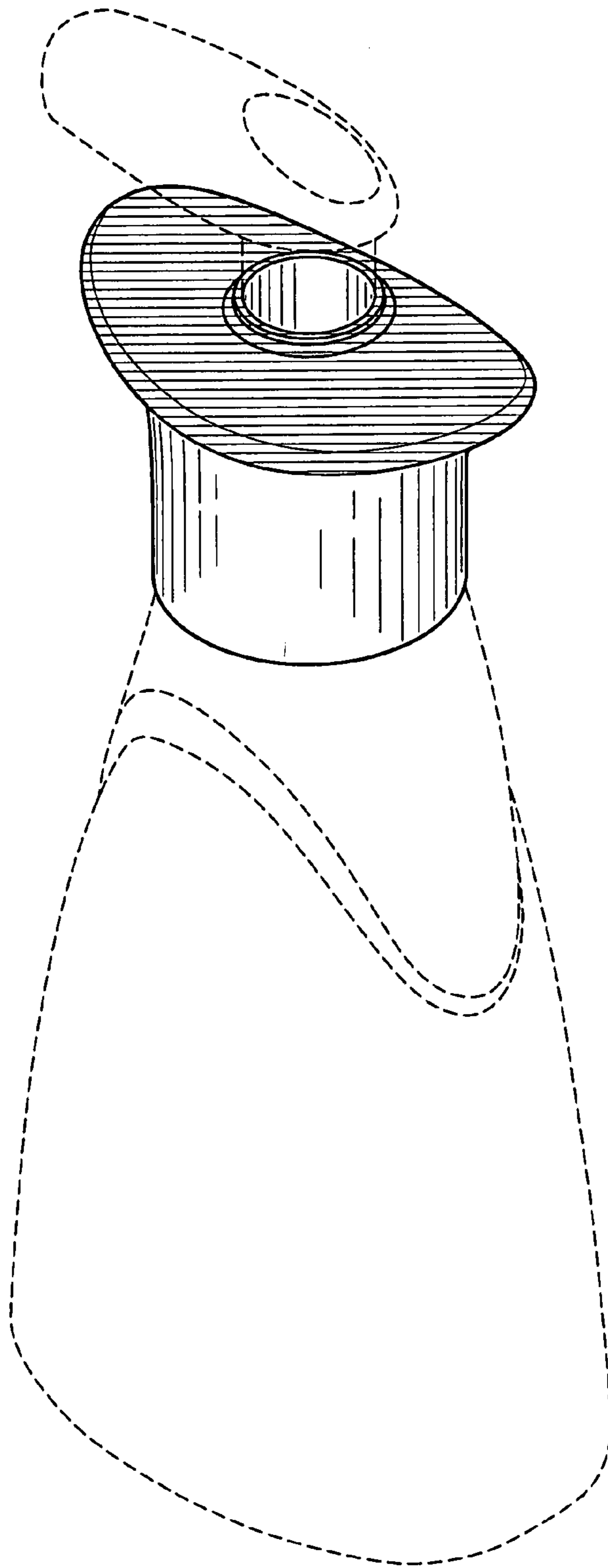


FIG. 1

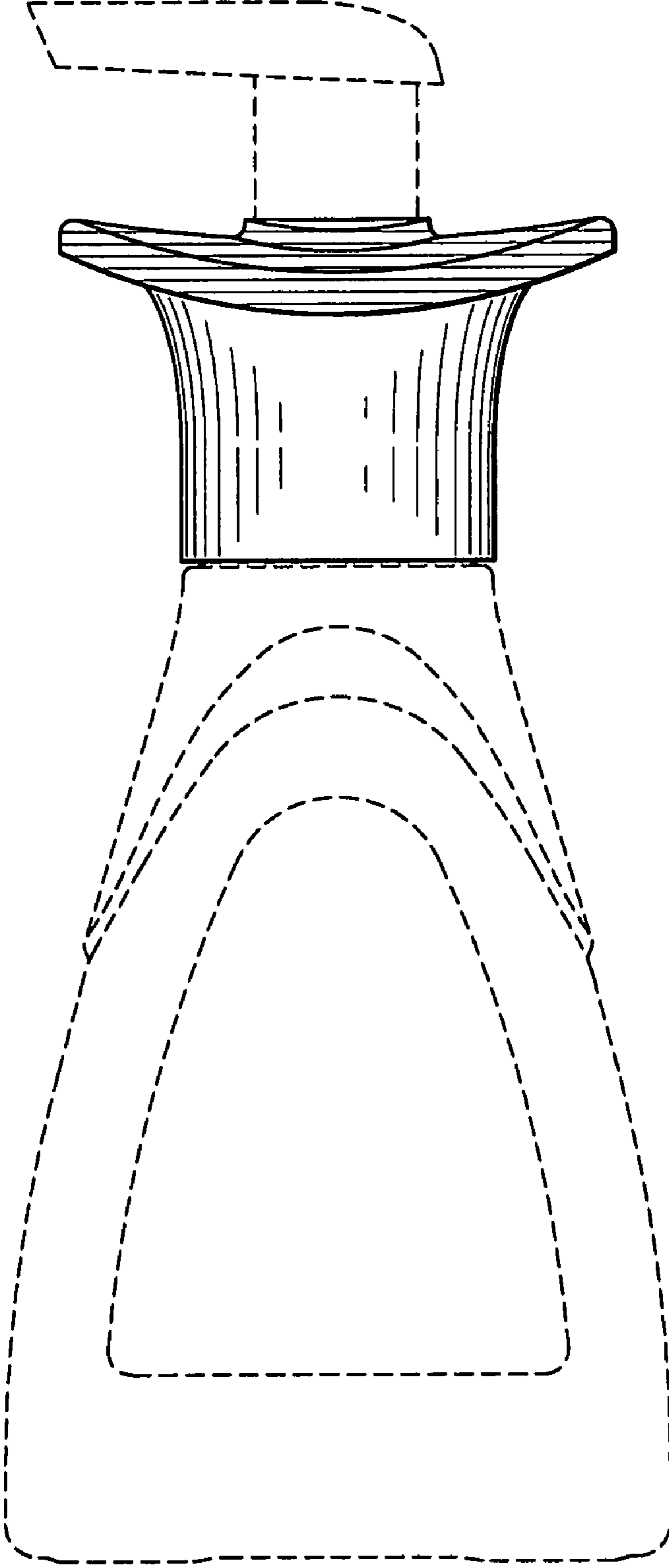


FIG. 2

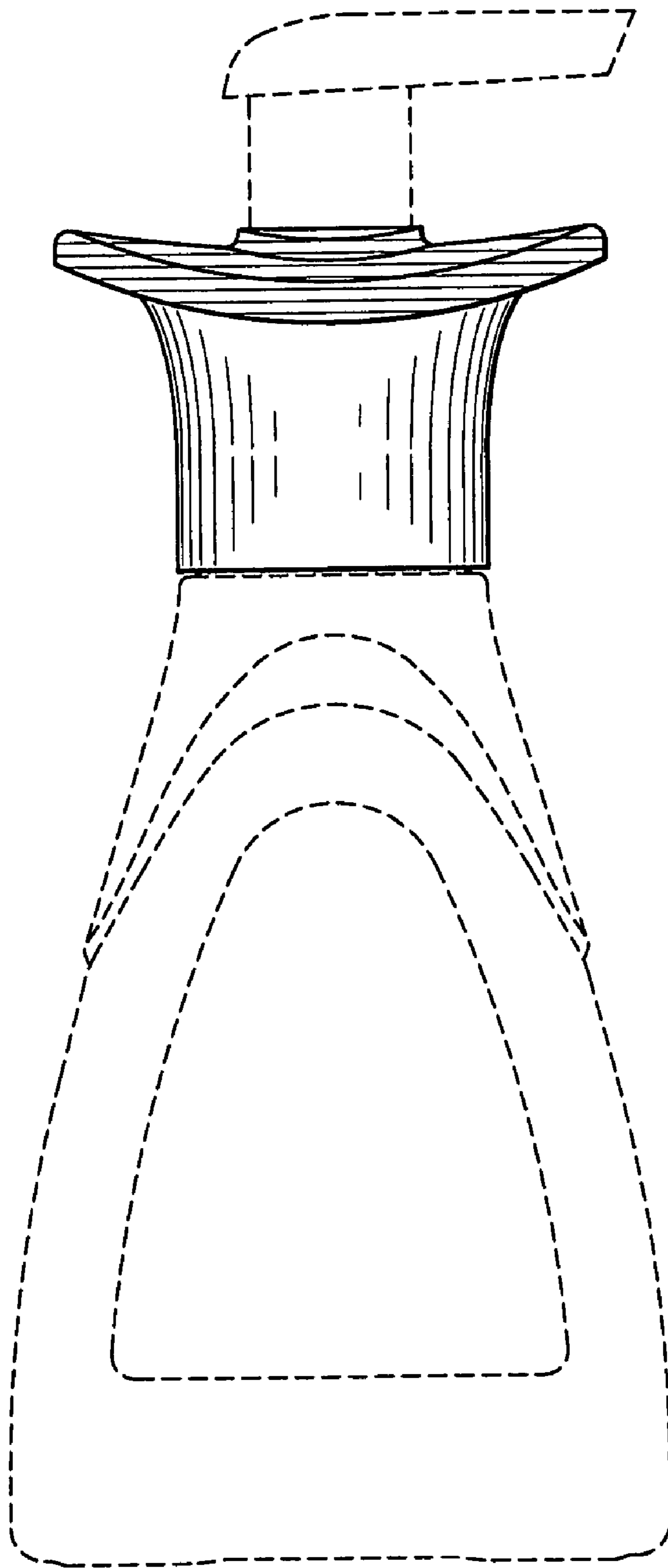


FIG. 3

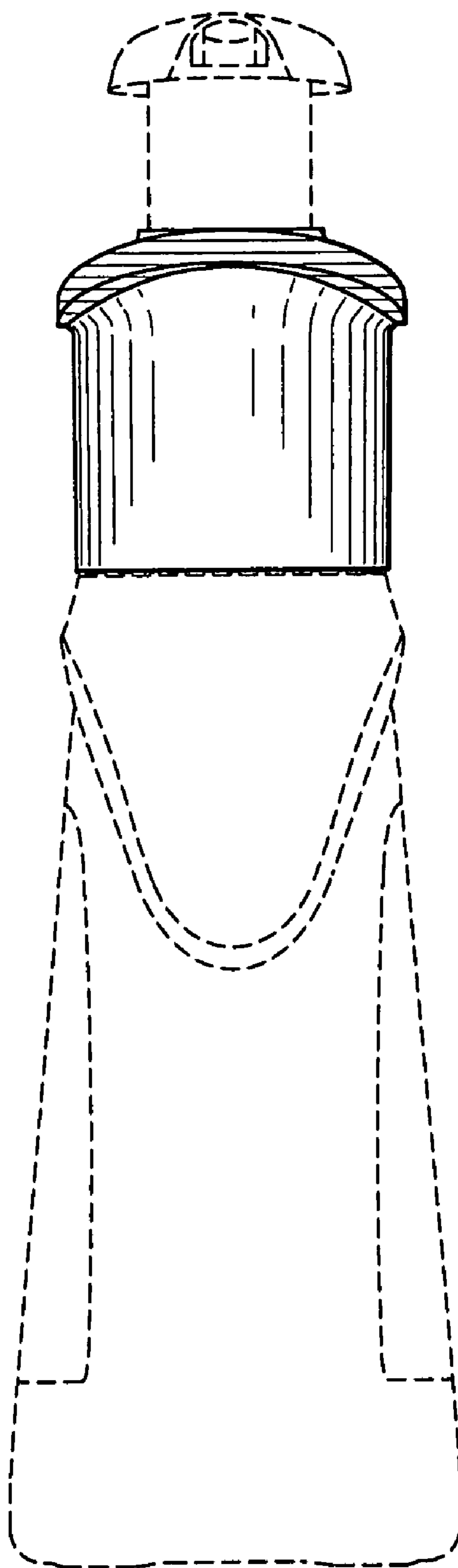


FIG. 4

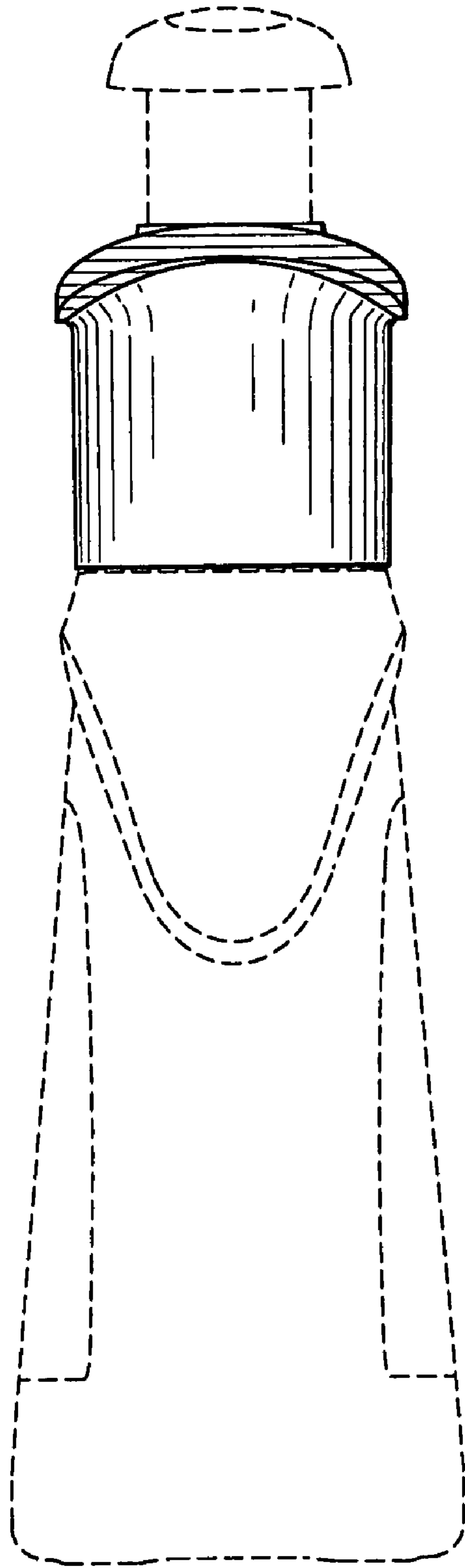


FIG. 5

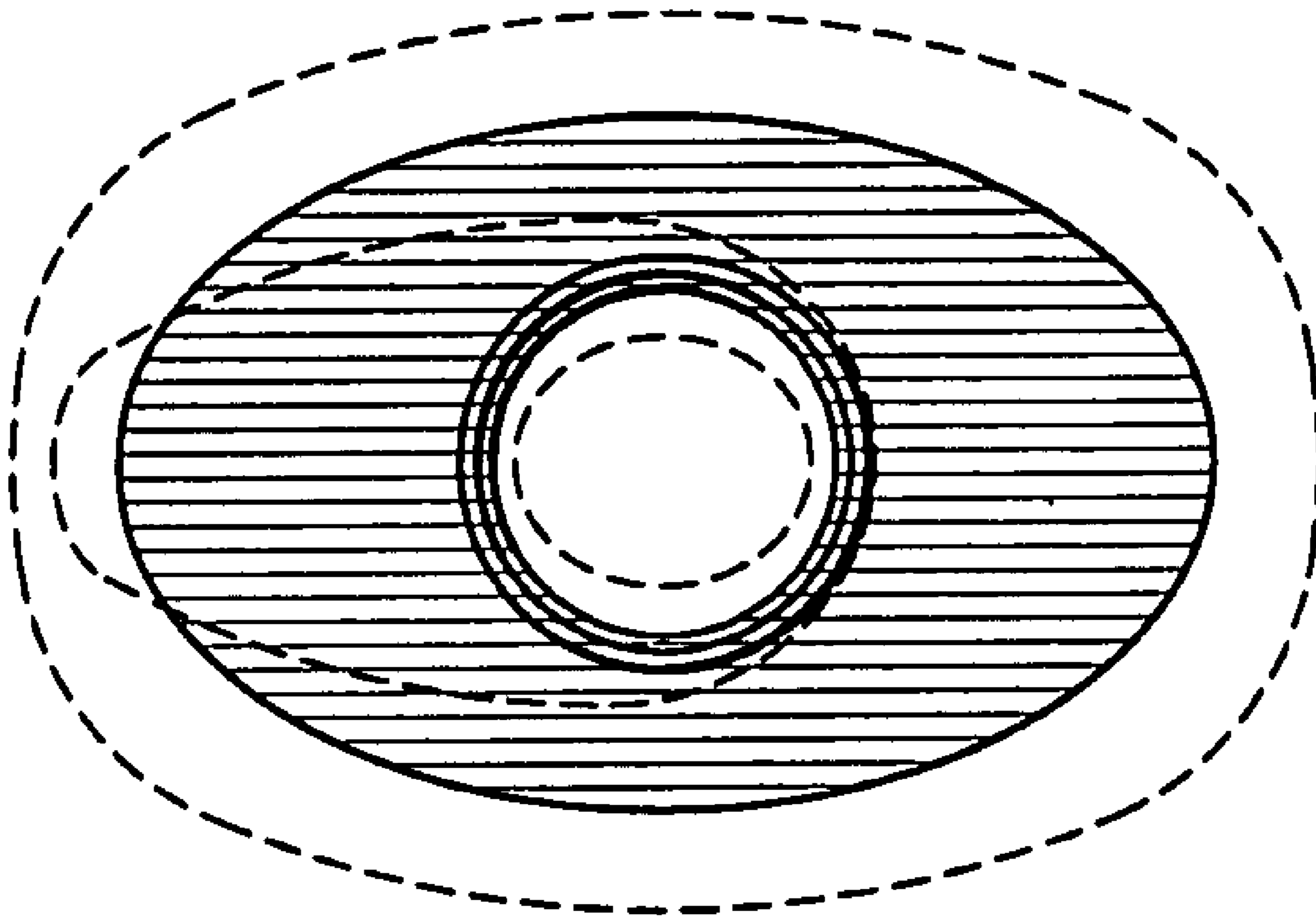


FIG. 6