



US0D1019260S

(12) **United States Design Patent**
Byeon

(10) **Patent No.:** **US D1,019,260 S**

(45) **Date of Patent:** **** Mar. 26, 2024**

(54) **STORAGE CONTAINER SEAL**

(71) Applicant: **Dart Industries Inc.**, Orlando, FL (US)

(72) Inventor: **Dongjin Byeon**, Aalst (BE)

(73) Assignee: **Dart Industries Inc.**, Orlando, FL (US)

(**) Term: **15 Years**

(21) Appl. No.: **29/814,609**

(22) Filed: **Nov. 8, 2021**

(51) **LOC (14) Cl.** **07-02**

(52) **U.S. Cl.**
USPC **D7/392.1**

(58) **Field of Classification Search**

USPC D9/434, 435, 445, 438, 439, 452, 453;
D7/387, 391, 392.1, 396.1, 396.2, 396.6;
D3/318
CPC B25B 13/5008; B25B 15/008; B65D 1/02;
B65D 1/0233; B65D 1/08; B65D 1/10;
B65D 41/14; B65D 41/16; B65D
41/3428; B65D 55/16; B65D 2525/285;
B65D 2525/286; B65D 2525/287; B65D
2525/288; B65D 53/02; B65D 75/5883;
B65D 81/34; B65D 43/021; B65D
43/0249

See application file for complete search history.

(56) **References Cited**

U.S. PATENT DOCUMENTS

D287,573 S * 1/1987 Tyler D7/391
D363,638 S * 10/1995 Feer D7/391
D371,963 S * 7/1996 Ahern, Jr. D7/602

(Continued)

OTHER PUBLICATIONS

Plastic Square Snap Lock Container: Site Visited (Jun. 16, 2023). Available from URL: <https://www.berlinpackaging.com/plastic-square-snap-lock-containers-w-tamper-evident-lid/>.*

(Continued)

Primary Examiner — Catherine S Posthauer

(74) *Attorney, Agent, or Firm* — Taylor J. Ross

(57) **CLAIM**

The ornamental design for a storage container seal, as shown and described.

DESCRIPTION

FIG. 1 is a top, front and left side isometric view of a first embodiment of a storage container seal showing my new design;

FIG. 2 is a bottom, rear and left side isometric view thereof;

FIG. 3 is a top plan view thereof;

FIG. 4 is a bottom plan view thereof;

FIG. 5 is a front elevation view thereof;

FIG. 6 is a rear elevation view thereof;

FIG. 7 is a left side elevation view, the right side being a mirror image thereof;

FIG. 8 is a cross-sectional view taken along line 8-8 of FIG. 3;

FIG. 9 is a cross-sectional view taken along line 9-9 of FIG. 3;

FIG. 10 is a top, front and left side isometric view of a second embodiment of a storage container seal showing my new design;

FIG. 11 is a bottom, rear and left side isometric view thereof;

FIG. 12 is a top plan view thereof;

FIG. 13 is a bottom plan view thereof;

FIG. 14 is a front elevation view thereof;

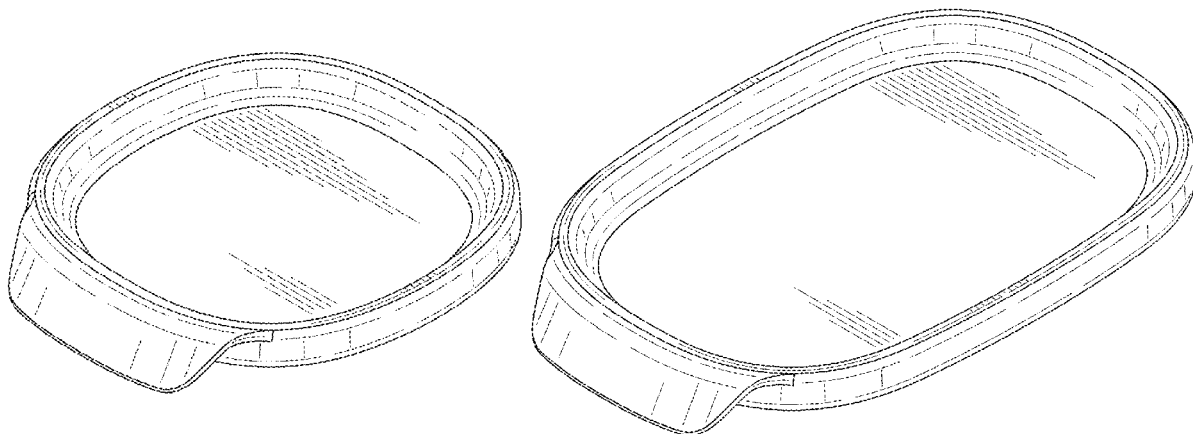
FIG. 15 is a rear elevation view thereof;

FIG. 16 is a left side elevation view, the right side being a mirror image thereof;

FIG. 17 is a cross-sectional view taken along line 17-17 of FIG. 12; and,

FIG. 18 is a cross-sectional view taken along line 18-18 of FIG. 12.

1 Claim, 6 Drawing Sheets



(56)

References Cited

U.S. PATENT DOCUMENTS

D381,864 S * 8/1997 Feer D7/391
 D398,812 S * 9/1998 Laib D7/391
 D416,170 S * 11/1999 Stucke, Jr D7/392
 D420,252 S * 2/2000 Loew D7/392.1
 D420,548 S * 2/2000 Loew D7/392.1
 D422,176 S * 4/2000 Laib D7/391
 D465,382 S * 11/2002 Wolf D7/392.1
 D483,989 S * 12/2003 Lillelund D7/392.1
 D502,049 S * 2/2005 Munson D7/392.1
 D521,380 S * 5/2006 Jackson D9/425
 D547,115 S * 7/2007 Bouveret D7/392.1
 D596,454 S * 7/2009 de Groot D7/392.1
 D676,276 S * 2/2013 Muspratt-Williams D7/392.1
 D686,450 S * 7/2013 Yessin D7/392.1
 D694,063 S * 11/2013 Andres D7/392.1
 D708,897 S * 7/2014 Carlson D7/391
 D708,898 S * 7/2014 Carlson D7/391
 D710,146 S * 8/2014 Carlson D7/391
 D716,603 S * 11/2014 Yessin D7/391
 D730,112 S * 5/2015 Yessin D7/392.1
 D732,886 S * 6/2015 Heiberg D7/392.1
 D734,980 S * 7/2015 Lipinski D7/391
 D735,524 S * 8/2015 Holding D7/392.1
 D736,346 S * 8/2015 Chen D23/209
 D738,161 S * 9/2015 Yessin D7/391
 D740,601 S * 10/2015 Carlson D7/649
 D750,424 S * 3/2016 Shirley D7/391
 D750,425 S * 3/2016 Shirley D7/391
 D751,335 S * 3/2016 Shirley D7/391
 D751,336 S * 3/2016 Cetti D7/391
 D759,427 S * 6/2016 Wiggins D7/391
 D777,030 S * 1/2017 Irimia D9/435
 D805,835 S * 12/2017 Yessin D7/391

D812,965 S * 3/2018 Ogilvie D7/391
 D857,444 S * 8/2019 Delgado Carmona D7/392.1
 D927,247 S * 8/2021 Hartley D7/392.1
 2005/0205572 A1 * 9/2005 Leibowitz B65D 51/24
 220/574
 2008/0035641 A1 * 2/2008 Foldesi B65D 43/0249
 220/276
 2011/0114638 A1 * 5/2011 Kettner B65D 43/021
 220/260

OTHER PUBLICATIONS

Plastic Container Lid Dome: Announced (Nov. 19, 2022; online). Site Visited (Jun. 16, 2023). Available from URL: https://www.wesalute.com.au/3_dash_GLIDRDOME/PLASTIC-CONTAINER-LID-DOME-RECTANGLE-GENFAC/pd.php.*

Anchor Hocking True Seal 1-Cup Storage Container: Announced (Sep. 13, 2021; online). Site Visited (Sep. 13, 2023). Available from URL: <https://www.athome.com/anchor-hocking-true-seal-1-cup-storage-container/124301331.html>.*

Anchor Hocking True Seal Glass Food Storage Containers with Lids: Announced (Feb. 11, 2016; online). Site Visited (September 13th, 2023). Available from URL: <https://www.amazon.com/Anchor-Hocking-TrueSeal-Containers-10-Piece/dp/B01BNFLVGW?th=1>.*

Anchor Hocking TruSeal Glass Food Storage Container with Lid: Announced (Dec. 22, 2015; online). Site Visited (Sep. 13, 2023). Available from URL: https://www.amazon.com/Anchor-Hocking-TrueSeal-Storage-Container/dp/B019PVVN1Y/ref=asc_df_B019PVVN1Y/?tag=hyprod-20&linkCode=df0&hvadid=167127663572&hvpos=&hvnetw=g&hvrand=3882448996447110863&hvpone=&hvptwo=&hvqmt=&hvdev=c&hvdvcmdl=&hvlocint=&hvlocphy=9059726&hvtargid=pla-307673543497&th=1.*

* cited by examiner

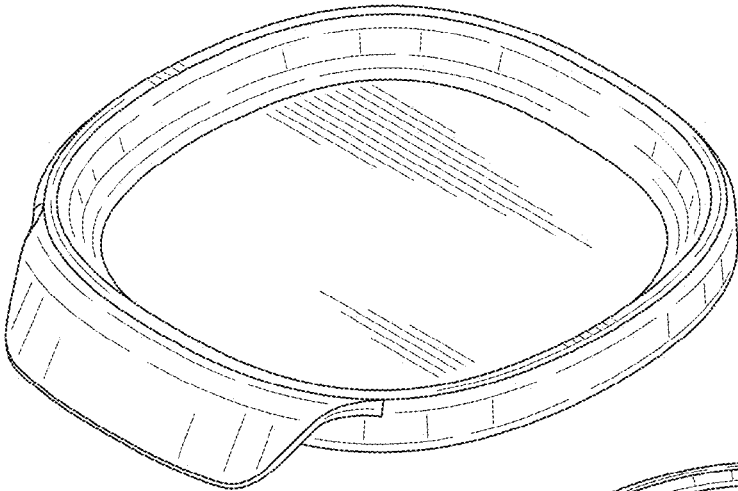


FIG. 1

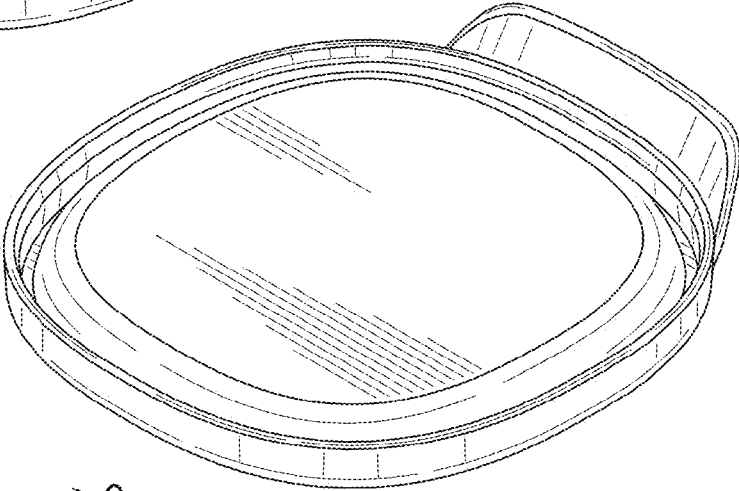


FIG. 2

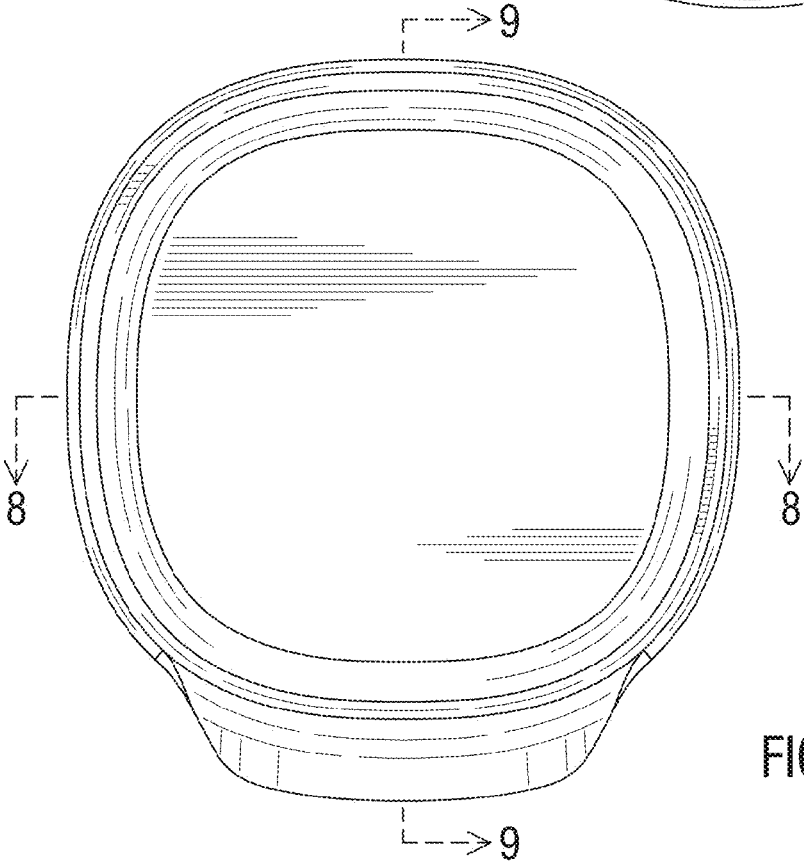


FIG. 3

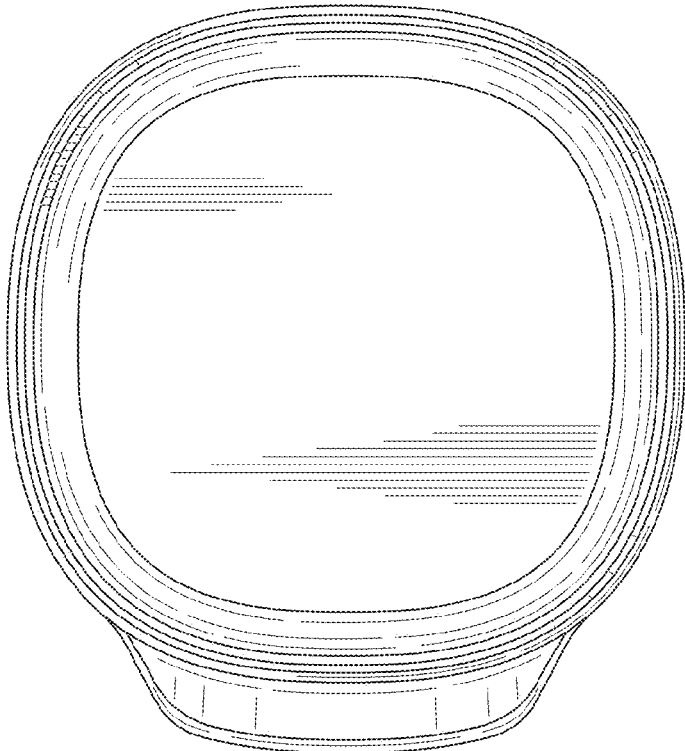


FIG. 4

FIG. 5

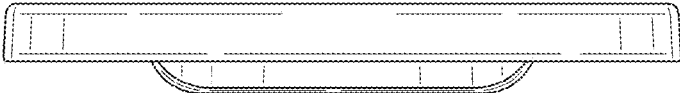


FIG. 6

FIG. 7

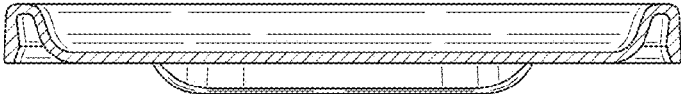
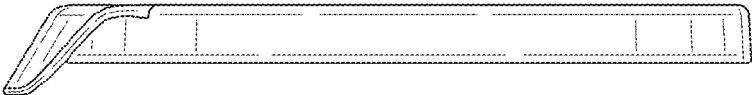
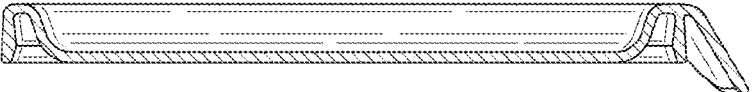


FIG. 8

FIG. 9



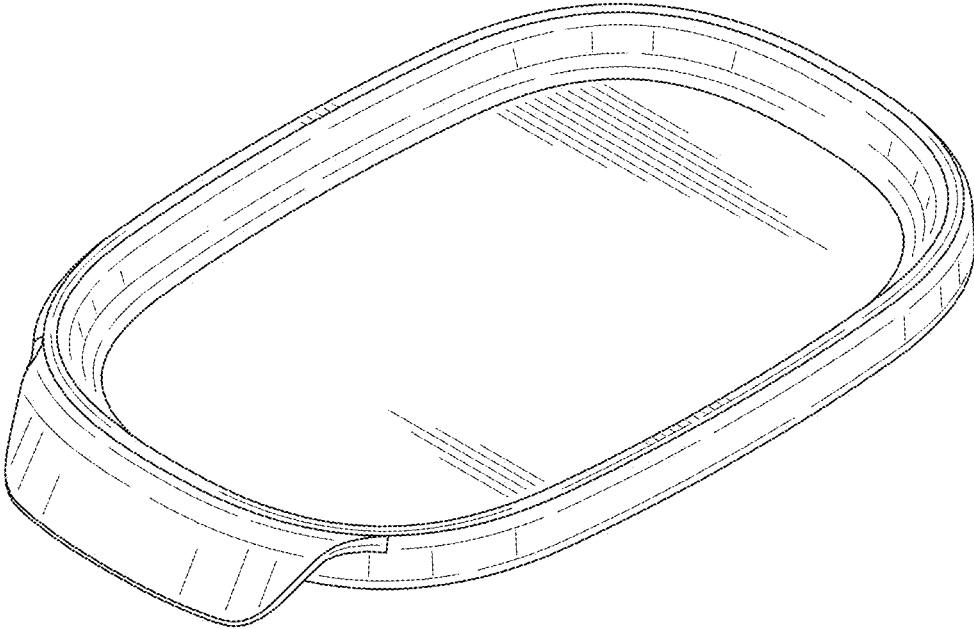


FIG. 10

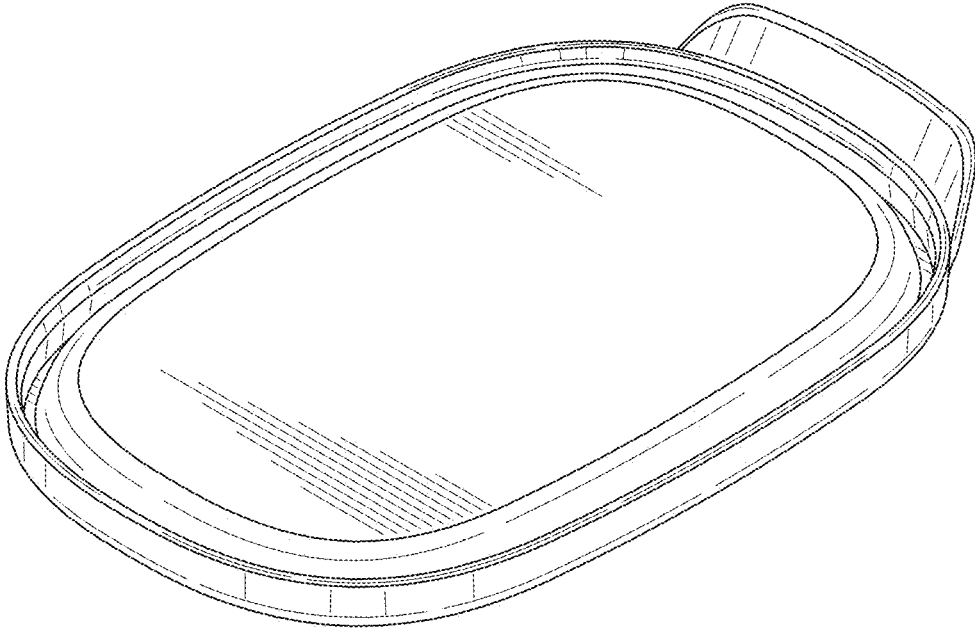


FIG. 11

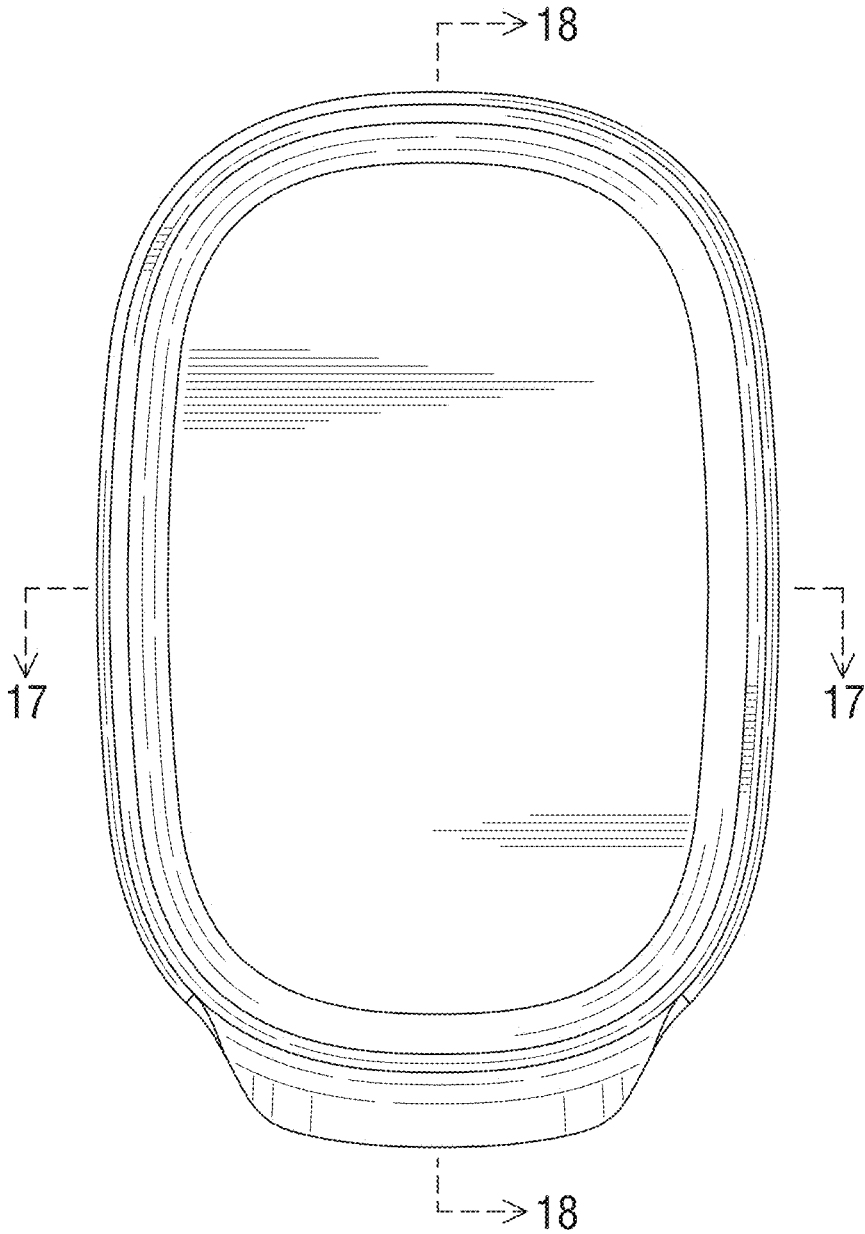


FIG. 12

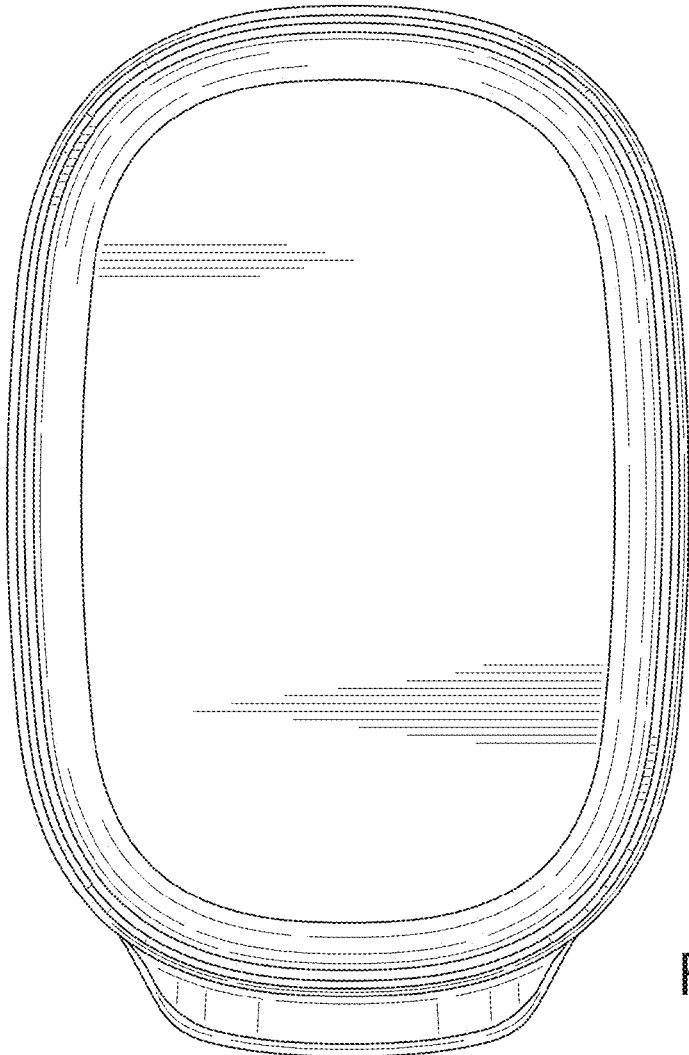


FIG. 13

FIG. 14



FIG. 15

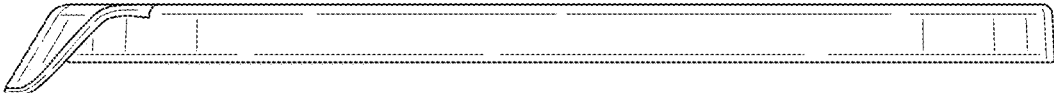


FIG. 16

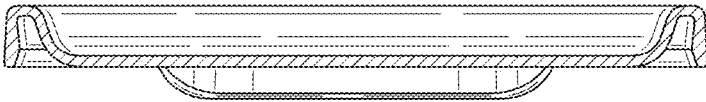


FIG. 17

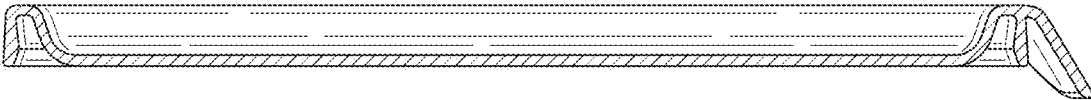


FIG. 18