

US00D548960S

(12) **United States Design Patent**  
**Tages et al.**

(10) **Patent No.:** **US D548,960 S**

(45) **Date of Patent:** **\*\* Aug. 21, 2007**

(54) **BELT OR STRAP CLIP FOR CELL PHONE  
OR OTHER PERSONAL ELECTRONIC  
DEVICE**

2004/0155079 A1\* 8/2004 Shetler et al. .... 224/197

\* cited by examiner

(75) Inventors: **Fernando Tages**, Coral Springs, FL  
(US); **Harold S. Goradesky**, Fort  
Lauderdale, FL (US)

*Primary Examiner*—Catherine R. Oliver  
(74) *Attorney, Agent, or Firm*—Robert C. Kain, Jr.; Fleit  
Kain

(73) Assignee: **A.G. Findings & Mfg. Co.**, Sunrise,  
FL (US)

(57) **CLAIM**

We claim the ornamental design for the belt or strap clip for  
cell phone or other personal electronic device, as shown and  
described.

(\*\*) Term: **14 Years**

(21) Appl. No.: **29/251,298**

(22) Filed: **Jan. 4, 2006**

**DESCRIPTION**

(51) **LOC (8) Cl.** ..... **03-01**

FIG. 1 is a bottom-right perspective view of belt or strap clip  
for cell phone or other personal electronic device.

(52) **U.S. Cl.** ..... **D3/218**

FIG. 2 is a top-right perspective view of the clip shown in  
FIG. 1.

(58) **Field of Classification Search** ..... D3/218,  
D3/215, 219, 226; 224/236, 240, 165, 197,  
224/242; 379/455, 446; 242/379, 379.2  
See application file for complete search history.

FIG. 3 is a front elevational view of the clip of FIG. 1.

FIG. 4 is a right side view of the clip of FIG. 1 (the left-side  
view being a mirror image of the right-side view).

(56) **References Cited**

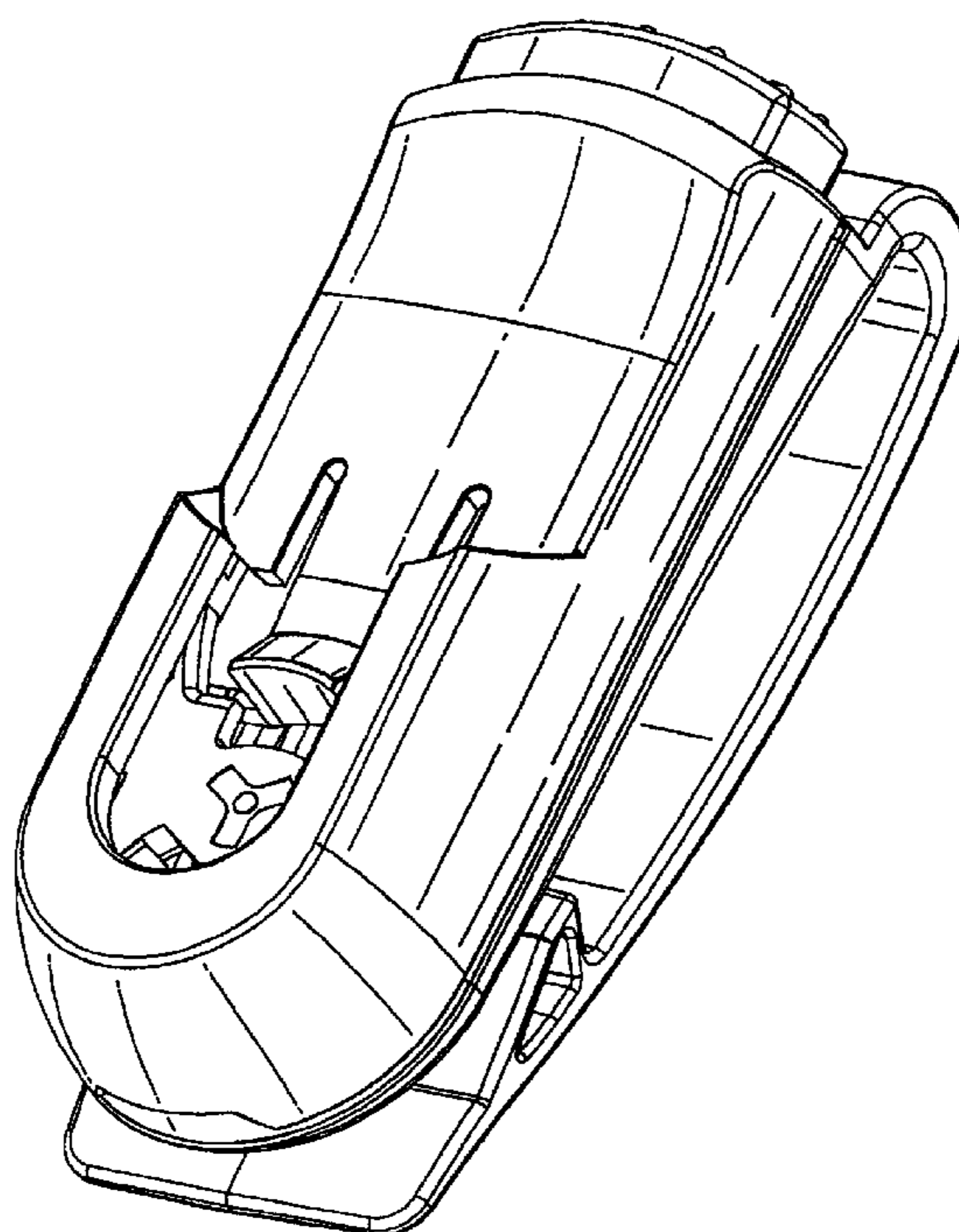
**U.S. PATENT DOCUMENTS**

6,176,401 B1 *	1/2001	Lim	.....	224/196
6,205,222 B1 *	3/2001	Carpenter	.....	379/446
D492,108 S *	6/2004	Goradesky	.....	D3/218
D496,529 S *	9/2004	Gotou	.....	D3/218
D497,714 S *	11/2004	To	.....	D3/218
D510,659 S *	10/2005	Goradesky	.....	D3/218
6,966,519 B2 *	11/2005	Salentine et al.	.....	224/666
D520,739 S *	5/2006	Tsai et al.	.....	D3/218

FIG. 5 is a right side view of a second embodiment of a belt  
or strap clip for cell phone or other personal electronic  
device with a mid-rise clip (with the front side view being  
identical to the clip shown in FIG. 3); and,

FIG. 6 is a right side view of a third embodiment of a belt  
or strap clip for cell phone or other personal electronic  
device with a high-rise clip (with the front side view being  
identical to the clip shown in FIG. 3).

**1 Claim, 6 Drawing Sheets**



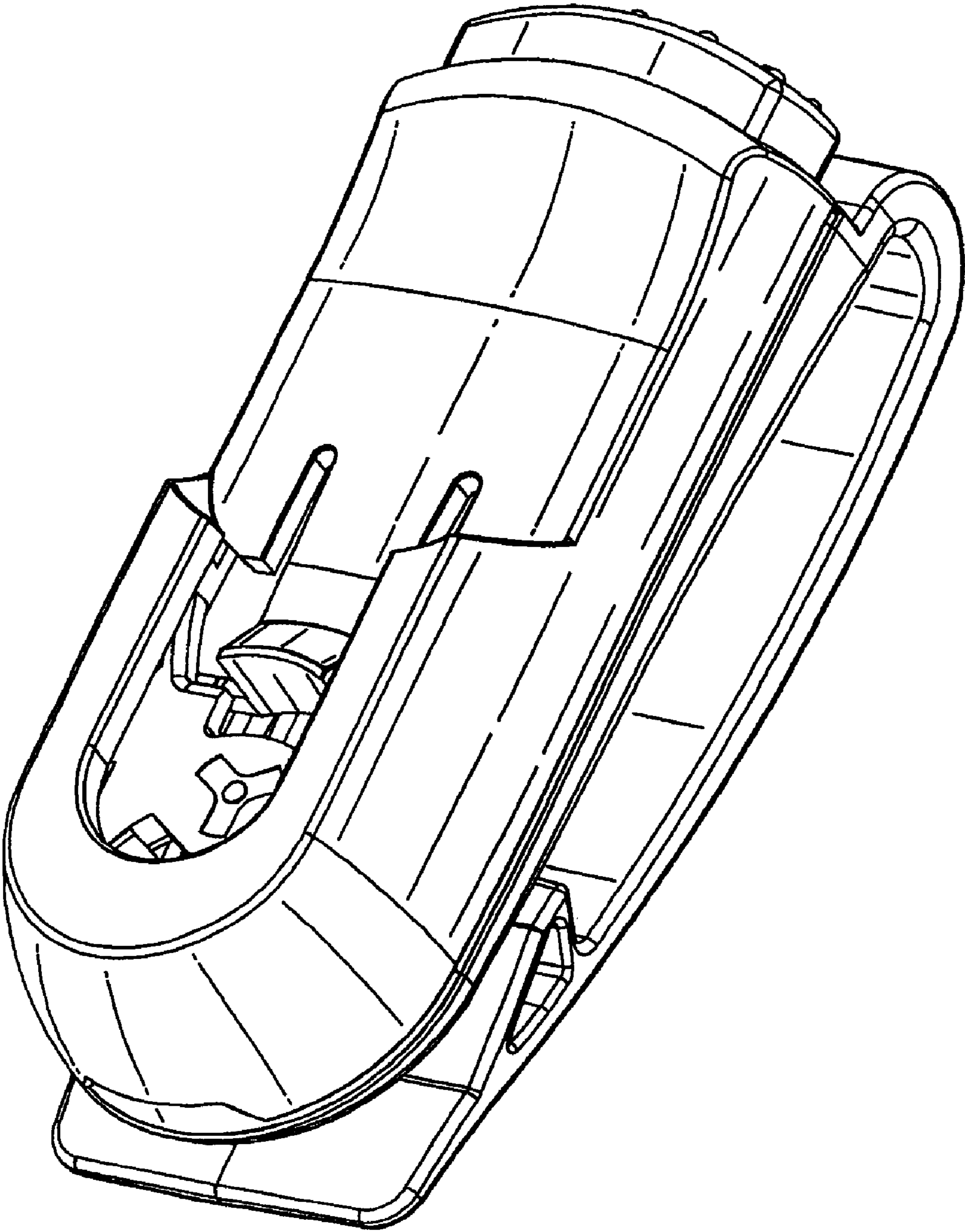


FIG. 1

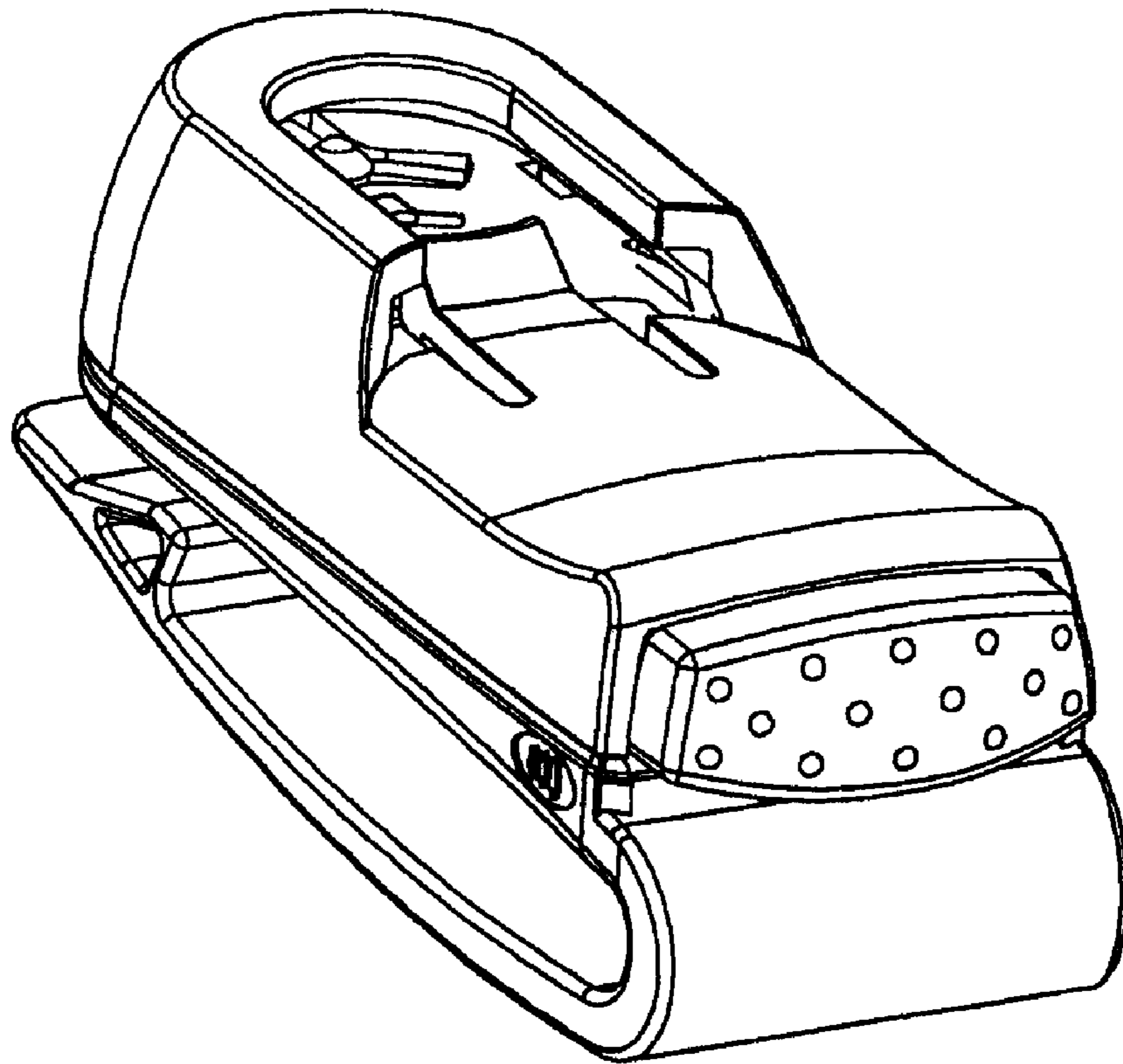


FIG. 2

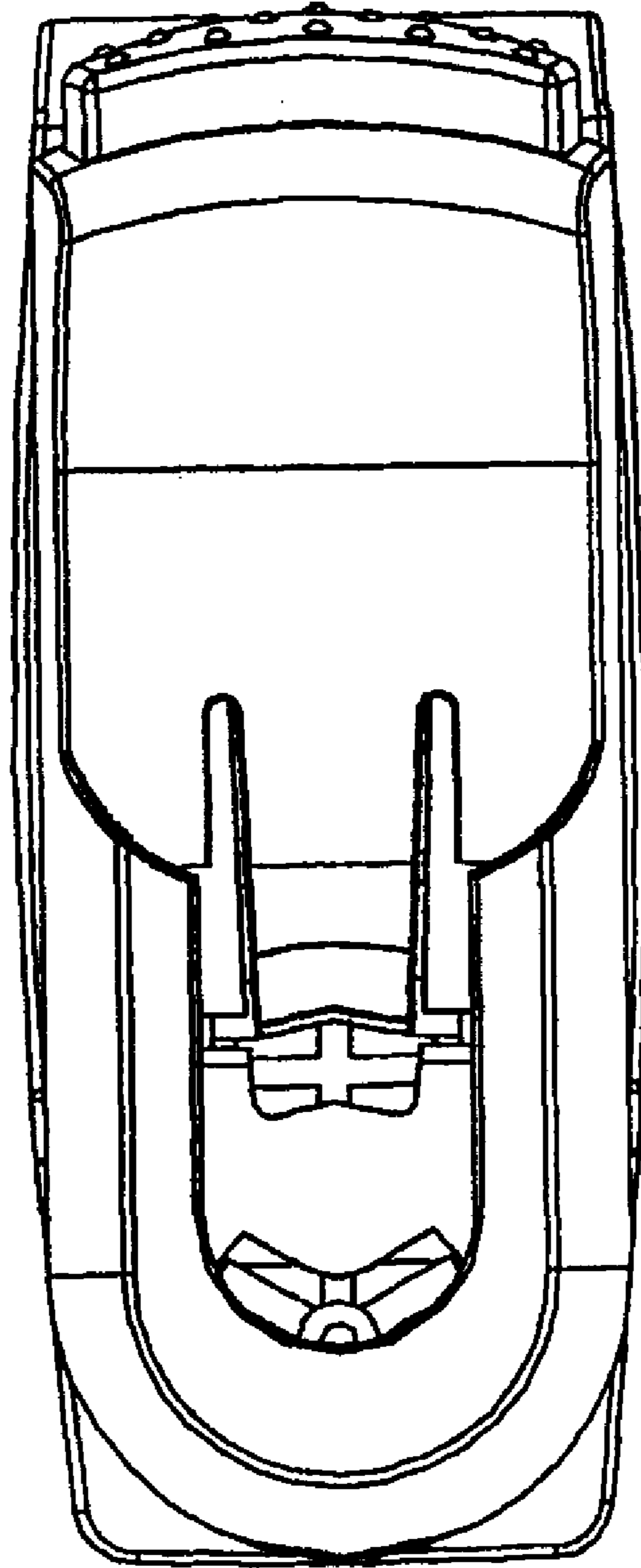


FIG. 3



*FIG. 4*

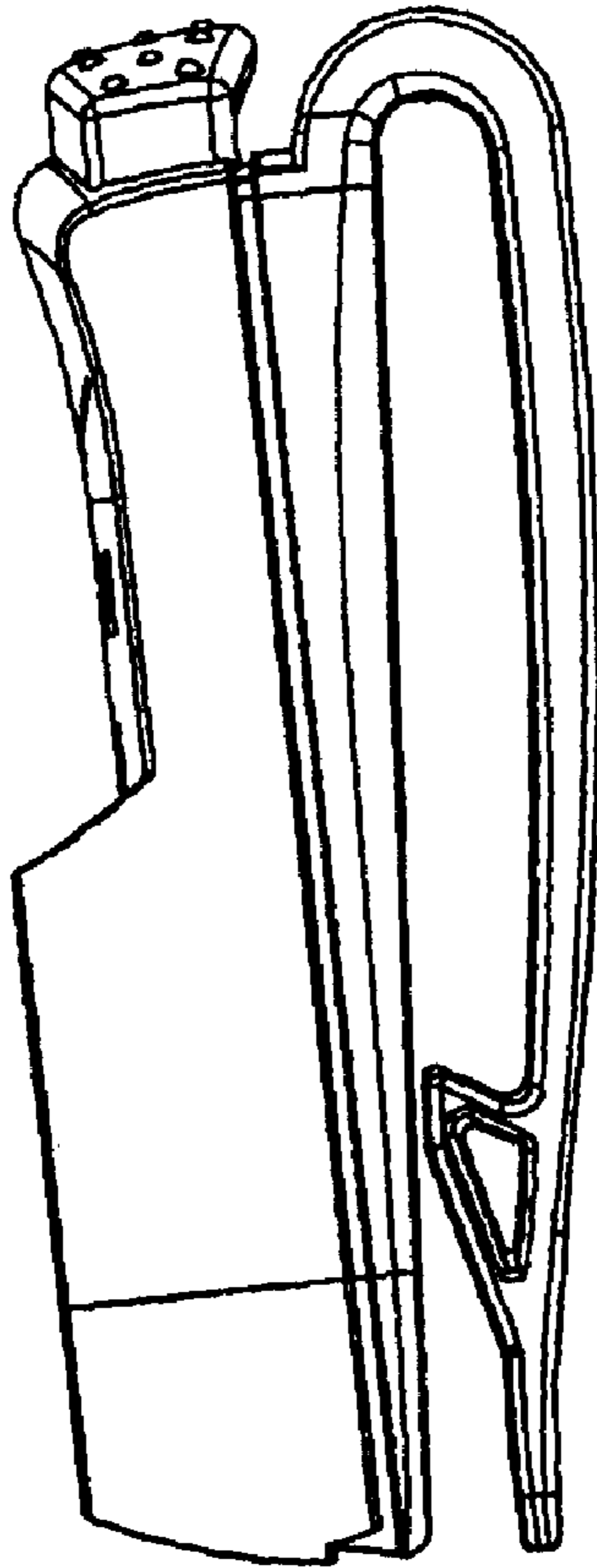


FIG. 5

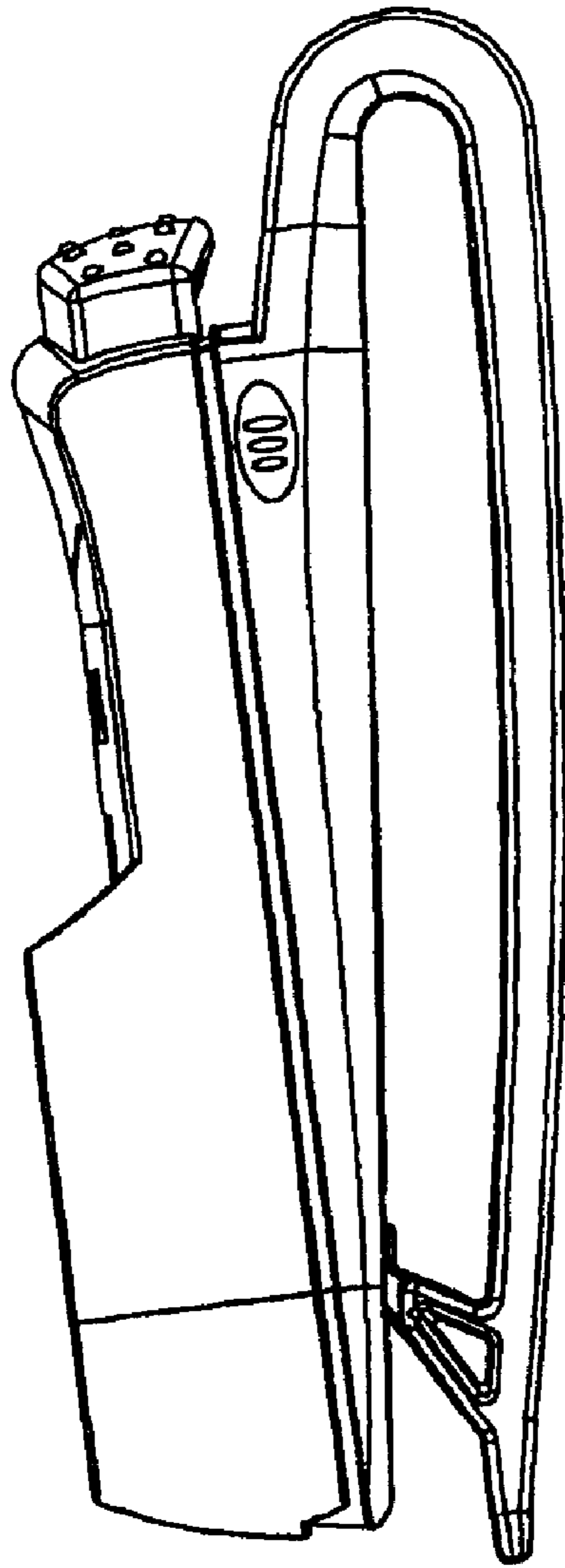


FIG. 6