



US0D1003242S

(12) **United States Design Patent**  
**Yuan**

(10) **Patent No.:** **US D1,003,242 S**

(45) **Date of Patent:** **\*\* Oct. 31, 2023**

(54) **POWER INVERTER**

(71) Applicant: **Huajian Yuan**, Jiangxi (CN)

(72) Inventor: **Huajian Yuan**, Jiangxi (CN)

(\*\*) Term: **15 Years**

(21) Appl. No.: **29/897,639**

(22) Filed: **Jul. 17, 2023**

(30) **Foreign Application Priority Data**

May 7, 2023 (CN) ..... 202330261847.5

(51) **LOC (14) Cl.** ..... **13-02**

(52) **U.S. Cl.** ..... **D13/110**

USPC ..... **D13/110**

(58) **Field of Classification Search**

USPC ... D13/110, 103, 107, 108, 118, 123, 139.8,  
D13/162, 168, 169, 174, 177, 184, 199;  
D14/257, 432, 433, 438

CPC ..... H05K 5/00; H05K 5/02; H05K 5/0247;  
H05K 7/00; H05K 7/20; H05K 7/20136;  
H05K 7/20154; H05K 7/209; H05K  
7/0042; H02M 7/00; H02M 7/003; H02M  
2001/009; H02J 7/0042; Y10T 307/367

See application file for complete search history.

(56) **References Cited**

**U.S. PATENT DOCUMENTS**

D484,853 S \* 1/2004 Alviar ..... D13/110  
D687,378 S 8/2013 Iacovelli et al.

D711,820 S \* 8/2014 Zeng ..... D13/103  
D768,068 S \* 10/2016 Chen ..... D13/103  
D805,473 S 12/2017 Montgomery et al.  
D806,026 S \* 12/2017 Ceravalo ..... D13/110  
D843,939 S \* 3/2019 Xiong ..... D13/110  
D870,043 S \* 12/2019 Xu ..... D13/110  
D872,017 S \* 1/2020 Huang ..... D13/110  
D905,630 S \* 12/2020 Chuang ..... D13/108  
D936,591 S \* 11/2021 Zhang ..... D13/110  
D941,764 S \* 1/2022 Liao ..... D13/110

\* cited by examiner

*Primary Examiner* — Derrick E Holland

(74) *Attorney, Agent, or Firm* — Kunzler Bean & Adamson, PC; Alandra Adams

(57) **CLAIM**

The ornamental design for a power inverter, as shown and described.

**DESCRIPTION**

FIG. 1 is a front, left and top perspective view of a power inverter, showing my design.

FIG. 2 is a rear, right and bottom perspective view thereof.

FIG. 3 is a front elevation view thereof.

FIG. 4 is a rear elevation view thereof.

FIG. 5 is a left side elevation view thereof.

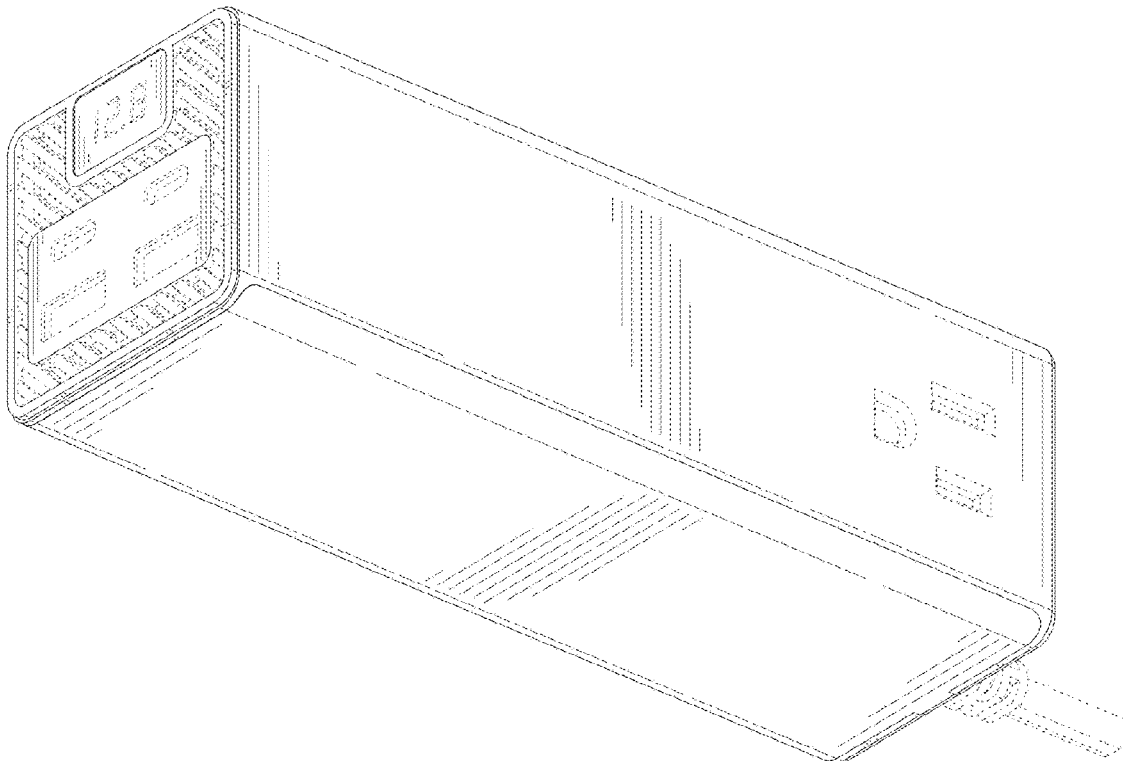
FIG. 6 is a right side elevation view thereof.

FIG. 7 is a top plan view thereof; and,

FIG. 8 is a bottom plan view thereof.

The broken lines depict portions of the power inverter that form no part of the claimed design.

**1 Claim, 8 Drawing Sheets**



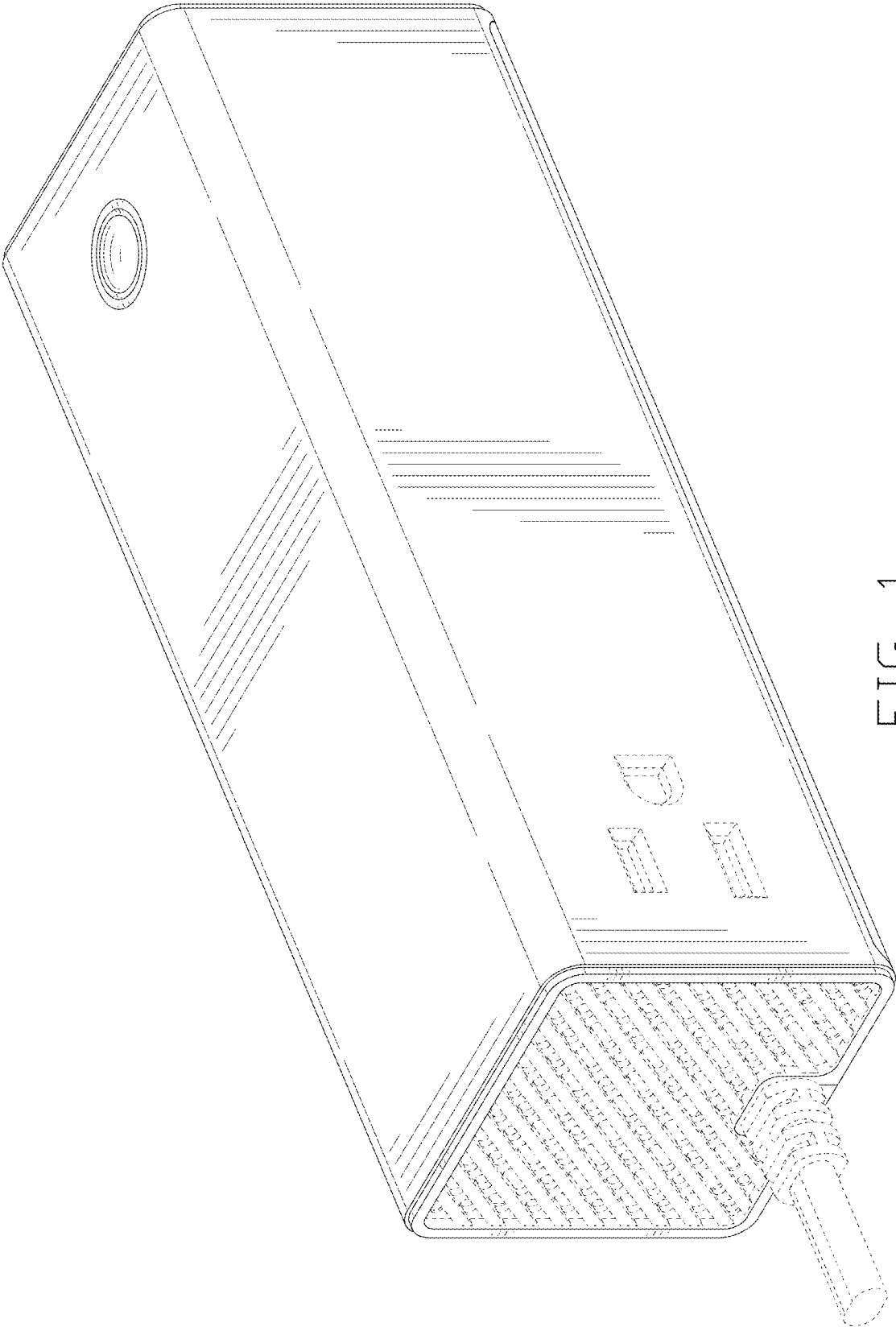


FIG. 1

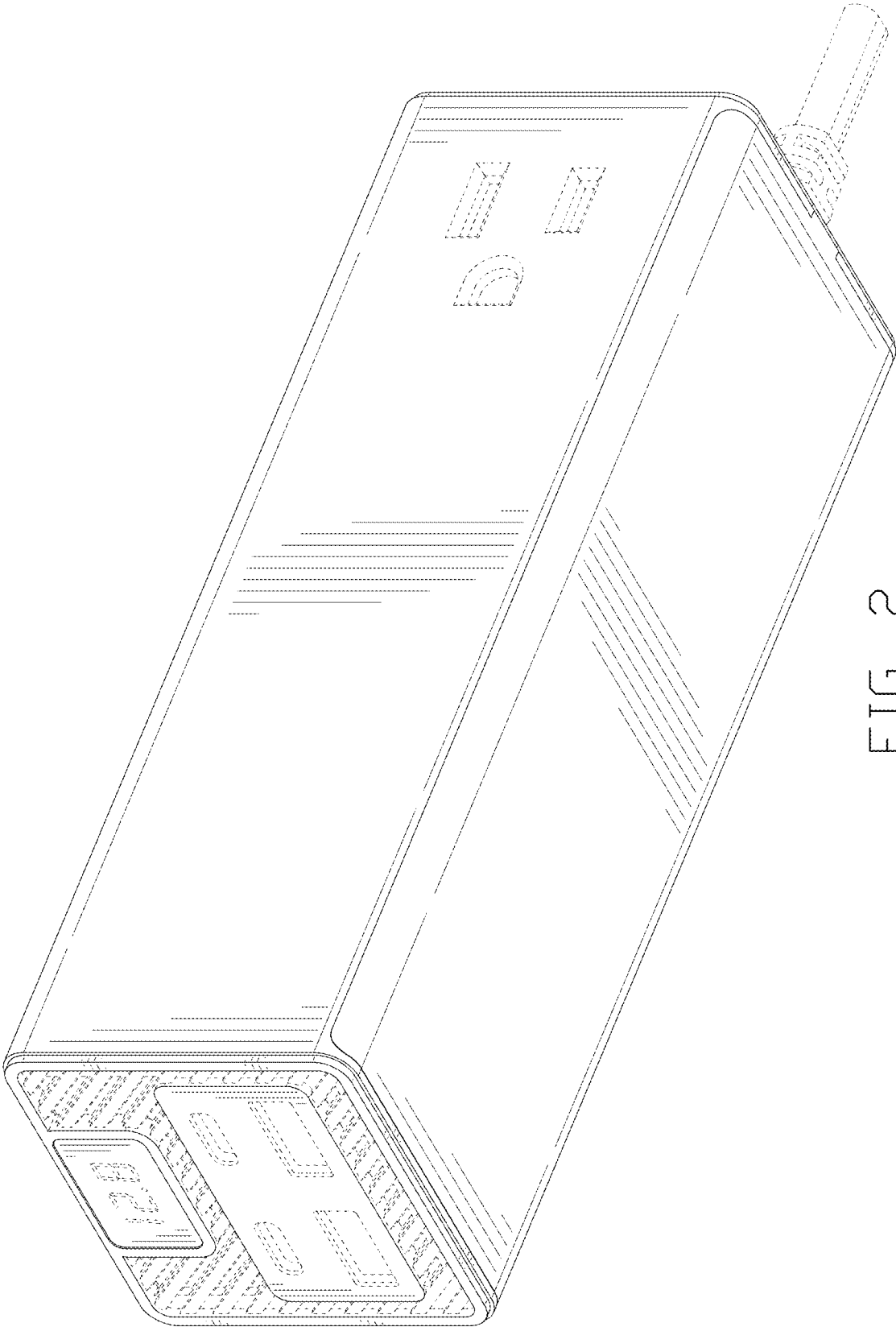


FIG. 2

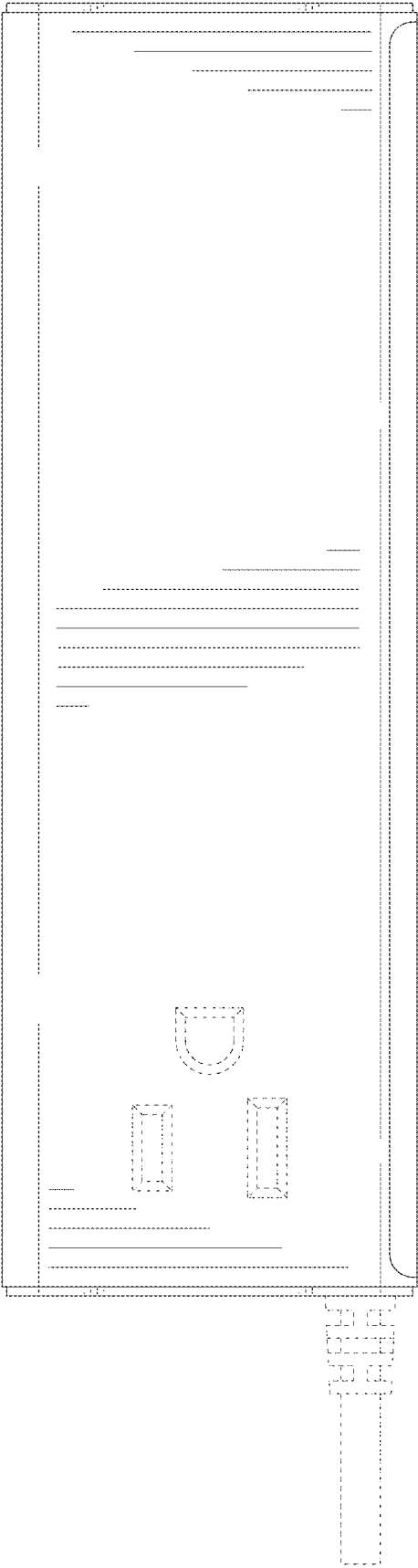


FIG. 3

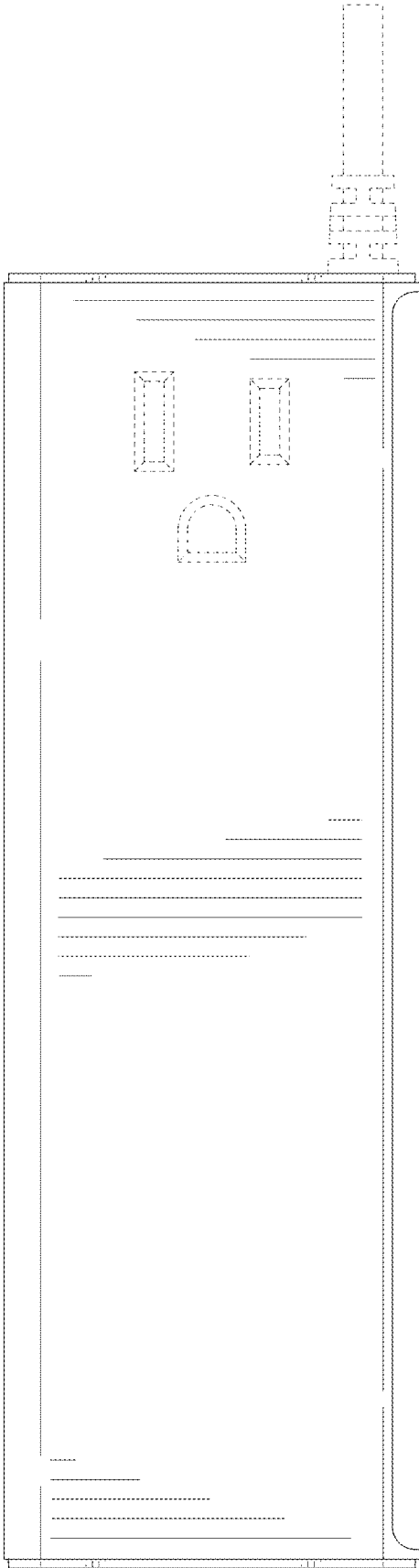


FIG. 4

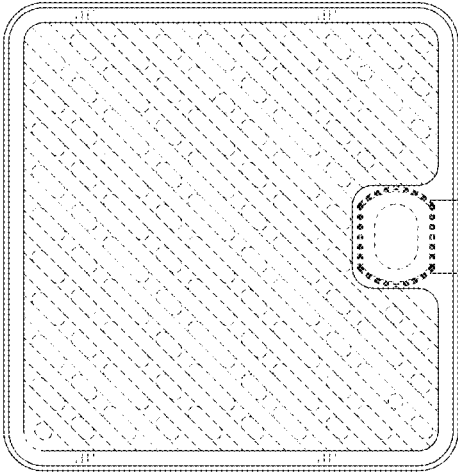


FIG. 5

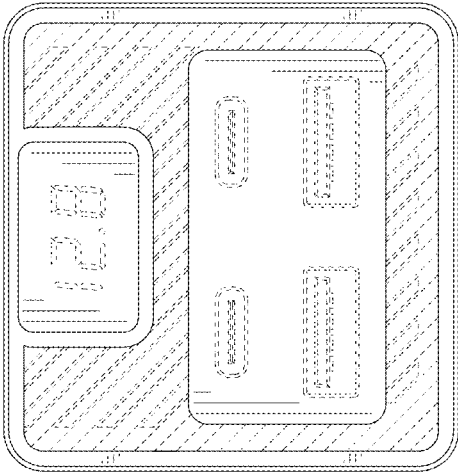


FIG. 6

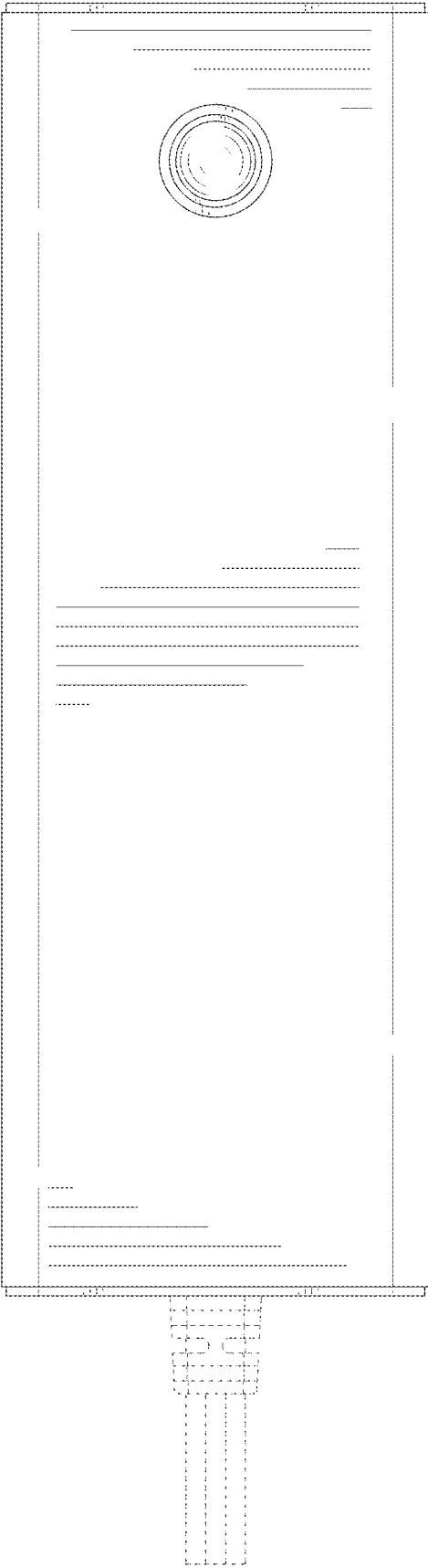


FIG. 7



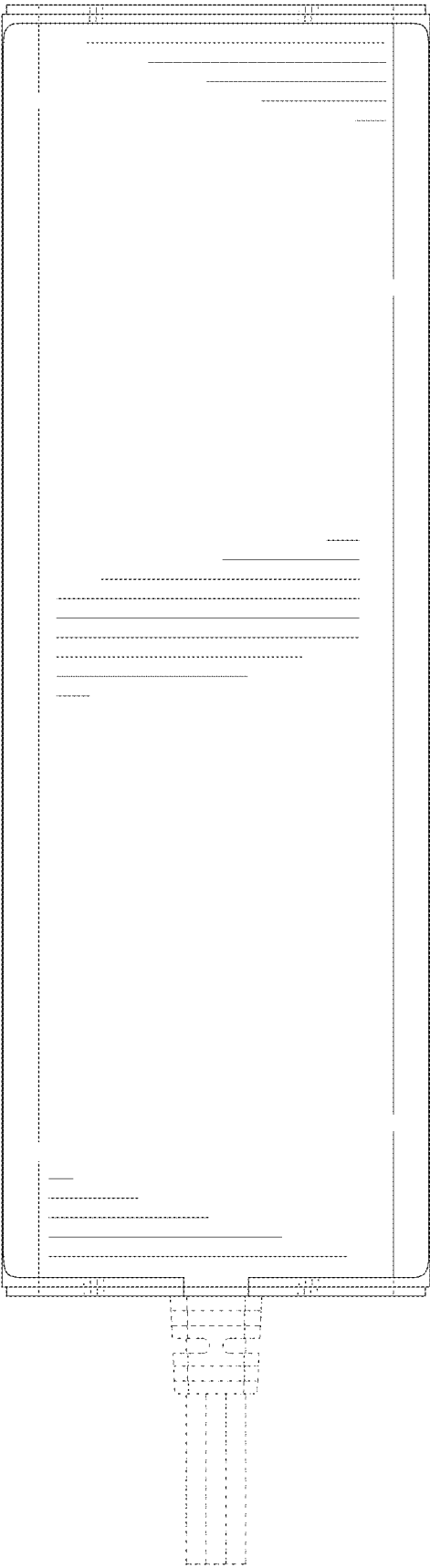


FIG. 8