



US00D483821S

(12) **United States Design Patent**  
**Yang**

(10) **Patent No.:** **US D483,821 S**

(45) **Date of Patent:** **\*\* Dec. 16, 2003**

(54) **EXERCISE BIKE WITH THREE WHEELS**

5,306,218 A \* 4/1994 Huang Chen ..... 482/72

(76) Inventor: **Lien-Chuan Yang**, 11F-1, No. 149,  
Roosevelt Rd. Sec. 3, Taipei (TW)

5,630,774 A \* 5/1997 Geschwender ..... 482/57

6,189,908 B1 \* 2/2001 Lu ..... 280/284

(\*\*) Term: **14 Years**

\* cited by examiner

(21) Appl. No.: **29/172,830**

*Primary Examiner*—Philip S. Hyder

(22) Filed: **Dec. 18, 2002**

(74) *Attorney, Agent, or Firm*—Dennison, Schultz &  
Dougherty

(51) **LOC (7) Cl.** ..... **21-02**

(52) **U.S. Cl.** ..... **D21/662; D12/112**

(58) **Field of Search** ..... D21/662, 663,  
D21/664, 665, 666, 667, 668; D12/111,  
112; 280/266, 267, 284

(57) **CLAIM**

The ornamental design for an exercise bike with three wheels, as shown and described.

**DESCRIPTION**

FIG. 1 is a perspective view of the exercise bike with three wheels showing the new design;

FIG. 2 is a front view of the new design;

FIG. 3 is a rear view of the new design;

FIG. 4 is a left view of the new design;

FIG. 5 is a right view of the new design;

FIG. 6 is a top view of the new design; and,

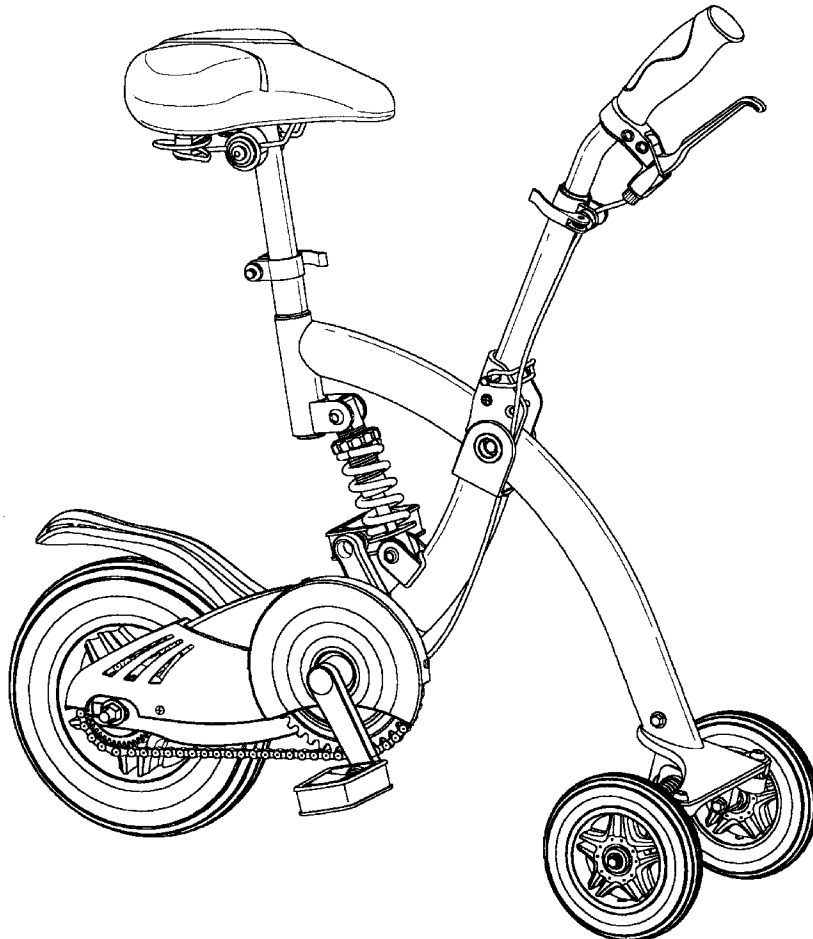
FIG. 7 is a bottom view of the new design.

(56) **References Cited**

**U.S. PATENT DOCUMENTS**

D231,442 S	*	4/1974	Douglas	.....	D12/112
3,860,264 A	*	1/1975	Douglas et al.	.....	280/266
4,417,743 A	*	11/1983	Garel	.....	280/266
4,523,770 A	*	6/1985	Lee	.....	280/266
4,657,272 A	*	4/1987	Davenport	.....	280/266

**1 Claim, 5 Drawing Sheets**



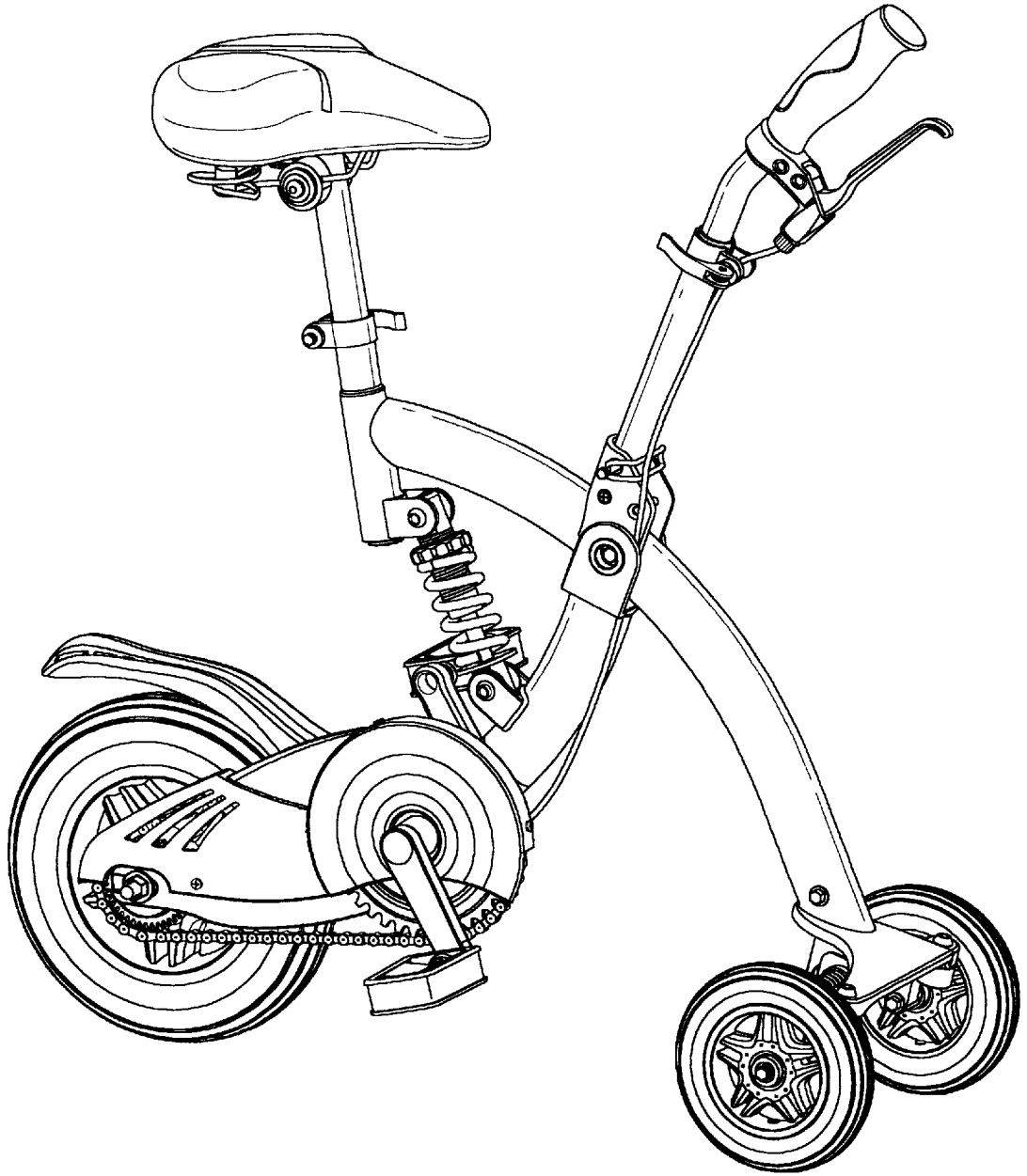


Fig. 1

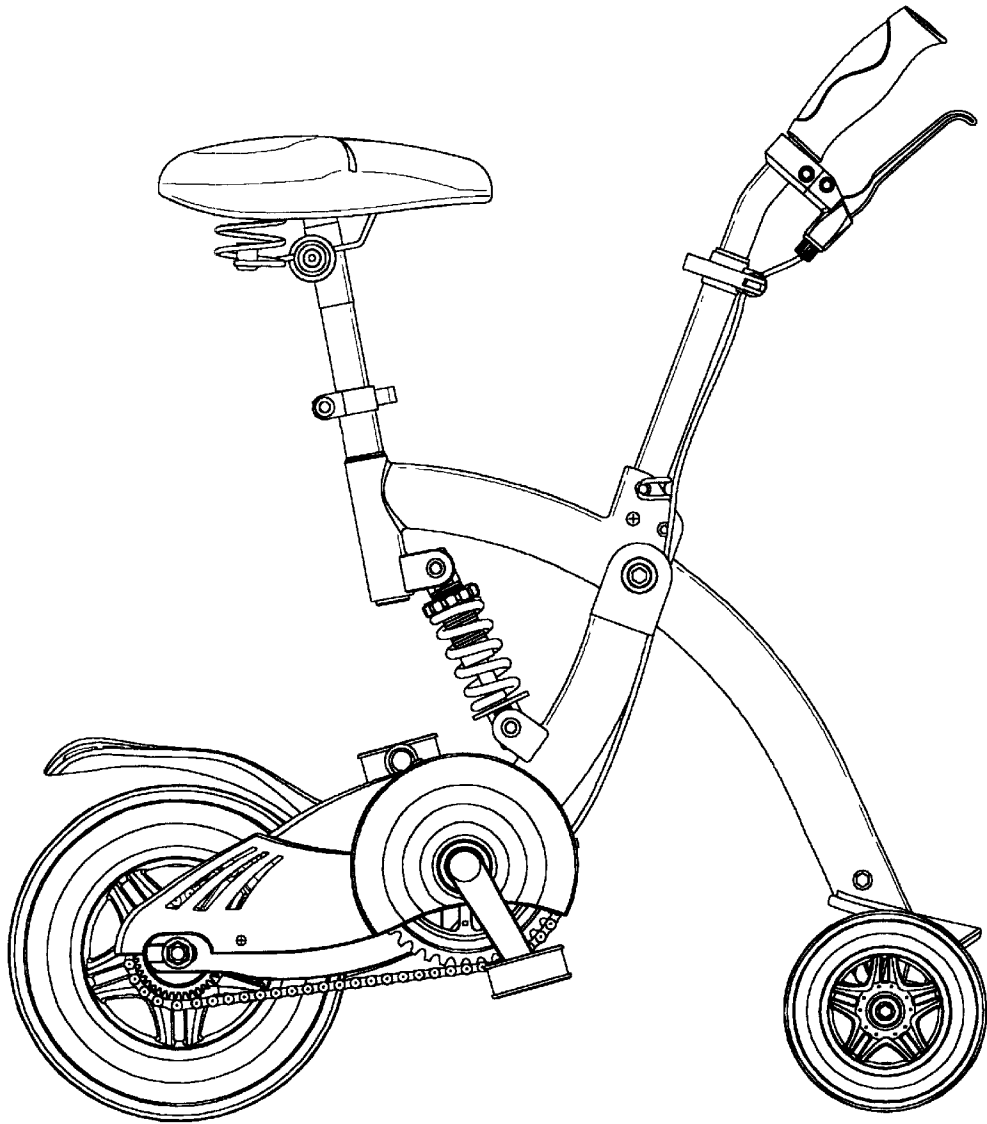


Fig. 2



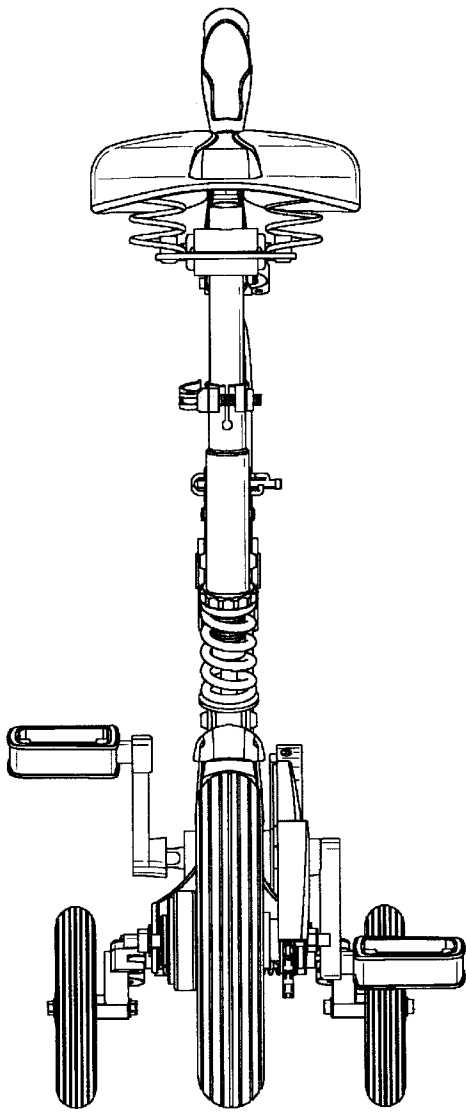


Fig. 4

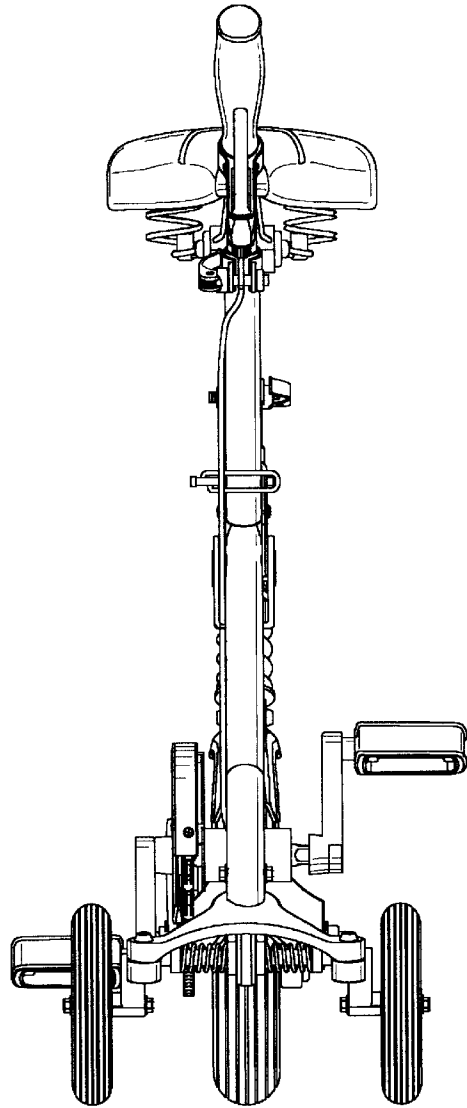


Fig. 5

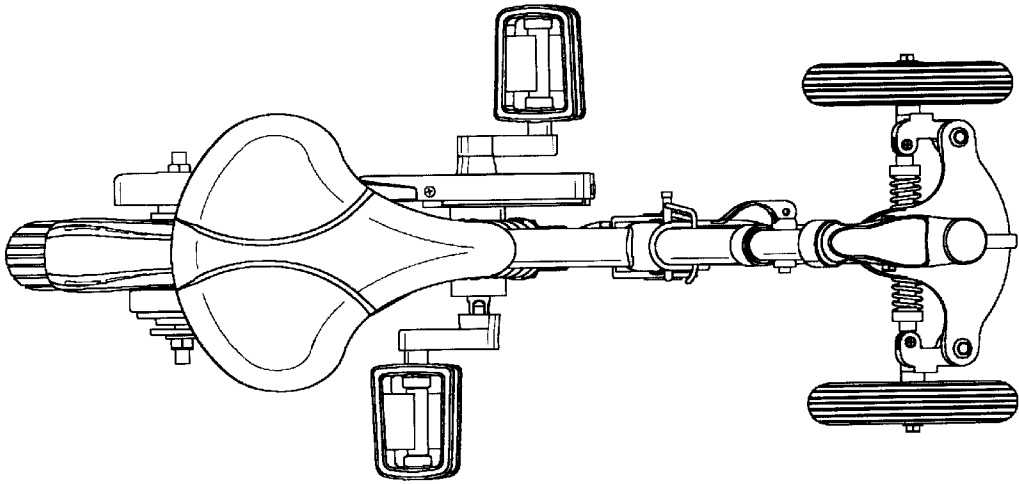


Fig. 6

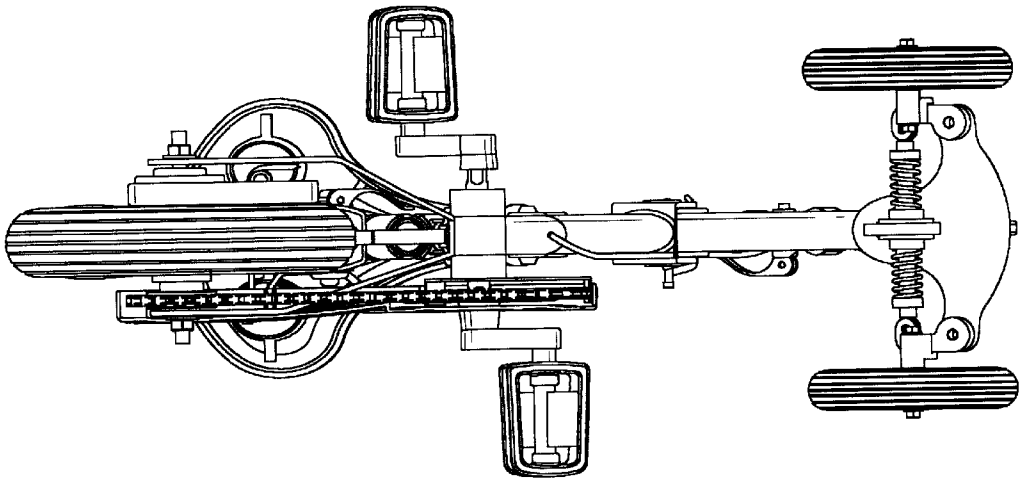


Fig. 7