



US00D573759S

(12) **United States Design Patent**
Konno et al.

(10) **Patent No.:** **US D573,759 S**

(45) **Date of Patent:** **** Jul. 22, 2008**

- (54) **ELECTRIC VACUUM CLEANER**
- (75) Inventors: **Kiyoaki Konno**, Osaka (JP); **Masakazu Umeda**, Osaka (JP); **Hisashi Yoshida**, Osaka (JP); **Taro Iike**, Osaka (JP); **Morgan Brown**, Danville, KY (US)
- (73) Assignee: **Matsushita Electric Industrial Co., Ltd.**, Kadoma-shi (JP)

D462,815 S	9/2002	Roberts	
D463,078 S *	9/2002	Harada	D32/22
D485,027 S	1/2004	Brown	
D494,720 S	8/2004	Rosenzweig	
D510,465 S *	10/2005	Takahashi et al.	D32/22
D530,472 S	10/2006	Konno	
D532,944 S *	11/2006	Choi	D32/22
D535,069 S *	1/2007	Breit	D32/22
D537,584 S *	2/2007	Greene et al.	D32/22
D553,814 S *	10/2007	Parr et al.	D32/22

(**) Term: **14 Years**

FOREIGN PATENT DOCUMENTS

(21) Appl. No.: **29/277,479**

EM 000236286001 A1 1/2005

(22) Filed: **Feb. 27, 2007**

* cited by examiner

(51) **LOC (8) Cl.** **15-05**

Primary Examiner—Ruth McInroy

(52) **U.S. Cl.** **D32/22**

(74) *Attorney, Agent, or Firm*—Christensen O'Connor Johnson Kindness PLLC

(58) **Field of Classification Search** D32/17,
D32/18, 22, 31; 15/344, 329, 347, 350–353,
15/361, 363, 412, 334; 55/343, 349, 424,
55/459.1, DIG. 3

(57) **CLAIM**

See application file for complete search history.

The ornamental design for an electric vacuum cleaner, as shown and described.

(56) **References Cited**

DESCRIPTION

U.S. PATENT DOCUMENTS

D309,203 S	7/1990	Goodrich	
5,101,532 A	4/1992	Dyson	
D343,707 S	1/1994	Dyson	
D365,669 S	12/1995	Piccaluga	
D417,533 S	12/1999	Burchard	
D429,776 S	8/2000	Gammack	
D435,945 S	1/2001	Ikeno	
D439,379 S *	3/2001	Gammack et al.	D32/22
6,341,404 B1	1/2002	Salo	
D462,813 S *	9/2002	Nakano et al.	D32/22
D462,814 S	9/2002	Sugimoto	

FIG. 1 is a perspective view of the top, front and right side of an electric vacuum cleaner showing our new design;

FIG. 2 is a front view thereof;

FIG. 3 is a top plan view thereof;

FIG. 4 is a left side view thereof;

FIG. 5 is a right side view thereof;

FIG. 6 is a rear view thereof; and,

FIG. 7 is a bottom view thereof.

1 Claim, 4 Drawing Sheets

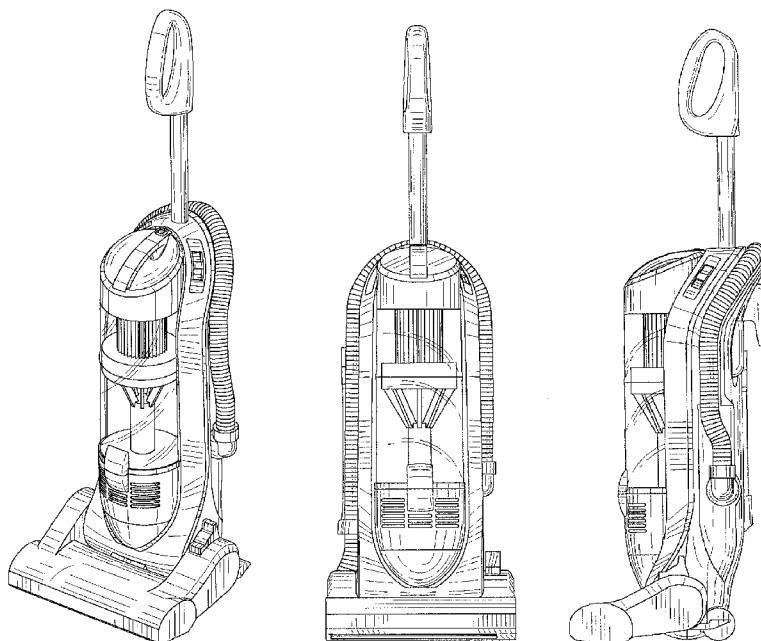


FIG. 1

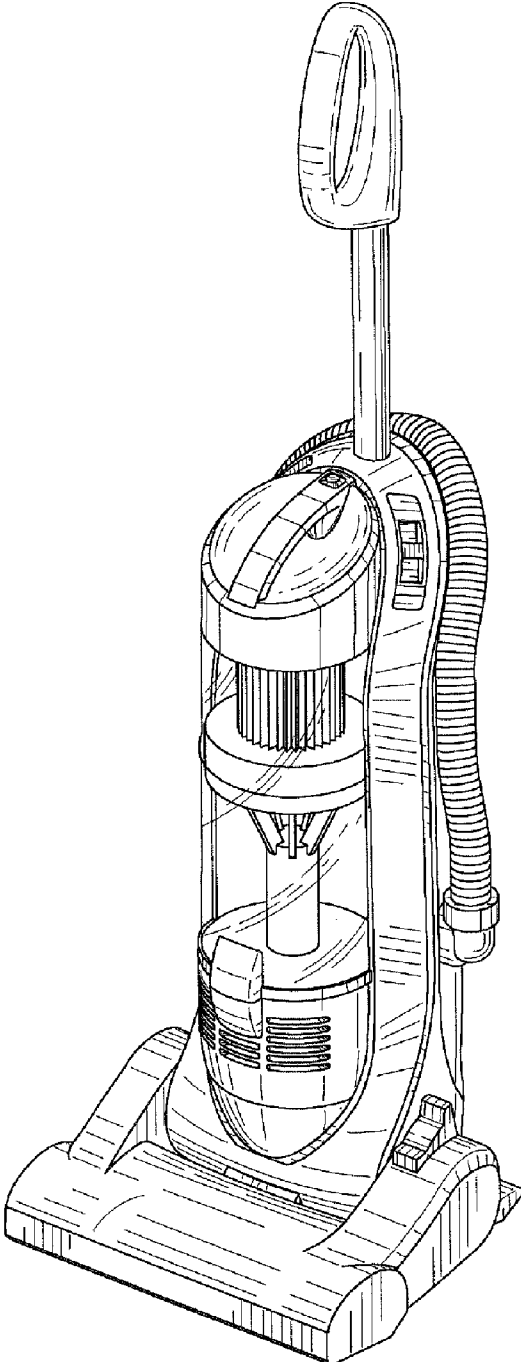


FIG.2

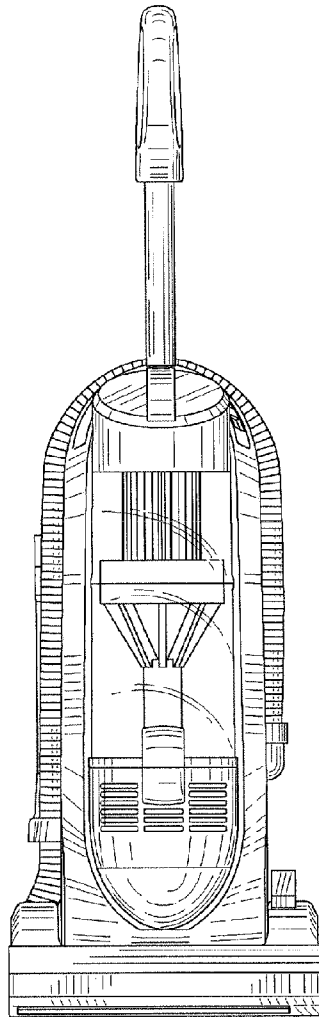


FIG.3

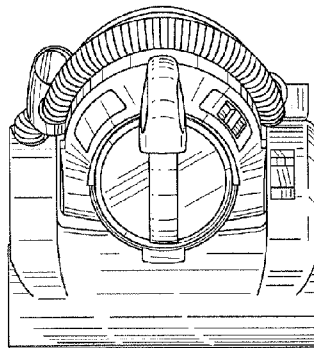


FIG.4

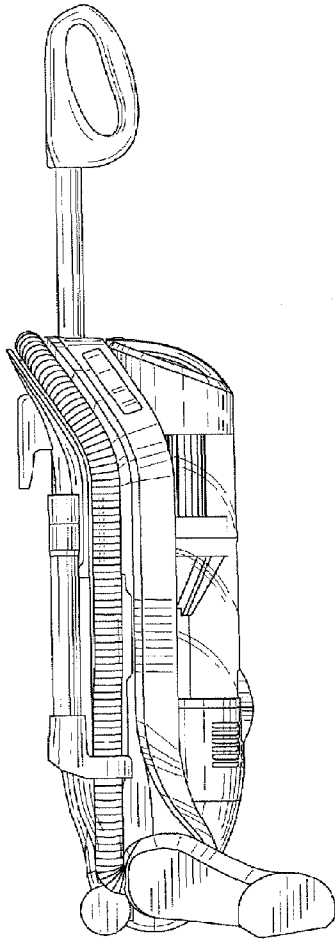


FIG.5

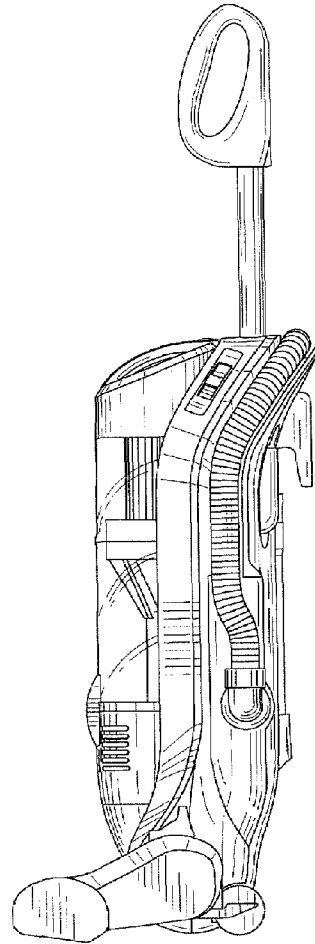


FIG.7

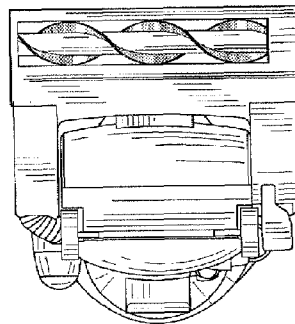


FIG. 6

