



US00D854757S

(12) **United States Design Patent**  
**Willows et al.**

(10) **Patent No.:** **US D854,757 S**

(45) **Date of Patent:** **\*\* Jul. 23, 2019**

- (54) **REFLECTIVE STRIP**
- (71) Applicant: **Amphipod, Inc.**, Seattle, WA (US)
- (72) Inventors: **Keith S. Willows**, Seattle, WA (US);  
**June A. Angus**, Seattle, WA (US);  
**Antonio Del Rosario**, Bellevue, WA (US)
- (73) Assignee: **Amphipod, Inc.**, Seattle, WA (US)
- (\*\*) Term: **15 Years**
- (21) Appl. No.: **29/637,630**

- 5,624,065 A 4/1997 Steppe
  - 5,671,517 A 9/1997 Gourley
  - D408,865 S 4/1999 Link et al.
  - 5,913,483 A 6/1999 Polk
  - 6,267,462 B1 7/2001 Miller et al.
- (Continued)

*Primary Examiner* — Randall H Gholson  
(74) *Attorney, Agent, or Firm* — Lowe Graham Jones PLLC

(57) **CLAIM**

We claim the ornamental design for a reflective strip, as shown and described.

**DESCRIPTION**

FIGS. 1-7 illustrate a first embodiment of a reflective strip, showing our new design.

FIG. 1 is a front view of the reflective strip.

FIG. 2 is a top view of the reflective strip.

FIG. 3 is a left side view of the reflective strip.

FIG. 4 is a right side view of the reflective strip.

FIG. 5 is a bottom view of the reflective strip.

FIG. 6 is rear a view of the reflective strip.

FIG. 7 is a perspective view of the reflective strip, shown in a folded position and clipped to a representative pocket illustrated in broken lines.

FIGS. 8-14 illustrate a second embodiment of the reflective strip.

FIG. 8 is a front view of the reflective strip.

FIG. 9 is a top view of the reflective strip.

FIG. 10 is a left side view of the reflective strip.

FIG. 11 is a right side view of the reflective strip.

FIG. 12 is a bottom view of the reflective strip.

FIG. 13 is rear a view of the reflective strip; and,

FIG. 14 is a perspective view of the reflective strip, shown in a folded position and clipped to a representative pocket illustrated in broken lines.

The broken lines shown in the drawings represent unclaimed subject matter and form no part of the claimed design.

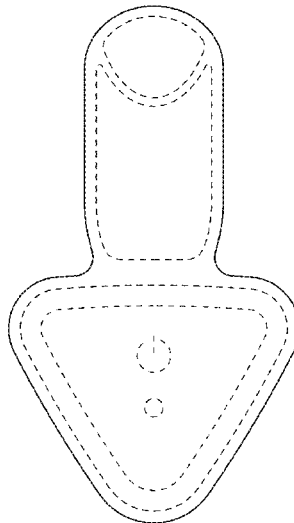
- (22) Filed: **Feb. 20, 2018**
- (51) **LOC (11) Cl.** ..... **29-02**
- (52) **U.S. Cl.**  
USPC ..... **D29/122; D2/895**
- (58) **Field of Classification Search**  
USPC ..... D29/122; D10/109.1; D20/10  
CPC ..... A41D 13/01; A41D 27/08; B60Q 7/00;  
A01K 13/003; A45F 3/14; B62J 27/00  
See application file for complete search history.

(56) **References Cited**

U.S. PATENT DOCUMENTS

2,441,002 A	5/1943	Berglund
3,363,293 A	1/1968	Nemrod et al.
3,849,804 A	11/1974	Rakow
3,894,790 A	7/1975	Golden et al.
3,901,554 A	8/1975	Kennedy et al.
4,517,685 A	5/1985	Lesley
4,571,025 A	2/1986	Stephen
4,574,742 A	3/1986	Morgan
5,088,439 A	2/1992	Anderson
5,169,702 A	12/1992	Schell
5,193,026 A	3/1993	Purvis et al.
5,349,920 A	9/1994	Koizumi
D369,237 S	4/1996	Gamm
5,520,417 A	5/1996	Kennemer

**1 Claim, 4 Drawing Sheets**



(56)

**References Cited**

U.S. PATENT DOCUMENTS

D454,671	S	3/2002	Miller et al.	
6,779,815	B2	8/2004	Vandeputte	
6,928,951	B2	8/2005	Huang	
D567,449	S	4/2008	Armentrout et al.	
7,404,242	B1	7/2008	Ferler	
D623,309	S	9/2010	Turtzo et al.	
D635,287	S	3/2011	Lombana	
D639,345	S	6/2011	Jedlicka	
D664,348	S	7/2012	Armstrong	
D670,074	S	11/2012	Willows et al.	
8,408,730	B2	4/2013	Hurwitz	
8,426,072	B2	4/2013	Hurwitz	
8,998,052	B1	4/2015	Mitchell	
D745,221	S	12/2015	Willows et al.	
D745,223	S	12/2015	Willows et al.	
D754,931	S	4/2016	Willows et al.	
D754,932	S	4/2016	Willows et al.	
9,310,068	B1	4/2016	Mason	
D779,133	S *	2/2017	Willows .....	D10/109.1
D800,392	S *	10/2017	Willows .....	D29/122

\* cited by examiner

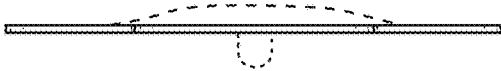


Fig. 2



Fig. 3

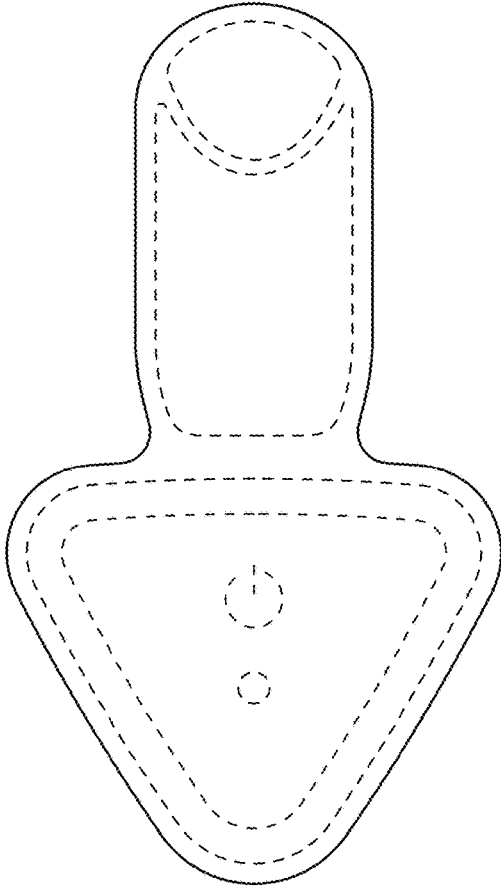


Fig. 1



Fig. 4

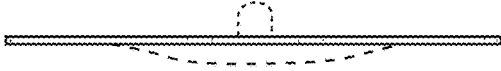


Fig. 5

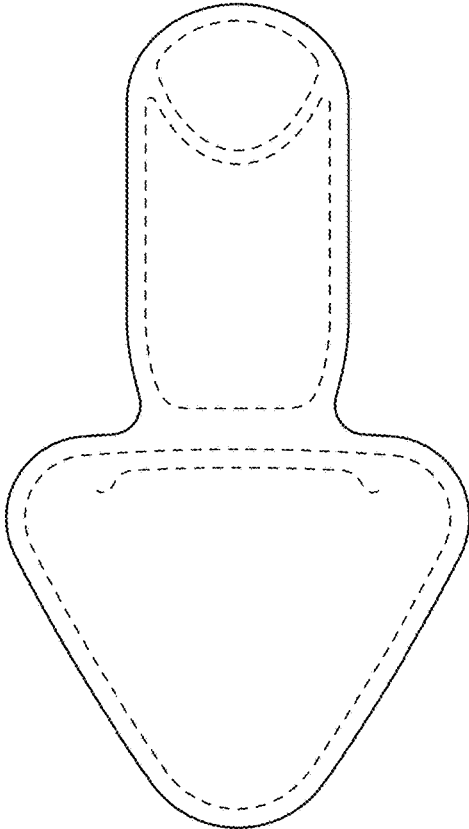


Fig. 6

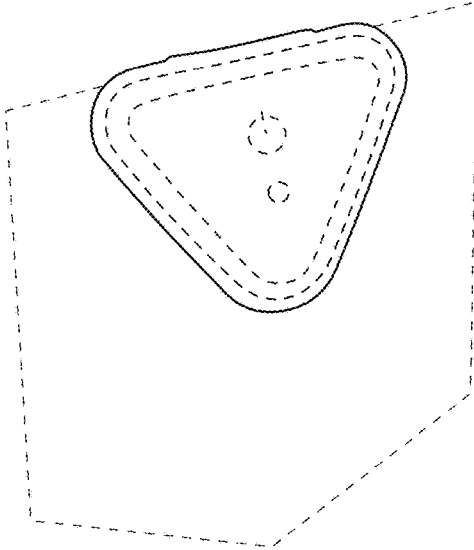


Fig. 7

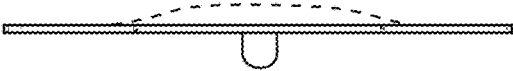


Fig. 9

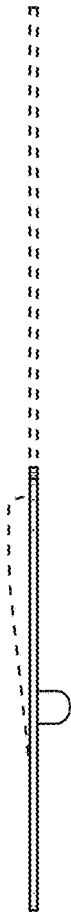


Fig. 10

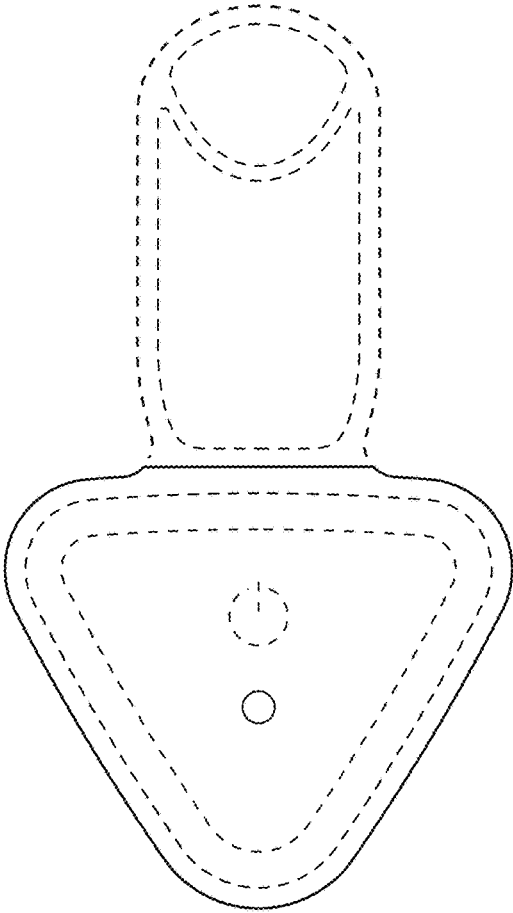


Fig. 8



Fig. 11

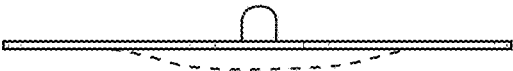


Fig. 12

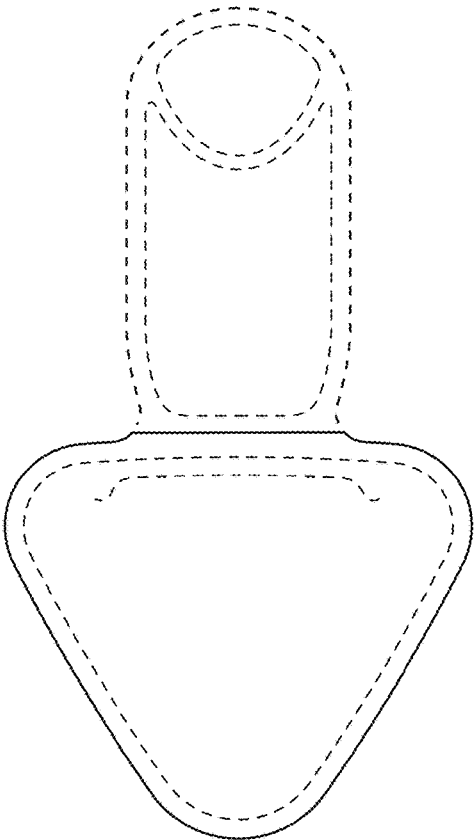


Fig. 13

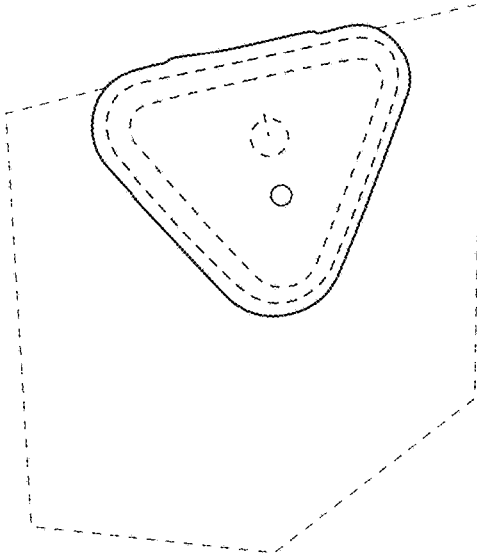


Fig. 14