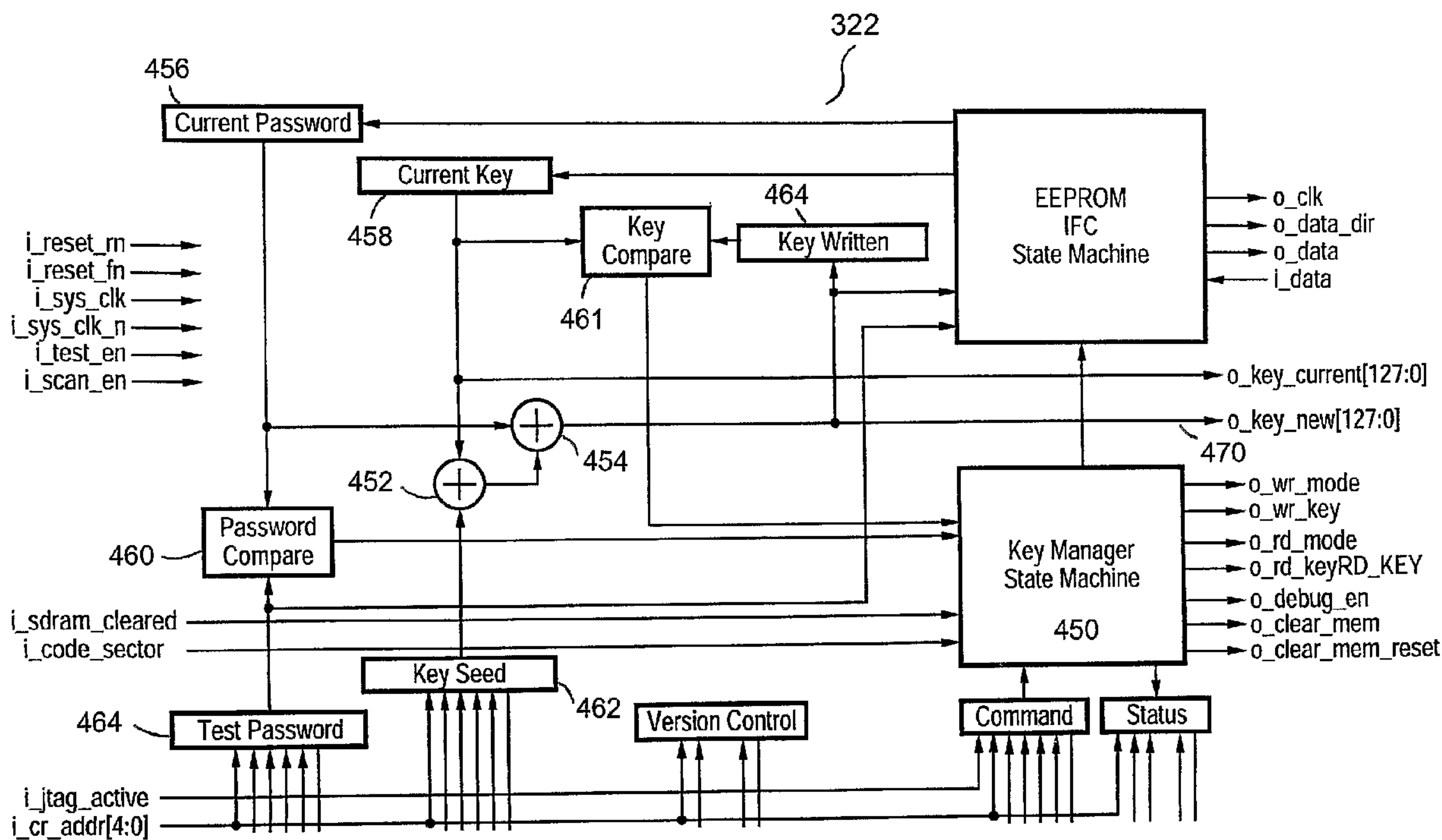




(86) Date de dépôt PCT/PCT Filing Date: 2005/02/04
 (87) Date publication PCT/PCT Publication Date: 2005/08/18
 (45) Date de délivrance/Issue Date: 2011/03/22
 (85) Entrée phase nationale/National Entry: 2006/02/28
 (86) N° demande PCT/PCT Application No.: CA 2005/000135
 (87) N° publication PCT/PCT Publication No.: 2005/076515
 (30) Priorité/Priority: 2004/02/05 (US60/541,972)

(51) Cl.Int./Int.Cl. *H04L 9/00* (2006.01),
G06F 12/14 (2006.01), *H04L 9/14* (2006.01),
H04L 9/32 (2006.01)
 (72) Inventeurs/Inventors:
 LITTLE, HERBERT A., CA;
 RANDELL, JERROLD R., CA;
 MADTER, RICHARD C., CA;
 HICKEY, RYAN J., CA;
 FERGUSSON, ANDREW A., CA
 (73) Propriétaire/Owner:
 RESEARCH IN MOTION LIMITED, CA
 (74) Agent: DIMOCK STRATTON LLP

(54) Titre : STOCKAGE SUR PUCE, CREATION ET MANIPULATION D'UNE CLE DE CRYPTAGE
 (54) Title: ON-CHIP STORAGE, CREATION, AND MANIPULATION OF AN ENCRYPTION KEY



(57) Abrégé/Abstract:

A system and method of creating and managing encryption keys in a data processing device generates subsequent encryption keys by combining the existing encryption key with an existing password and seed value. In the preferred embodiment, the initial encryption key is embedded during manufacture and is unknown to the user and manufacturer, thus ensuring that all subsequent encryption keys are derived from an unknown value. When a subsequent encryption key is generated, all data encrypted using the existing encryption key is decrypted using the existing encryption key and re-encrypted using the subsequent encryption key before the existing encryption key is overwritten. In a further aspect, during encryption/decryption the encryption key is combined with the sector address of the data to be encrypted/decrypted in order to generate a unique key for each sector of data to be encrypted/decrypted.

(12) INTERNATIONAL APPLICATION PUBLISHED UNDER THE PATENT COOPERATION TREATY (PCT)

(19) World Intellectual Property
Organization
International Bureau



(43) International Publication Date
18 August 2005 (18.08.2005)

PCT

(10) International Publication Number
WO 2005/076515 A1

(51) International Patent Classification⁷: **H04L 9/00**,
9/14, 9/32, G06F 12/14

Ontario N0B 2J0 (CA). **HICKEY, Ryan, J.** [CA/CA]; 5
Father David Bauer Drive, Unit 202, Waterloo, Ontario
N2L 6M2 (CA). **FERGUSON, Andrew, A.** [CA/CA];
3001 Boomer Line, St. Clements, Ontario N0B 2M0 (CA).

(21) International Application Number:
PCT/CA2005/000135

(74) Agents: **WILSON, Jenna, L.** et al.; Dimock Stratton LLP,
20 Queen St. W., Suite 3202, Box 102, Toronto, Ontario
M5H 3R3 (CA).

(22) International Filing Date: 4 February 2005 (04.02.2005)

(25) Filing Language: English

(81) Designated States (unless otherwise indicated, for every
kind of national protection available): AE, AG, AL, AM,
AT, AU, AZ, BA, BB, BG, BR, BW, BY, BZ, CA, CH, CN,
CO, CR, CU, CZ, DE, DK, DM, DZ, EC, EE, EG, ES, FI,
GB, GD, GE, GH, GM, HR, HU, ID, IL, IN, IS, JP, KE,
KG, KP, KR, KZ, LC, LK, LR, LS, LT, LU, LV, MA, MD,
MG, MK, MN, MW, MX, MZ, NA, NI, NO, NZ, OM, PG,
PH, PL, PT, RO, RU, SC, SD, SE, SG, SK, SL, SY, TJ, TM,
TN, TR, TT, TZ, UA, UG, US, UZ, VC, VN, YU, ZA, ZM,
ZW.

(26) Publication Language: English

(30) Priority Data:
60/541,972 5 February 2004 (05.02.2004) US

(71) Applicant (for all designated States except US): **RE-
SEARCH IN MOTION LIMITED** [CA/CA]; 295 Phillip
Street, Waterloo, Ontario N2L 3W8 (CA).

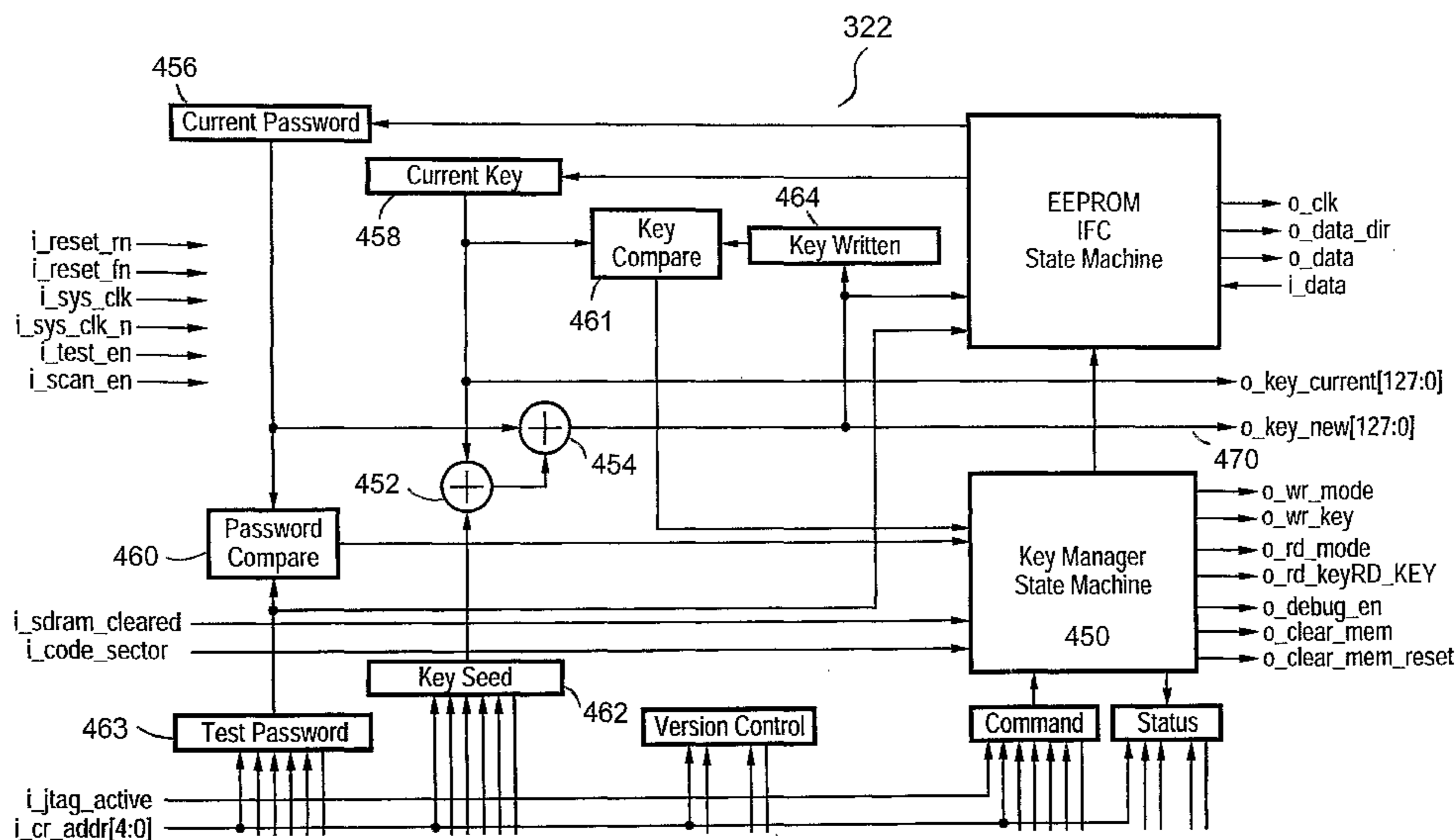
(72) Inventors; and

(75) Inventors/Applicants (for US only): **LITTLE, Herbert
A.** [CA/CA]; 504 Old Oak Place, Waterloo, Ontario
N2T 2V8 (CA). **RANDELL, Jerrold, R.** [CA/CA]; 534
Sandbanks Cres., Waterloo, Ontario N2V 2K2 (CA).
MADTER, Richard, C. [CA/CA]; R.R. #1, Puslinch,

(84) Designated States (unless otherwise indicated, for every
kind of regional protection available): ARIPO (BW, GH,
GM, KE, LS, MW, MZ, NA, SD, SL, SZ, TZ, UG, ZM,
ZW), Eurasian (AM, AZ, BY, KG, KZ, MD, RU, TJ, TM),
European (AT, BE, BG, CH, CY, CZ, DE, DK, EE, ES, FI,
FR, GB, GR, HU, IE, IS, IT, LT, LU, MC, NL, PL, PT, RO,

[Continued on next page]

(54) Title: ON-CHIP STORAGE, CREATION, AND MANIPULATION OF AN ENCRYPTION KEY



(57) Abstract: A system and method of creating and managing encryption keys in a data processing device generates subsequent encryption keys by combining the existing encryption key with an existing password and seed value. In the preferred embodiment, the initial encryption key is embedded during manufacture and is unknown to the user and manufacturer, thus ensuring that all subsequent encryption keys are derived from an unknown value. When a subsequent encryption key is generated, all data encrypted using the existing encryption key is decrypted using the existing encryption key and re-encrypted using the subsequent encryption key before the existing encryption key is overwritten. In a further aspect, during encryption/decryption the encryption key is combined with the sector address of the data to be encrypted/decrypted in order to generate a unique key for each sector of data to be encrypted/decrypted.

WO 2005/076515 A1

WO 2005/076515 A1



SE, SI, SK, TR), OAPI (BF, BJ, CF, CG, CI, CM, GA, GN, GQ, GW, ML, MR, NE, SN, TD, TG).

For two-letter codes and other abbreviations, refer to the "Guidance Notes on Codes and Abbreviations" appearing at the beginning of each regular issue of the PCT Gazette.

Published:

— *with international search report*

**ON-CHIP STORAGE, CREATION, AND MANIPULATION OF AN
ENCRYPTION KEY**

Reference to Prior Applications

This application claims priority from the same basis as published United
5 States Application No. 11/051,560, published as 2005/0232415.

Background

Technical Field

This invention relates to data processing systems. In particular, this invention
relates to a data security system using on-chip secure key storage, which is
10 particularly suitable for use in portable data processing devices.

Description of Related Art

The use of portable data processing systems has increased significantly in
recent years. In addition to so called "laptop" and "tablet" computers, there is a
growing popularity in handheld data processing devices, often called a "personal
15 digital assistant" or "PDA." All of these devices are capable of storing a significant
amount of user data, including calendar, address book, tasks and numerous other
types of data for business and personal use. Most handheld data processing devices
have the ability to connect to a personal computer for data exchange, and many are
equipped for wireless communications using, for example, conventional email
20 messaging systems. Depending upon the user's needs much of this data can be highly
sensitive in nature, especially for example in a government, military or commercial
context.

Portable data processing systems are typically password protected, which is
sufficient to protect the information against attack by ordinary individuals. However,
25 if the device were to fall into the hands of a technically sophisticated individual with
malicious intent, there are ways to obtain the data stored in memory in such a device.
For example, if the data is not encrypted, a technically skilled individual can remove
the memory chip and extract the data directly from the chip.

If the data is encrypted, it can only be compromised if the attacker has access
30 to the encryption key. In a software-based encryption system, the encryption key is

accessible to a technically sophisticated individual who has unlimited access to the device. Furthermore, software-based encryption systems are often cumbersome, and as such degrade processing speed and overall system performance.

It is accordingly desirable to provide a hardware-based encryption system that encrypts and decrypts data in real time, without markedly reducing the operating speed of the device or markedly increasing energy consumption.

Summary

In accordance with an embodiment of the invention, a method for encrypting data stored in a memory is provided, comprising the steps of: identifying the address in memory of the data to be encrypted; retrieving an encryption key; generating at least one unique key derived from the encryption key and the address of the data; and encrypting the data using the at least one unique key. In a further aspect of the invention, the address in memory of the data is the sector address and the unique key is derived by XOR-ing the bits of the sector address with the encryption key, and the step of encrypting the data may be accomplished using AES. In another embodiment of the invention, the method further comprises the steps of receiving a request to decrypt encrypted data stored in the memory; generating at least one unique key derived from the encryption key and the address of the data; and decrypting the data using the at least one unique key.

Yet another aspect of the invention is a method for data stored in a memory, comprising the steps of: retrieving an encryption key; identifying the address in memory of a first portion of the data to be encrypted; deriving a first unique key from the encryption key and the address of the first portion of data; encrypting the first portion of data using the first unique key; identifying the address in memory of a second portion of data to be encrypted; deriving a second unique key from the encryption key and the address of the second portion of data; and encrypting the second portion of data using the second unique key. In a further aspect, the address in memory of the data is the sector address and the unique key is derived by XOR-ing the bits of the sector address with the encryption key. Yet another aspect is that the method further comprises the steps of receiving a request to decrypt encrypted data

stored in the memory; identifying the address in memory of a first portion of the data to be decrypted; deriving a first decryption unique key from the encryption key and the address of the first portion of data; decrypting the first portion of data using the first decryption unique key; identifying the address in memory of a second portion of data to be decrypted; deriving a second decryption unique key from the encryption key and the address of the second portion of data; and decrypting the second portion of data using the second decryption unique key. In an embodiment, the steps of identifying the addresses of the first and second portions of data and deriving the first and second unique keys are carried out prior to encryption of any data. In a further embodiment, the steps of identifying the addresses of the first and second portions of data to be encrypted and deriving the first and second unique keys are carried out prior to encryption of any data, and the steps of identifying the addresses of the first and second portions of data to be decrypted and deriving the first and second decryption unique keys are carried out prior to decryption of any data. Still another aspect is that the decryption of the second portion of data is carried out prior to the decryption of the first portion of data.

Another aspect of the invention is a method for decrypting data stored in a memory, comprising the steps of identifying the address in memory of the data to be decrypted; retrieving a decryption key; generating at least one unique key derived from the decryption key and the address of the data; and decrypting the data using the at least one unique key. In a further aspect, the method comprises the steps of retrieving a decryption key; identifying the address in memory of a first portion of the data to be decrypted; deriving a first unique key from the decryption key and the address of the first portion of data; decrypting the first portion of data using the first unique key; identifying the address in memory of a second portion of data to be decrypted; deriving a second unique key from the decryption key and the address of the second portion of data; and decrypting the second portion of data using the second unique key. Preferably, each portion of data is a sector of data and each unique key is derived by XOR-ing the bits of the address with the encryption key.

Yet another aspect of the invention is password authorization, including the steps of receiving a request for access to encrypted data stored in the memory

component and a password; comparing the received password with a predetermined password; and if the received password and the predetermined password match, permitting access to encrypted data and carrying out the unique key generation and decryption steps. In a further aspect, the method includes the steps of receiving a
5 request for access to encrypted data stored in the memory component and a password; comparing the received password with a predetermined password; and if the received password and the predetermined password match, permitting access to encrypted data and carrying out the unique key derivation and decryption steps.

Yet a further aspect is that an encryption module for a computing device for
10 encrypting data stored in a memory is provided, the encryption module being configured to: identify the address in memory of the data to be encrypted; retrieve an encryption key; generate at least one unique key derived from the encryption key and the address of the data; and encrypt the data using the at least one unique key. In another aspect, the encryption module is further configured to retrieve an encryption
15 key; identify the address in memory of a first portion of the data to be encrypted; derive a first unique key from the encryption key and the address of the first portion of data; encrypt the first portion of data using the first unique key; identify the address in memory of a second portion of data to be encrypted; derive a second unique key from the encryption key and the address of the second portion of data; and encrypt the
20 second portion of data using the second unique key. In still a further aspect, the encryption module is also configured to receive a request to decrypt encrypted data stored in the memory; identify the address in memory of a first portion of the data to be decrypted; derive a first decryption unique key from the encryption key and the address of the first portion of data; decrypt the first portion of data using the first
25 decryption unique key; identify the address in memory of a second portion of data to be decrypted; derive a second decryption unique key from the encryption key and the address of the second portion of data; and decrypt the second portion of data using the second decryption unique key.

In a further aspect, the encryption module is also configured to identify the
30 addresses of the first and second portions of data to be encrypted and derive the first and second unique keys are carried out prior to encryption of any data, and identify the

addresses of the first and second portions of data to be decrypted and derive the first and second decryption unique keys are carried out prior to decryption of any data. The second portion of data is preferably decrypted prior to the decryption of the first portion of data, and preferably the address in memory of the data is the sector address and each unique key is derived by XOR-ing the bits of the sector address with the encryption or decryption key.

In a further aspect of the invention, a communications device is provided for carrying out the methods described above and comprising the encryption module described above.

10 **Brief Description of the Drawings**

In drawings which illustrate by way of example only a preferred embodiment of the system,

Figure 1 is a block diagram of a system overview of a conventional hand-held data processing device.

15 Figure 2 is a system interface block diagram of a data processing device.

Figure 3 is a detailed block diagram of the memory controller interface in the data processing device of Figure 2.

Figure 4 is a detailed block diagram of an AES encryption module in the data processing device of Figure 2.

20 Figure 5 is a Configuration Registers Map for the encryption module of Figure 4.

Figure 6 is an AES Plaintext Register Field table for the encryption module of Figure 4.

25 Figure 7 is an AES Ciphertext Register Field table for the encryption module of Figure 4.

Figure 8 is an AES Key Peripheral Register Field table for the encryption module of Figure 4.

Figure 9 is an AES Manual Register table for the encryption module of Figure 4.

5 Figure 10 is an AES Status Register table for the encryption module of Figure 4.

Figure 11 is an AES Control Register table for the encryption module of Figure 4.

10 Figure 12 is a State Diagram showing the encryption and decryption timing in the encryption module of Figure 4.

Figure 13 is a block diagram of a Serial EEPROM Controller in the encryption module of Figure 4.

Figure 14 is a state diagram for the Serial EEPROM Controller of Figure 13.

15 Figure 15 is a Configuration Registers Map for the Serial EEPROM Controller of Figure 13.

Figure 16A and 16B are first and second parts of a Control Register table for the Serial EEPROM Controller of Figure 13.

Figure 17A and 17B are first and second parts of a Status Register table for the Serial EEPROM Controller of Figure 13.

20 Figure 18 is a Version Control Register table for the Serial EEPROM Controller of Figure 13.

Figure 19 is a Password Register Field table for the Serial EEPROM Controller of Figure 13.

25 Figure 20 is a Key Seed Register Field table for the Serial EEPROM Controller of Figure 13.

Figure 21 is a flowchart of an embodiment of an encryption method carried out by the system.

Figure 22 is a flowchart of an embodiment of an encryption method carried out by the system.

5 Figure 23 is a flowchart of an embodiment of a decryption method carried out by the system.

Detailed Description

The system will be described in detail below, by way of example only, in the context of a hand-held data processing device having wireless communications capabilities as illustrated in Figures 1 to 3. However, it will be appreciated that the principles apply to other data processing devices and the system is not intended to be limited thereby.

The present system provides an on-chip encryption system in which the encryption key is hardware-based. The hardware-based encryption system encrypts and decrypts that data in real time, without markedly reducing the operating speed of the device or markedly increasing energy consumption.

In the system, the data is encrypted using a hardware implementation of any suitable encryption algorithm, for example Advanced Encryption Standard (AES). In the preferred embodiment an initial encryption key is selected randomly and embedded at the time of manufacture of the chip, and preferably even the manufacturer does not retain any record of the randomly-selected initial encryption key. If the encryption key is to be changed after manufacture, all of the encrypted data must be read out of memory, decrypted using the key existing at the time of encryption, re-encrypted with the new key, and written back into memory. As the encryption key is changed, the components of the prior key(s) accumulate and form part of the new key together with an existing password and a seed value.

To further increase security, in the preferred embodiment the encryption algorithm uses the address location of the data, so that the same data will be encrypted

differently in successive encryption cycles because the location of the data in memory will typically differ from the previous location in which it had been stored. In the preferred embodiment, bits of the data sector address are exclusive-or'ed with the encryption/decryption key(s) to generate unique key(s). Since the encryption key is typically longer than the data sector address, not all the bits in the unique key thus generated will be distinct from the bits in the original encryption key; regardless, in the preferred embodiment, the keys thus generated will still be unique and specific to the location of the data to be encrypted. In this manner, a unique key is used for identical pieces of data stored in different memory locations. The encryption algorithm generates the necessary unique keys on the fly. As shown in Figure 21, the encryption algorithm identifies the address of the data to be encrypted at step 600; retrieves the encryption key 610; generates the unique key(s) 620; and then encrypts the blocks of data at step 630.

In the preferred embodiment the encryption system performs a password verification before any data from memory can be decrypted. Also, in the preferred embodiment the encryption key is not derived from the password, so even a weak password will not compromise the key, and before any data from memory can be decrypted a security controller performs a password verification. It is possible to change the value of the key at anytime by transitioning through a state machine that requires successful entry of the password, and once the key is changed, all of the existing data that is encrypted with the old key must be read out using the old key and re-written using the new key.

Preferably the system will store up to four independent keys in non-volatile memory. The software may chose to use one or more of the extra key slots for redundant storage of a master key. The extra keys could also be used for different encryption purposes; for example, email could be encrypted with one key while a second key can be used to encrypt third party JAVA applications.

The use of a hardware-based encryption engine gives the manufacturer of the chip complete control over the encryption key that is inaccessible to software, even in

debugging modes. This significantly reduces opportunities for attack. It also accelerates the encryption process and uses less energy than software-based systems.

These and other advantages of the system will become apparent from the description which follows.

5 The hand-held mobile communication devices 10 include a housing, a keyboard 14 and an output device 16. The output device shown is a display 16, which is preferably a full graphic LCD. Other types of input devices and output devices may alternatively be utilized. A processor 18, which is shown schematically in Figure 1, is contained within the housing and is coupled between the keyboard 14 and the display
10 16. The processor 18 controls the operation of the display 16, as well as the overall operation of the mobile device 10, in response to actuation of keys on the keyboard 14 by the user.

 The housing may be elongated vertically, or may take on other sizes and shapes (including clamshell housing structures). The keyboard may include a mode
15 selection key, or other hardware or software for switching between text entry and telephony entry.

 In addition to the processor 18, other parts of the mobile device 10 are shown schematically in Fig. 1. These include a communications subsystem 100; a short-range communications subsystem; the keyboard 14 and the display 16, along with other
20 input/output devices 106, 108, 110 and 112; as well as memory devices 116, 118 and various other device subsystems 120. The mobile device 10 is preferably a two-way RF communication device having voice and data communication capabilities. In addition, the mobile device 10 preferably has the capability to communicate with other computer systems via the Internet.

25 Operating system software executed by the processor 18 is preferably stored in a persistent store, such as a flash memory 116, but may be stored in other types of memory devices, such as a read only memory (ROM) or similar storage element. In addition, system software, specific device applications, or parts thereof, may be temporarily loaded into a volatile store, such as a random access memory (RAM), in

The processor 18, in addition to its operating system functions, enables execution of software applications 130A-130N on the device 10. A predetermined set of applications that control basic device operations, such as data and voice communications 130A and 130B, may be installed on the device 10 during
5 manufacture. In addition, a personal information manager (PIM) application may be installed during manufacture. The PIM is preferably capable of organizing and managing data items, such as e-mail, calendar events, voice mails, appointments, and task items. The PIM application is also preferably capable of sending and receiving data items via a wireless network 140. Preferably, the PIM data items are seamlessly
10 integrated, synchronized and updated via the wireless network 140 with the device user's corresponding data items stored or associated with a host computer system.

Communication functions, including data and voice communications, are performed through the communication subsystem 100, and possibly through the short-range communications subsystem. The communication subsystem 100 includes a
15 receiver 150, a transmitter 152, and one or more antennas 154 and 156. In addition, the communication subsystem 100 also includes a processing module, such as a digital signal processor (DSP) 158, and local oscillators (LOs) 160. The specific design and implementation of the communication subsystem 100 is dependent upon the communication network in which the mobile device 10 is intended to operate. For
20 example, a mobile device 10 may include a communication subsystem 100 designed to operate with the Mobitex™, Data TAC™ or General Packet Radio Service (GPRS) mobile data communication networks and also designed to operate with any of a variety of voice communication networks, such as Advanced Mobile Phone Service (AMPS), Time Division Multiple Access (TDMA), Code Division Multiple Access
25 (CDMA), Personal Communications Service (PCS), Gmobile System for Mobile Communications (GSM), etc. Other types of data and voice networks, both separate and integrated, may also be utilized with the mobile device 10.

Network access requirements vary depending upon the type of communication system. For example, in the Mobitex and DataTAC networks, mobile devices are
30 registered on the network using a unique personal identification number or PIN

associated with each device. In GPRS networks, however, network access is associated with a subscriber or user of a device. A GPRS device therefore requires a subscriber identity module, commonly referred to as a SIM card, in order to operate on a GPRS network.

5 When required network registration or activation procedures have been completed, the mobile device 10 may send and receive communication signals over the communication network 140. Signals received from the communication network 140 by the antenna 154 are routed to the receiver 150, which provides for signal amplification, frequency down conversion, filtering, channel selection, etc., and may
10 also provide analog to digital conversion. Analog-to-digital conversion of the received signal allows the DSP 158 to perform more complex communication functions, such as demodulation and decoding. In a similar manner, signals to be transmitted to the network 140 are processed (e.g. modulated and encoded) by the DSP 158 and are then provided to the transmitter 152 for digital to analog conversion, frequency up
15 conversion, filtering, amplification and transmission to the communication network 140 (or networks) via the antenna 156.

In addition to processing communication signals, the DSP 158 provides for control of the receiver 150 and the transmitter 152. For example, gains applied to communication signals in the receiver 150 and transmitter 152 may be adaptively
20 controlled through automatic gain control algorithms implemented in the DSP 158.

In a data communication mode, a received signal, such as a text message or web page download, is processed by the communication subsystem 100 and is input to the processor 18. The received signal is then further processed by the processor 18 for an output to the display 16, or alternatively to some other auxiliary I/O device 106. A
25 device user may also compose data items, such as e-mail messages, using the keyboard 14 and/or some other auxiliary I/O device 106, such as a touchpad, a rocker switch, a thumb-wheel, or some other type of input device. The composed data items may then be transmitted over the communication network 140 via the communication subsystem 100.

In a voice communication mode, overall operation of the device is substantially similar to the data communication mode, except that received signals are output to a speaker 110, and signals for transmission are generated by a microphone 112. Alternative voice or audio I/O subsystems, such as a voice message recording subsystem, may also be implemented on the device 10. In addition, the display 16 may also be utilized in voice communication mode, for example to display the identity of a calling party, the duration of a voice call, or other voice call related information.

The short-range communications subsystem enables communication between the mobile device 10 and other proximate systems or devices, which need not necessarily be similar devices. For example, the short-range communications subsystem may include an infrared device and associated circuits and components, or a Bluetooth™ communication module to provide for communication with similarly-enabled systems and devices.

Figure 3 is a detailed block diagram of an embodiment of a memory controller interface 200 in the data processing device of Figure 2. A power module 190 and a phase locked loop filter 220 interface with the system control module 216. A test controller 225 interfaces with a test control module 310 using a JTAG interface. The host processor 18 signals are managed by a microprocessor controller unit (MCU) interface control module 304. An interrupt generator 306 provides notice to the host processor 18 that the memory controller interface 200 has data, status, and/or instructions to send. An IO pad control module 308 permits pull down, pull up, or other test operations on the IO signals. The memory controller interface 200 is implemented with a flash memory interface controller, in this embodiment a NAND flash interface controller (NIC) 214, in communication with the flash memory; a memory interface controller for the ram, in this embodiment a SDRAM interface controller 300; and possibly other memory control interfaces, such as an auxiliary interface controller 328.

An interface 322 for a serial memory, such as a serial electrical programmable read only memory 334, may be provided for managing encryption keys for the memory interface controller 200. As noted above, preferably multiple keys may be

stored in non-volatile memory, such as EEPROM. Also preferably, the encryption algorithm is implemented in hardware, and the keys cannot be read by software. In this embodiment, the serial memory interface 322 is a serial EEPROM controller. A state diagram and a configuration register map for the preferred embodiment of the serial EEPROM controller 322 is provided in Figures 14 and 15. A control register table and a status register table for the serial EEPROM controller 332 is shown in Figures 16A/B and Figures 17A/B, respectively. A detailed block diagram of an embodiment of the controller 322 is provided in Figure 13. Referring to the block diagram, a key manager state machine 450 receives commands from the memory controller interface 200. The controller further comprises a password compare block 460 for authenticating supplied passwords, and XOR blocks 452 and 454 for generating new keys; a first XOR block 452 receives a key seed value and XORs this value with a current key value, then XORs the result with the current password to produce a new key. The new key is written as shown in block 464, and the controller 332 further comprises a key compare block 461 for verifying the written key.

Other components within the memory controller interface 200 usually include a cache control manager 210, a read/write buffer 212, an encryption block 316, an error correction coding module 324, and an error correction coding read buffer 326. The encryption block 316 is disposed upstream or downstream between the microprocessor controller unit 304 and the NIC 214. A configuration register map for an embodiment of the encryption block 316 is shown in Figure 5.

The system relates to an encryption system for data processing devices such as the hand-held mobile communication device of Figure 1. The encryption module, illustrated in Figure 4, encrypts and decrypts in two different modes: peripheral mode and datapath mode. Peripheral mode allows a programmer to access the encryption module through a peripheral interface, while datapath mode incorporates the encryption module in the chain of functions that bridge SDRAM 118 with NAND 116. The datapath mode happens automatically due to a request from an upstream or downstream block. A peripheral encryption module operation cannot be interrupted by a datapath operation and vice versa. This means that a peripheral operation can be held off by a datapath operation, so a status register is provided for polling.

Preferably, while in datapath mode it is possible to bypass the encryption module 316 such that what comes out is what went in. There are two datapath keys supplied, along with bypass and select signals. The high level management of the keys is done in the serial memory interface block 322. The encryption module 316
5 accommodates such modes as debug and datacopy. The encryption module 316 functions as a peripheral, which can be loaded with a key and plaintext, and then launched. AES plaintext, AES ciphertext, key peripheral, manual, status, and control register tables for use with the preferred embodiment are shown in Figures 6 through 11. Once the status declares the operation is done, the result can be read from the
10 cipher register. A launch can be done automatically or manually. In the automatic case, the encryption module 316 launches once a specific data register is written, and this register can be selected in anticipation of a big or little endian processor.

Under datapath operation there are two keys to choose from when not in bypass: the current key and a new key. Although encryption and decryption can be
15 done with either key, in practical terms decryption will always be done with the current key. Encryption will normally be done with the current key but would be done with the new key during datacopy when the user wants to change over to a new key.

Communication is through a request and acknowledge protocol. The receiver sends a request for data, along with the address of a sector. The server acknowledges
20 the request and provides data. Both the Ack and Req can be pulled low to stall the flow. The receiver asserts a sector frame signal until it has received all the data.

Preferably, requests to the encryption module 316 will always be a perfect multiple of the encryption module packet size of 128 bits. Preferably, it will be one
25 NAND sector, which is 512 bytes. Requests from the encryption module 316 will always be in the encryption module packet size.

Figure 4 illustrates the two different interfaces to the block, as well as the implementation of the encryption module 316 encryption and decryption algorithms in hardware. The main areas are the peripheral 402 and datapath 404 interfaces, key
30 expander 410, and individual encryption and decryption blocks. The peripheral bus preferably uses a dedicated write clock, which saves power over a scheme that simply

qualifies the high speed system clock. The dedicated read enable signal, and read data bus allow a simple OR of all the peripheral data return buses since they return zero when not selected.

The encryption module clock enable is set when a datapath request is in force or a peripheral operation is pending and held until the encryption module state machine 440 has found its way back to idle. The other clock-gating domain lies with the datapath request-acknowledge handshake scheme. The acknowledge can be used to either gate the clock to a register, or qualify that clock. Whoever is sending data in response to an acknowledge has this choice. In the encryption module design the clock is qualified.

The datapath keys are supplied and managed from the serial memory interface block 322. The encryption module block 316 is flanked on two sides by the read/write buffer (RWB) 212 and the error correction coding module. It follows that there must be input and output data buses to each of these blocks, along with the handshaking signals. Dataflow can be stalled by either Ack or Req going low, so to know that a datapath operation is incomplete, a sector frame signal is used to bracket the entire transaction. The sector address consists of address bit 9 and upwards. A four bit address runs in the opposite direction and is used to select a buffer bank within the RWB 212. The architecture consists of dedicated combinational logic for a round of encryption and a round of decryption. Their contents are similar in size and function, but they are inverses. A round_companion module 412 accepts plaintext input and works with either Round 420 or InvRound 422 iteratively to produce a result, which is latched in the multiplexer block 430 and is accessible in either peripheral or datapath mode.

Preferably, if both datapath and peripheral mode requests were to arrive simultaneously, the datapath request has priority. This is unlikely, and in general, whatever operation is ongoing is allowed to finish. A peripheral operation is short while a datapath operation consists of 32 encryption module implementations. If one type of operation is requested while another is in progress, the request is queued. The queuing realistically assumes that a second operation of the same type will not or

cannot be requested. It is possible that a peripheral mode operation will take just 11 or 23 clocks to complete, or be held off for one full datapath time, so pending, ongoing and completed status are provided. A datapath launch becomes pending when the 8th halfword arrives, while a peripheral launch becomes pending when the 8th halfword location is written.

As illustrated in Figure 12, encryption of data to be written to NAND 116 takes 11 clocks while decryption takes 23 clocks. The discrepancy arises because the key is expanded to 11 unique keys and the order in which they are generated matches the requirement for them during encryption, but is in the opposite order to the sequence needed for decryption. This means they must be pre-expanded into a dual-port register file, taking 11 clocks. The register file's output is clocked so there is a clock cycle handoff time between the end of writing and the start of reading. Total decryption time is 11 clocks for expansion plus 1 clock handoff, and finally 11 clocks for actual decryption. Thus, referring to Figure 22, preferably encryption by the encryption module 316 first retrieves the encryption key 650; identifies the 1st through nth sectors of data to be encrypted 660, then generates the 1st through nth unique keys based on the location of the data sectors, then encrypts the n data sectors using the n unique keys. When the same data is to be decrypted, as shown in Figure 23, once a decryption request is received 700, the address of each of the sectors to be decrypted is identified 710, and the 1st through nth unique keys to be used for decryption are generated as above based on the location of the data sectors 720 before decrypting the n data sectors 730. Most preferably, the step of generating the unique key 720 includes the step of expanding the unique keys to a dual-port register file, or otherwise reordering the unique keys to the order needed to accomplish decryption.

PseudoCode for the Encryption Module Peripheral Mode is as follows:

```

define false = 0x0;
define Manual = 0b1; // Manual ENCRYPTION MODULE launch
define Auto = 0b0; // Auto ENCRYPTION MODULE launch
define le_not_be = 0b10; // If the processor splits a word write into two
halfword writes, with le_not_be

```

```

// set the halfword write to the upper address (vs. lower address) will be
    the one
// that causes launch. Make your choice such that this is the last write.
define d_not_e = 0b100; // decryption.
5   define peri_enable = 0b1000; // Enable the clock while you use the
    ENCRYPTION MODULE or expect nothing.
define key = 0x000102030405060708090a0b0c0d0e0f;
define plain = 0x00112233445566778899aabbccddeeff;
define cipher = 0x69c4e0d86a7b0430d8cdb78070b4c55a;
10  // <>< Manual Launch ><
Configure_encryption module_control_reg(Manual | le_not_be |
    d_not_e | peri_enable, ENCRYPTION MODULEbase+0x18);
Load_encryption module_plain_reg(cipher, ENCRYPTION
    MODULEbase+0x0); // ENCRYPTION MODULE input data
15  (encryption or decryption) always goes in the
    // plain register
Load_encryption module_key_reg(key, ENCRYPTION
    MODULEbase+0x10);
Launch_manual(ENCRYPTION MODULEbase+0x1a);
20  while (get_status(ENCRYPTION
    MODULEbase+0x19)&0x4)==false);
plain = retrieve_cipher(ENCRYPTION MODULEbase+0x8);
// <>< Auto Launch ><
Configure_encryption module_control_reg(Auto | le_not_be | d_not_e |
25  peri_enable, ENCRYPTION MODULEbase+0x18);
Load_encryption module_key_reg(key, ENCRYPTION
    MODULEbase+0x10);
Load_encryption module_plain_reg(cipher, ENCRYPTION
    MODULEbase+0x0); // eighth halfword write causes encryption
30  module to launch.
while (get_status(ENCRYPTION
    MODULEbase+0x19)&0x4)==false);

```

```
plain = retrieve_cipher(ENCRYPTION MODULEbase+0x8);
```

The datapath mode is more involved but has some simple governing rules. Communication is through a request and acknowledge protocol as shown in Figure 4. The requesting block has a known amount of data to send, and the acknowledgement
5 block 406 uses acknowledge to gate the sender's data and thus regulate the data flow.

Preferably, eight clocks are needed to assemble an encryption module packet before the encryption module 316 can proceed. It also takes eight clocks to send off the result. When a request to the encryption module 316 is received, the data is always read in without stalling, and the encryption module algorithm proceeds as far as it can
10 before it would overwrite an old result, which has not yet been fully sent off. In short, any stalling is governed by the sending rather than the receiving. This simplifies the logic and allows the process to proceed as far as it possibly can before it needs to stall. If NAND $T_{wc}=70ns$ minimum (14Mhz) and the encryption module is run at 52Mhz, the ratio is 1:4 if the word width is 16 bits. Thus, in this embodiment, the encryption
15 module 316 should not present a bottleneck.

The user is able to access the serial EEPROM controller module 322 through the configuration bus interface, as shown in Figure 2. The configuration bus is controllable from the MCU interface control 304, and from the JTAG interface. When the JTAG interface is used, the ENTER_DEBUG command is permitted, and
20 changing of DIS_ENCRYPT in SEC_CTRL is prohibited.

Referring to Figures 13 and 14, in the preferred embodiment the serial EEPROM controller module 322 comprises a version control register, a password register, and a key seed register such as those set out in Figures 18, 19, and 20 for use in command execution. The following commands can be executed in the operation of
25 the serial EEPROM controller module 322 described above, using the registers set out in Figure 15.

The GET_KEY command 502 is issued when $CMD[2:0] = "000"$ is written to the SEC-CTRL register. This command retrieves the current key 458 and

password 456 set from the EEPROM 334. The key and password set is determined by KEY_SELECT[1:0] found in the SEC-CTRL register.

The COMPARE_KEYS command 504 is issued when CMD[2:0] = "001" is written to the SEC-CTRL register. This command provides the results of two
5 comparisons. It compares the current password 456 with the test password 464 using the password compare block 460, and it compares the current key 458 with the previously written key 464 using the key compare block 461. The results are provided in the SEC-STATUS register.

The ADD_KEY command 506 is issued when CMD[2:0] = "010" is written to the
10 SEC-CTRL register. This command forms the new key 470 from the current password 456, current key 458, and the software supplied key seed 462. This new key 470 can be used in the datacopy operations. A new password is also supplied by software and will come into effect when the UPDATE command is executed. The current key 458 and current password 456 are retrieved with
15 the GET_KEY command.

The REMOVE_KEY command 510 is issued when CMD[2:0] = "011" is written to the SEC-CTRL register. This command transitions to the Remove key state where the datacopy can be completed.

The CHANGE_KEY command 512 is issued when CMD[2:0] = "100" is written to
20 the SEC-CTRL register. This command forms the new key 470 from the current password 456, current key 458, and a software supplied key seed 462. This new key can be used in the datacopy operations. A new password is also supplied by software and will come into effect when the UPDATE command is executed. The current key 458 and current password 456 are retrieved with
25 the GET_KEY command. Reading the SEC_STATUS register provides the current key state status.

The UPDATE_KEY command 508 is issued when CMD[2:0] = "101" is written to the SEC-CTRL register. The generated key 470 and new password are written into EEPROM 334 at the KEY_SELECT location.

The ENTER_DEBUG command 514 is issued when $CMD[2:0] = "110"$ is written to the SEC-CTRL register. This command must be executed from the JTAG interface. It transitions control to either the Insecure Debug state (through Clear SDRAM) or to the Secure Debug state. The ENTER_DEBUG command is issued when $CMD[2:0] = "111"$ is written to the SEC-CTRL register. This command transitions control to the Insecure state.

The following states are possible in the operation of the serial EEPROM controller 322 described above, with reference to the state diagram of Figure 14:

Insecure 519: The device 10 is powered up in the Insecure state. In this state, a password is not required, and a key is not used to read and write data to NAND flash 116.

Clear SDRAM 515: This state asserts the CLEAR_SDRAM signal for the SDRAM interface controller 300. Transfer to the Insecure Debug state 513 will be completed upon receiving the SDRAM_CLEAR signal from the SDRAM interface controller 300. Clearing the SDRAM 118 prohibits the use of JTAG to read the contents of the SDRAM 118 in Debug mode.

Insecure Debug 513: This state asserts the DEBUG_EN signal, allowing the memory interface controller 200's debug functions with the encryption module 316 in bypass mode. Executing the EXIT_DEBUG command will transition control to the Insecure state 500.

Get Key 509: This state is entered with the Get_Key command 502. The password and key set is read from the EEPROM 334. If successful, the current key and current password are updated and control is transferred to the Key Loaded state 508. Control will be transferred back to the Insecure state 519 if the EEPROM 334 is busy writing, or if an error is encountered.

Key Loaded 511: This state is entered upon the successful read of the key and password from the EEPROM 334. A key comparison can be made by loading

the compare keys commands, or a new key can be created by loading the add key command.

5 Compare 521: In this state, the current password is compared with the test password, and the current key is compared with the key written. Results are available upon completion. If the passwords match, control will be transferred to the Secure state 512. If the passwords did not match, control will be transferred back to the Insecure state 500.

10 Add Key 525: In this state, software can read in unencrypted data and write back using the newly generated encryption key. Since reading is done in bypass mode, all previously stored encrypted data is lost. Once the data copy operation is complete, the UPDATE_KEY command 508 is used to write the new key and password to the EEPROM 334. The Insecure state 519 is entered on completion.

15 Remove Key 511: The REMOVE_KEY command allows software to read encrypted data with the current key, and to write data back with no key. Once the data transfer is complete, the UPDATE_KEY command 508 is executed to write the new key into EEPROM 334.

20 Change Key 527: The CHANGE_KEY command allows software to read encrypted data with the current key, and to write data back with the new key. Once the data transfer is complete, the UPDATE_KEY command 508 is executed to write the new key into EEPROM 334.

Update Key 529: This state is entered with the Update command 508. The new password and newly form key are written to the EEPROM 334. On completion, control is transferred to the Insecure state 519.

25 Secure 523: In the Secure state, encrypted data is written to and read from NAND flash using the current key. In this mode, the COMPARE command must be executed. If the passwords match, the Validate state will 531 be entered. If the passwords do not match, the Insecure state 519 is entered.

Compare2: This state is entered from the Secure state 523. In this state, the current password is compared with the test password, and the current key is compared with the key written. Results are available upon completion. If the passwords match, control will be transferred to the Validate state 531. If the passwords
5 did not match, control will be transferred back to the Insecure state 519.

Validate 531: This state ensures that a valid password is present prior to allowing the change of a key, the removal of a key, or the debugging with keys.

Secure Debug 517: This state asserts the DEBUG_EN signal, allowing the memory controller interface's debug functions with the encryption module 316
10 operational. Executing the EXIT_DEBUG command will transition control to the Insecure state 519.

Preferably the software supplied key seed 462, which is used in generating a new key 470, is created using a randomizing function, a random seed, or using data gathered from random sources, such as key hits. In the preferred embodiment, the
15 new key 470 thus generated from the key seed 462, current password 456, and current key 458, is a bitwise XOR of the current key and key seed (via XOR 452) and of the current password (via XOR 454). Thus, the initially unknown encryption key embedded during manufacturing, as well as the initial password used to secure the device, is used to derive all future encryption keys, without any need for the user or
20 manufacturer to know the value of the initial encryption key. If passwords for the communication device are set by the user rather than by software, it does not matter if a user chooses a weak password. The use of the key seed 462 and the current key 458 ensure that the newly generated encryption key is sufficiently strong, and not determinable from a user-chosen password. Further, new keys can be formulated by
25 modifying the key seed. Bits can be inverted by seeding a bit position with a logic 1. At no time is the actual key known by software; only the comparison results from the compare block 461. Once the encryption key has been changed using the CHANGE_KEY command 512, the data encrypted using the previous ("current")

EEPROM testing is accommodated with the use of the current key, the key
30 written, and the key compare block. A key can be generated and written into the

EEPROM 334. This key can be read out and compared with the key written using the COMPARE command and monitoring using the KEY_STATUS[1:0] found in the SEC-STATUS register.

5 Various embodiments of the system having been thus described in detail by way of example, it will be apparent to those skilled in the art that variations and modifications may be made without departing from the invention.

Claims:

1. A method of encryption key management, comprising:
 - decrypting data encrypted using a first encryption key and stored in a memory device, the first key being derived from a current key and a memory address of the encrypted data to be decrypted;
 - generating a new key from the current key, a stored password, and a key seed value;
 - re-encrypting, using a second encryption key, the data thus decrypted, the second encryption key being derived from the new key and a memory address where the re-encrypted data is to be stored;
 - storing the re-encrypted data in the memory device at said memory address where the re-encrypted data is to be stored; and
 - overwriting the current key with the new key.
2. The method of claim 1, wherein the current key is derived from an inherently unknown value.
3. The method of either claim 1 or claim 2, wherein the new key is generated using a bitwise XOR of the current key, the stored password, and the key seed value.
4. The method of any one of claims 1 to 3, wherein generating the new key, decrypting data encrypted using the first encryption key, re-encrypting the data, and overwriting the current key with the new key are executed upon authorization by a password verification step in which an authorization password is compared to the stored password, such that authorization requires that the authorization password matches the stored password.
5. The method of any one of claims 1 to 4, further comprising verifying the new key after overwriting the current key.
6. The method of any one of claims 1 to 5, further comprising overwriting the stored password with a new password.

7. The method any one of claims 1 to 6, wherein the current key and the new key are stored in non-volatile memory inaccessible by software, and decrypting and re-encrypting data is accomplished using a hardware implementation of a decryption and an encryption algorithm.
8. A computer program product storing a computer-readable medium storing code which, when executed by a processor of a computing device, causes said device to carry out the method of any one of claims 1 to 6.
9. A module for managing encryption keys in a data processing device, the module comprising:
 - a password register for storing a password ;
 - a current key register for storing a current key ;
 - a key seed input for incorporating a key seed value from a random key seed generator;
 - a new key generation block for generating a new key from the password, current key, and key seed value, the module further comprising:
 - an encryption/decryption module for decrypting any data encrypted using the current key, and encrypting the data using the new key generated by the new key generation block once a new key is generated, the encryption/decryption module being configured to decrypt data by identifying an address in memory of the data to be decrypted, generating at least one unique decryption key derived from the current key and the address of the data to be decrypted, and decrypting the data using the at least one unique decryption key; and is further configured to encrypt data by generating at least one unique encryption key derived from the new key and an address where the data is to be stored in encrypted form, and encrypting the data using the at least one unique encryption key.
10. The module of claim 9, further comprising a password compare block for receiving an authorization password and verifying that the authorization password matches the password stored in the password register before generating a new key from the password, current key, and key seed value.

11. The module of claim 9 or claim 10, wherein the new key generation block comprises at least one XOR block for combining the password, current key, and key seed value to generate a new key.
12. The module of any one of claims 9 to 11, further comprising a block for writing the new key to the current key register, and a key compare block for comparing the new key with the content of the current key register.
13. The module of any one of claims 9 to 12, wherein the encryption/decryption module comprises a hardware implementation of an encryption/decryption algorithm.
14. A hand-held data processing device comprising a module as claimed in any one of claims 9 to 13.
15. A memory controller interface configured to manage encryption keys, comprising:
 - a password register configured to store a password;
 - a current key register configured to store a current key;
 - a key seed input configured to incorporate a key seed value from a random key seed generator;
 - a key generation block configured to generate a new key from the password, the current key, and the key seed value; wherein the key generation block is further configured to generate a first encryption key from the current key and a memory address of encrypted data to be decrypted using the first encryption key; and wherein the key generation block is further configured to generate a second encryption key from the new key and a memory address where data decrypted using the first encryption key and re-encrypted with the second encryption key is to be stored; and
 - an encryption/decryption module configured to carry out decryption and encryption of data.
16. The memory controller interface of claim 15, further comprising a password

compare block configured to receive an authorization password and to verify that the authorization password matches the password stored in the password register before generating the new key from the password, current key, and key seed value.

17. The memory controller interface of either claim 15 or 16, wherein the key generation block comprises at least one XOR block adapted to combine the password, current key, and key seed value to generate the new key.

18. The memory controller interface of any one of claims 15 to 17, wherein the key generation block is configured to, for each of a plurality of data stored at a discrete memory location, derive the first encryption key from the current key and a memory address of the discrete memory location corresponding to the datum, and derive the second encryption key from the new key and a memory address of a further discrete memory location where the re-encrypted datum is to be stored, such that the first encryption key is different for each datum and the second encryption key is different for each datum.

19. The memory controller interface of any one of claims 15 to 18, further comprising a block configured to write the new key to the current key register, and a key compare block adapted to compare the new key with content of the current key register.

20. The memory controller interface of any one of claims 15 to 19, wherein the encryption/decryption module comprises a hardware implementation of an encryption/decryption algorithm.

21. A data processing device comprising the memory controller interface of any one of claims 15 to 20.

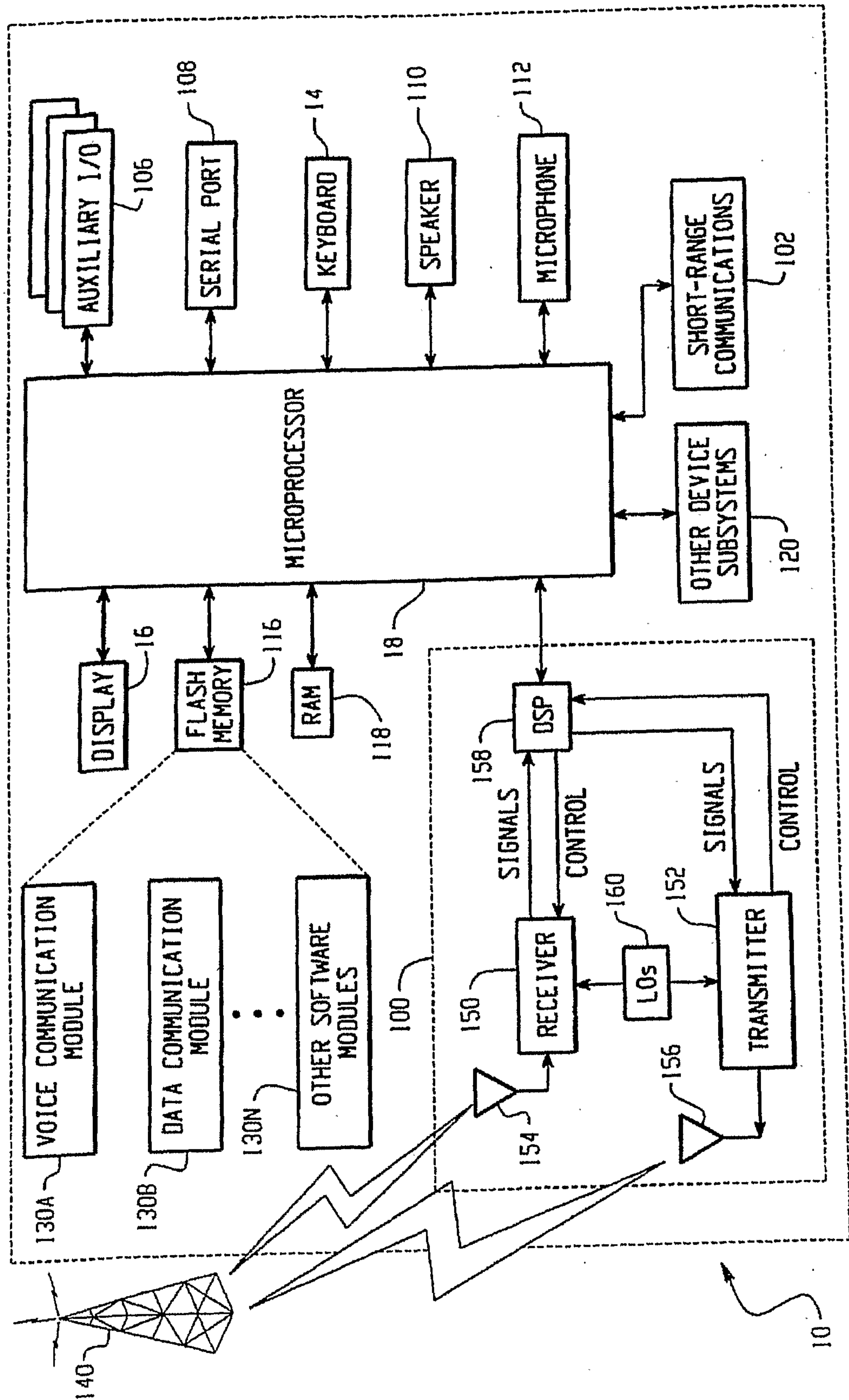


FIG. 1

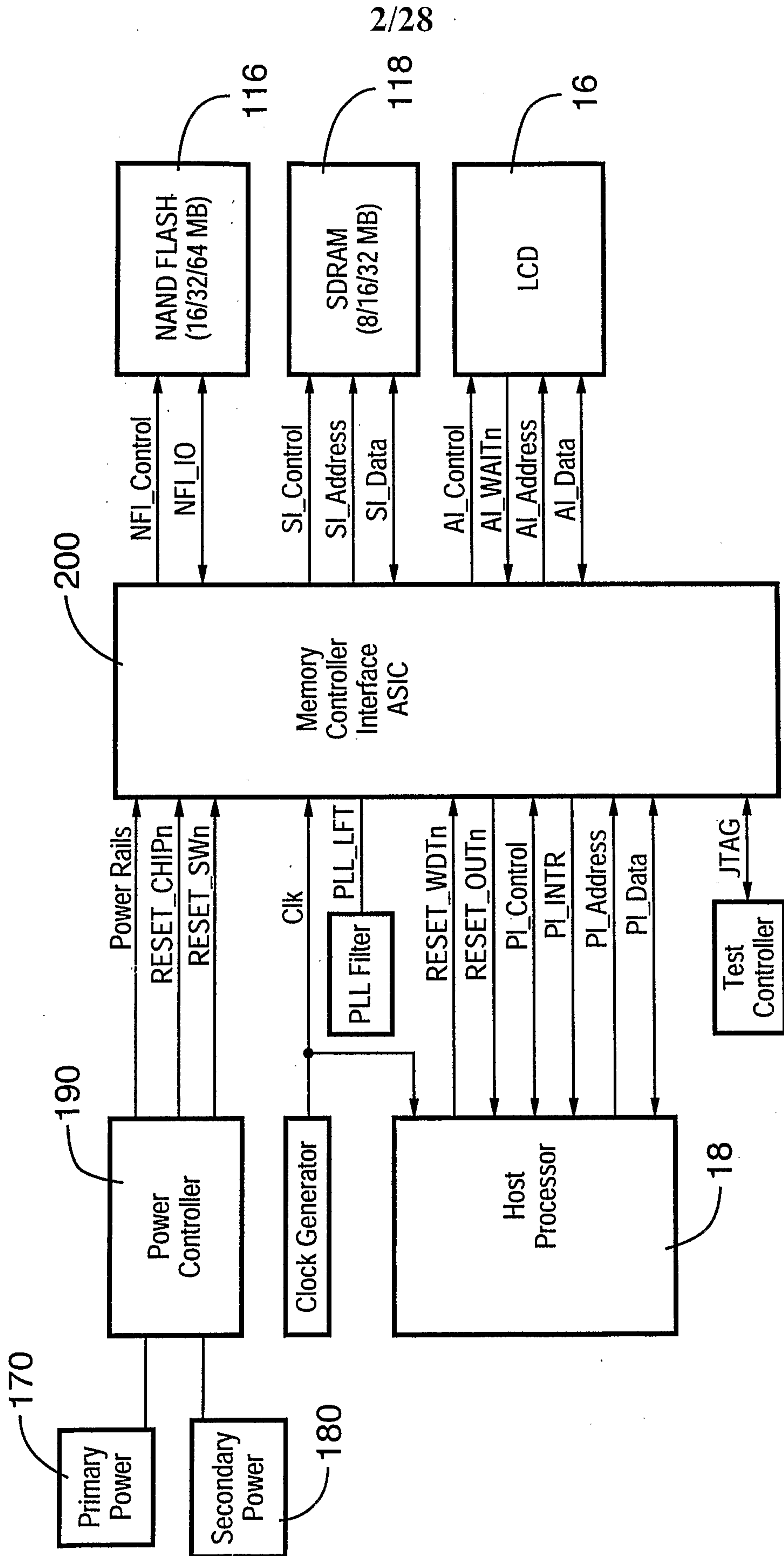


FIG.2

3/28

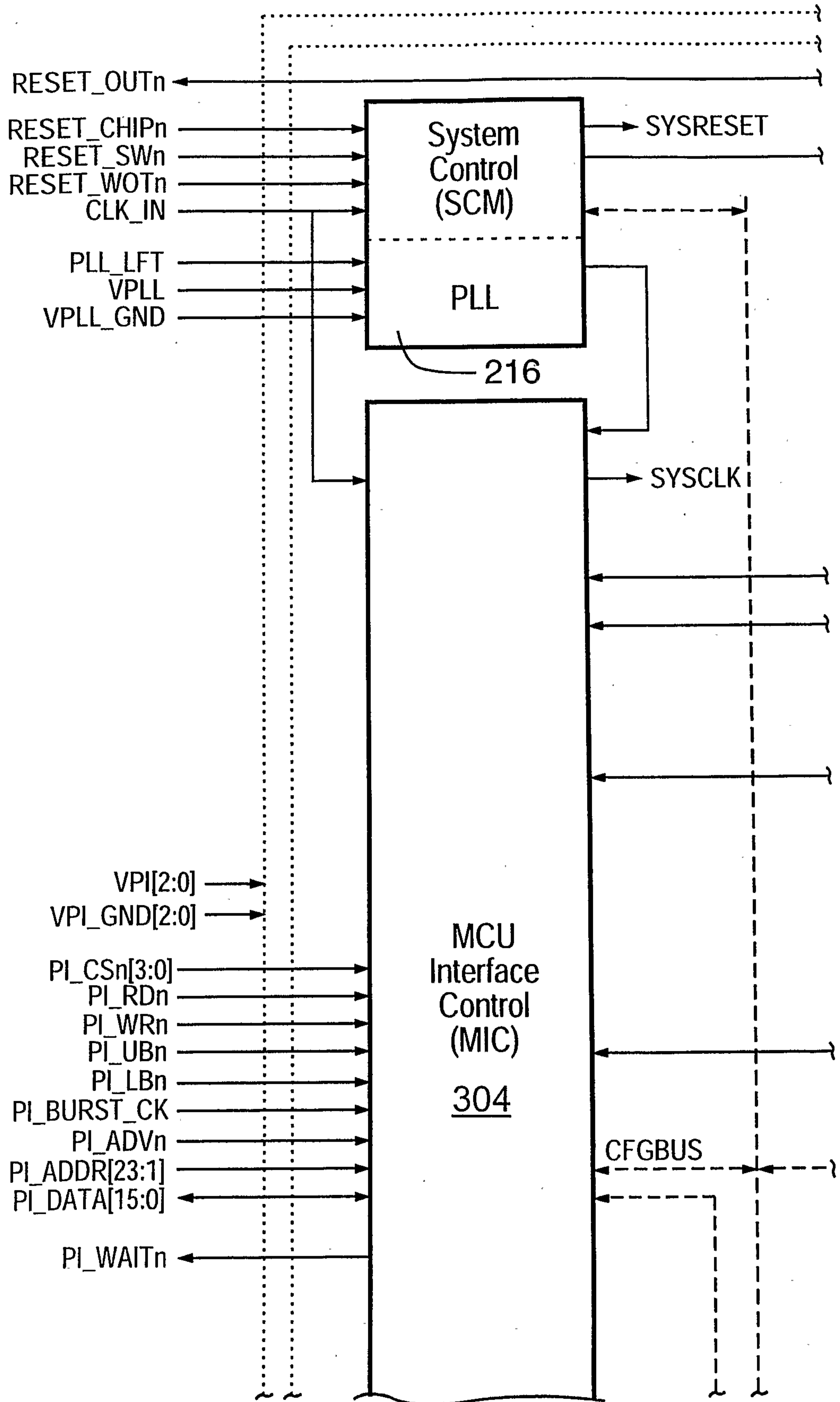


FIG.3A

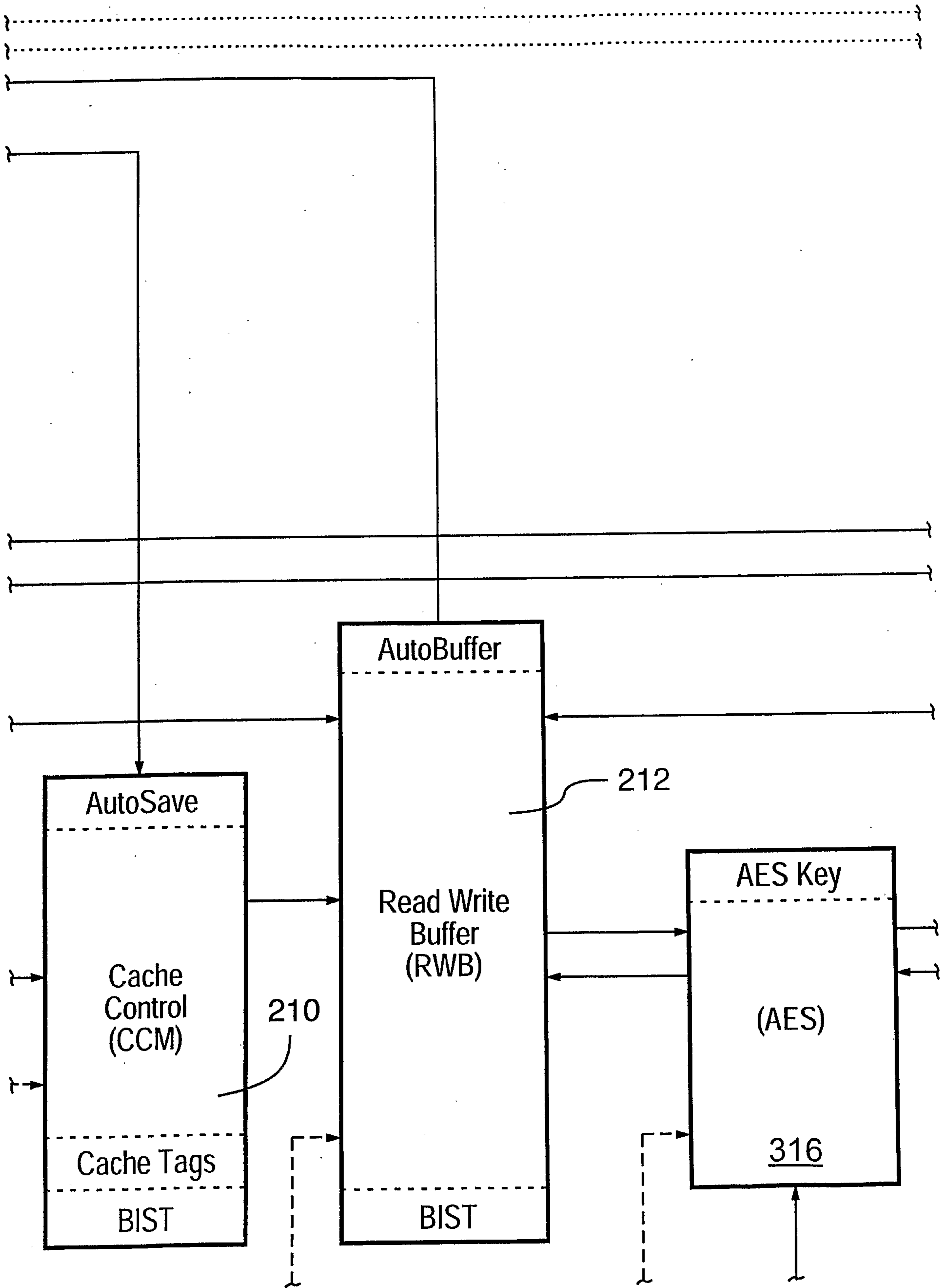


FIG.3B

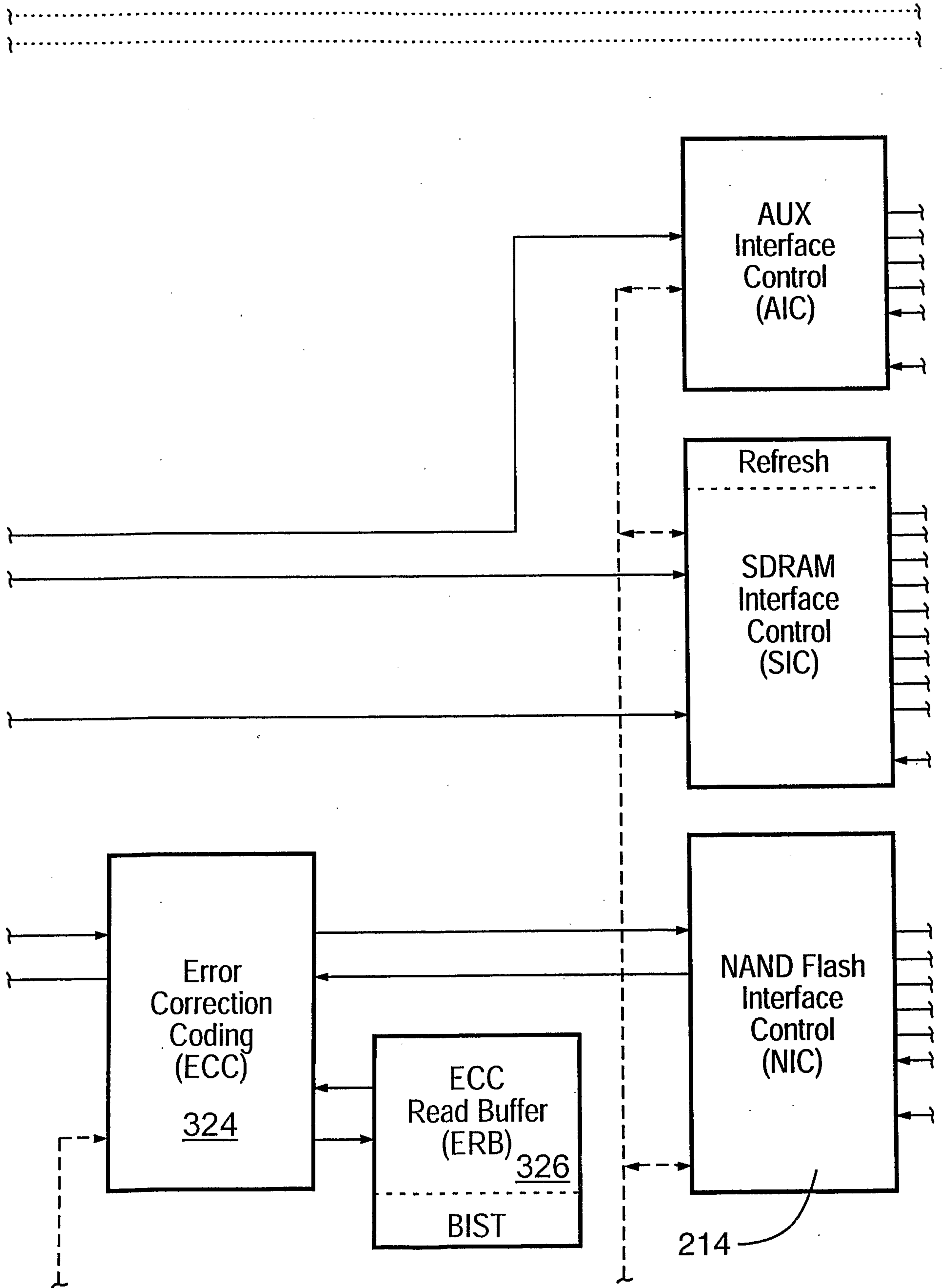


FIG.3C

6/28

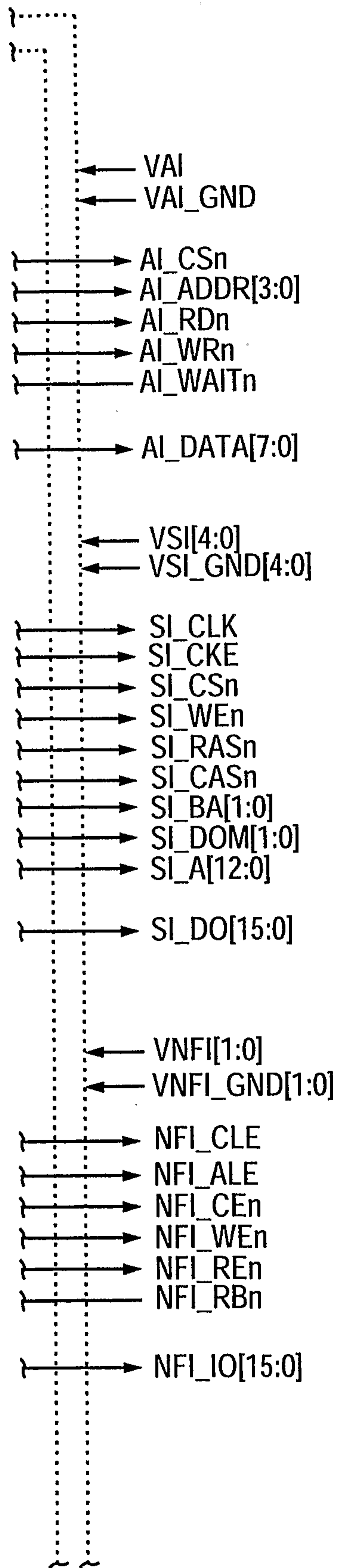


FIG.3D

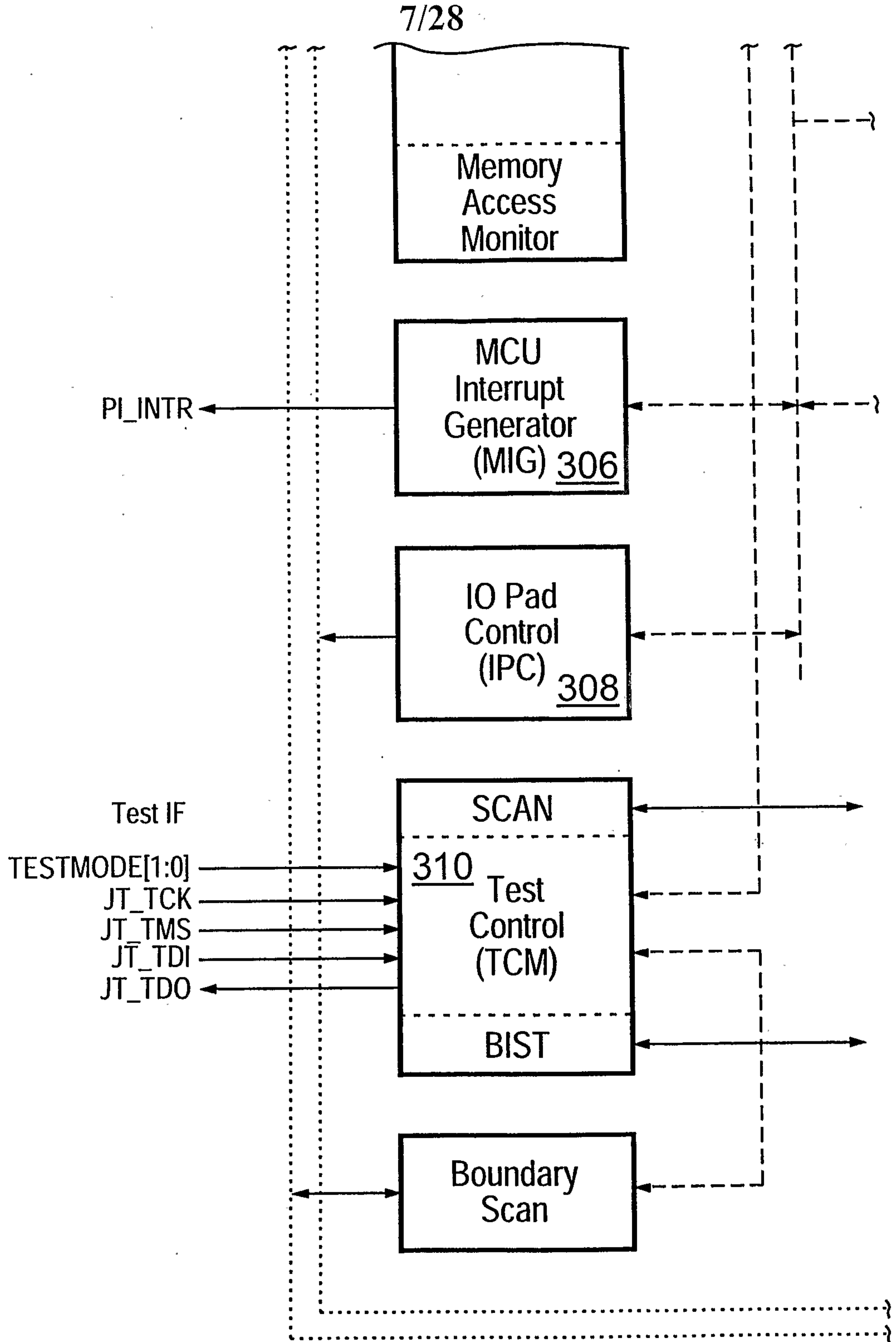


FIG.3E

8/28

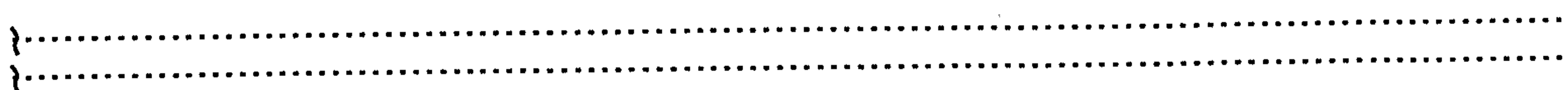
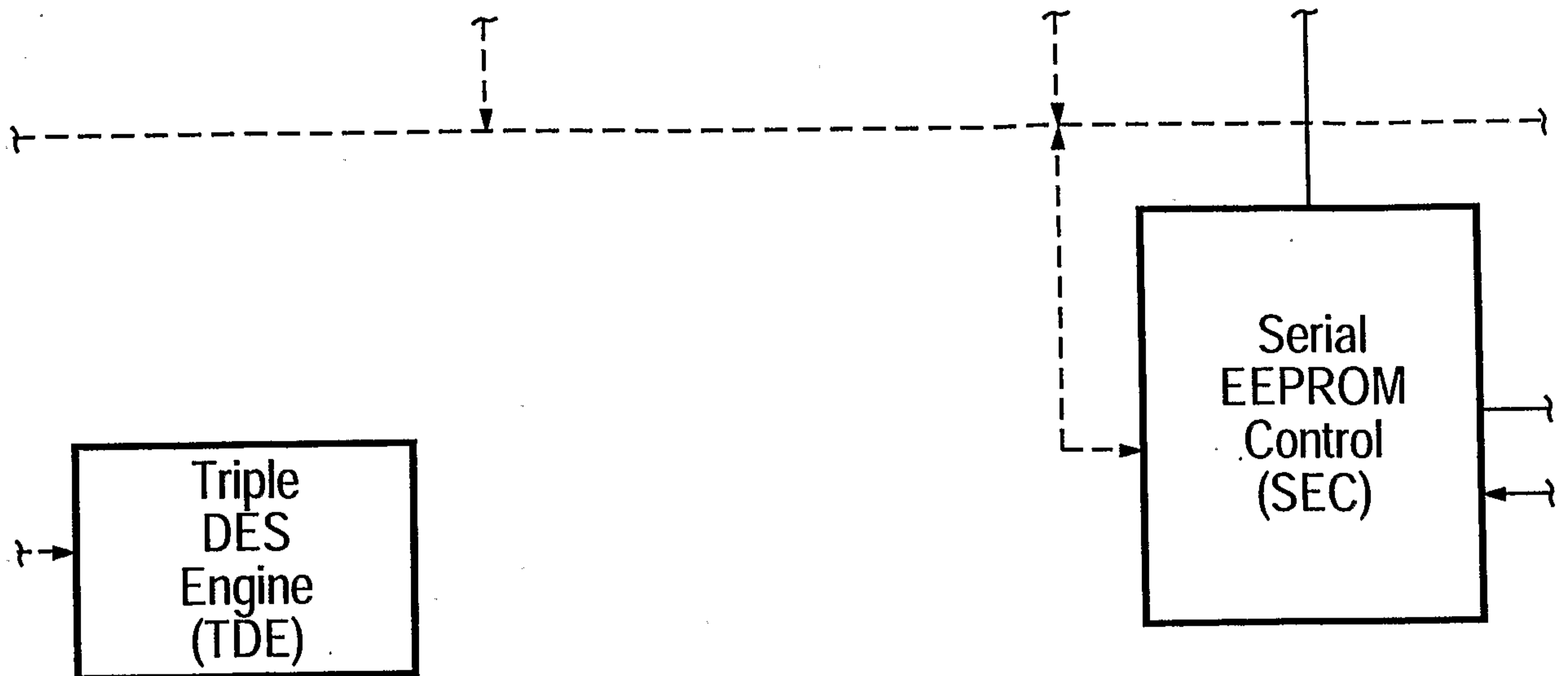


FIG.3F

9/28

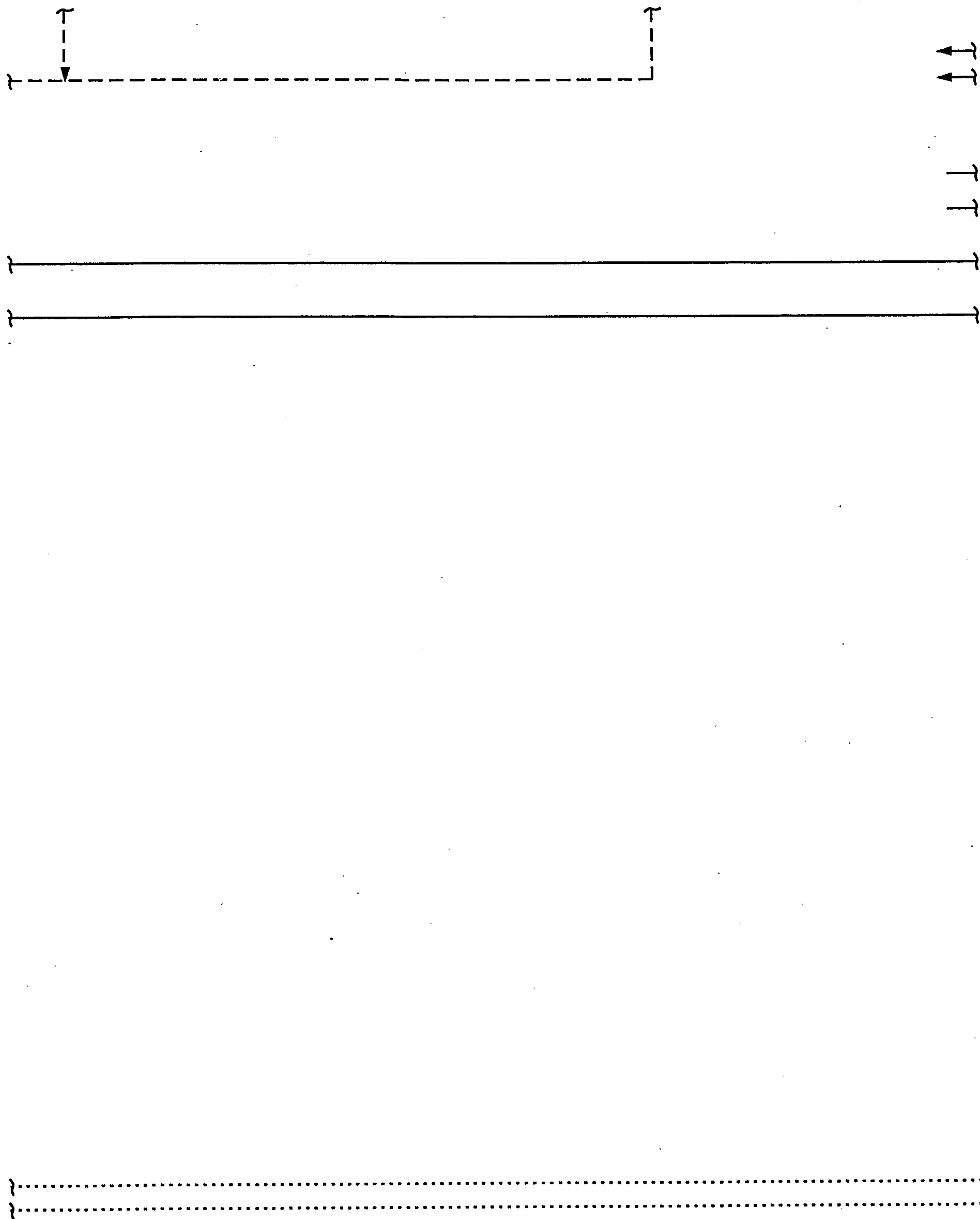


FIG.3G

10/28

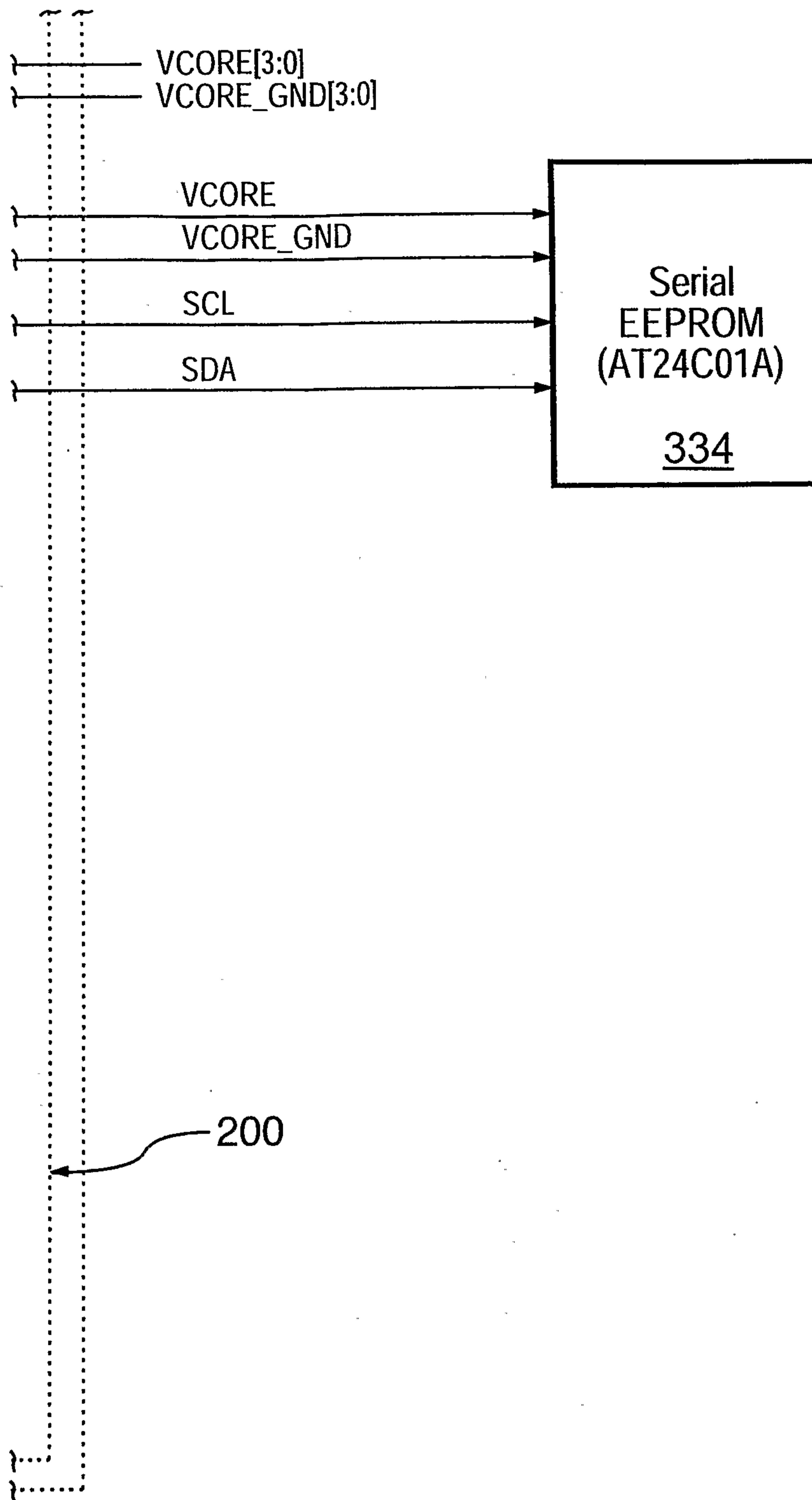


FIG.3H

FIG 3A	FIG 3B	FIG 3C	FIG 3D	FIG 3E	FIG 3F	FIG 3G	FIG 3H
--------	--------	--------	--------	--------	--------	--------	--------

FIG.3I

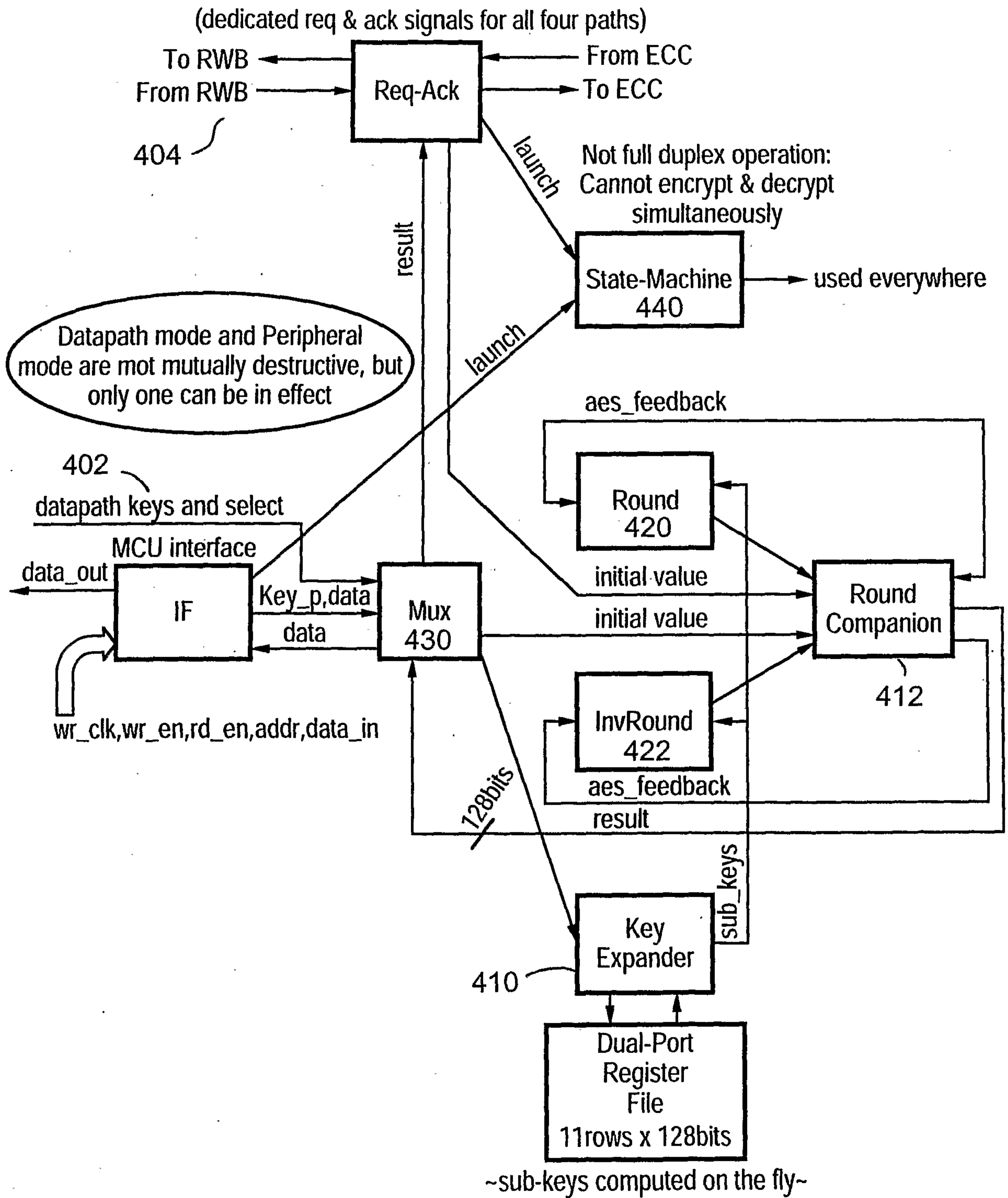


FIG. 4

13/28

Address Offset (1) MCU_ADDR[7:0]	NAME	Contents
0x00	AES_PLAIN	Plaintext Register Field
0x10	AES_CIPHER	Ciphertext Register Field
0x20	AES_KEY_PM	Key Peripheral Register Field
0x30	AES_MANUAL	Manual Launch Register
0x32	AES_STATUS	Status Register
0x34	AES_CR	Control Register

NOTES:

- (1) This Address Offset is added to the AES base address (AES_BASE) as define by the MIC in Table 5.2-29.

FIG. 5

AES Plaintext Register Field		Base Address: see Figure 5	
AES_PLAIN			
MCU_ADDR OFFSET	REG Mnemonic	REG Bits (D[15:0])	Reset State
0xE	AES_PLAIN7	AES_PLAIN[127:112]	0x0000
0xC	AES_PLAIN6	AES_PLAIN[111:96]	0x0000
0xA	AES_PLAIN5	AES_PLAIN[95:80]	0x0000
0x8	AES_PLAIN4	AES_PLAIN[79:64]	0x0000
0x6	AES_PLAIN3	AES_PLAIN[63:48]	0x0000
0x4	AES_PLAIN2	AES_PLAIN[47:32]	0x0000
0x2	AES_PLAIN1	AES_PLAIN[31:16]	0x0000
0x0	AES_PLAIN0	AES_PLAIN[15:0]	0x0000
Bit Mnemonic	Function		
AES_PLAIN[127:0]	Plain Text Register		

FIG. 6

AES Ciphertext Register Field			Base Address: see Figure 5
AES_CIPHER			
MCU_ADDR OFFSET	REG Mnemonic	REG Bits (D[15:0])	Reset State
0xE	AES_CIPHER7	AES_CIPHER[127:112]	0x0000
0xC	AES_CIPHER6	AES_CIPHER[111:96]	0x0000
0xA	AES_CIPHER5	AES_CIPHER[95:80]	0x0000
0x8	AES_CIPHER4	AES_CIPHER[79:64]	0x0000
0x6	AES_CIPHER3	AES_CIPHER[63:48]	0x0000
0x4	AES_CIPHER2	AES_CIPHER[47:32]	0x0000
0x2	AES_CIPHER1	AES_CIPHER[31:16]	0x0000
0x0	AES_CIPHER0	AES_CIPHER[15:0]	0x0000
Bit Mnemonic		Function	
AES_CIPHER[127:0]		Cipher Text Register	

FIG. 7

AES Key Peripheral Register Field			Base Address: see Figure 5
AES_KEY_PM			
MCU_ADDR OFFSET	REG Mnemonic	REG Bits (D[15:0])	Reset State
0xE	AES_KEY_PM7	AES_KEY_PM[127:112]	0x0000
0xC	AES_KEY_PM6	AES_KEY_PM[111:96]	0x0000
0xA	AES_KEY_PM5	AES_KEY_PM[95:80]	0x0000
0x8	AES_KEY_PM4	AES_KEY_PM[79:64]	0x0000
0x6	AES_KEY_PM3	AES_KEY_PM[63:48]	0x0000
0x4	AES_KEY_PM2	AES_KEY_PM[47:32]	0x0000
0x2	AES_KEY_PM1	AES_KEY_PM[31:16]	0x0000
0x0	AES_KEY_PM0	AES_KEY_PM[15:0]	0x0000
Bit Mnemonic		Function	
AES_KEY_PM[127:0]		Key Peripheral Register	

FIG. 8

15/28

AES Manual Register		Address:	see Figure 5				
AES_MANUAL		Reset State:	0x0000				
Read/Write		Access:	16 bit				
15	14	13	12	11	10	9	8
N/A							
7	6	5	4	3	2	1	0
N/A							
Bit #	Bit Mnemonic	Function					
15:0	NA	(R) '0000 0000 0000 0000' (W) Any write to this register launches a peripheral operation when in manual mode. Manual mode is configured in AES_CR.					

FIG. 9

AES Status Register		Address:	see Figure 5					
AES_STATUS		Reset State:	0x0000					
Read		Access:	16 bit					
15	14	13	12	11	10	9	8	
N/A								
7	6	5	4	3	2	1	0	
N/A						PERI_DONE	PERI_UNDERWAY	LAUNCH_PERI_PENDING
Bit #	Bit Mnemonic	Function						
15:3	NA	(RO) '0000 0000 0000 0'						
2	PERI_DONE	'0' – The peripheral operation is in progress '1' – The peripheral operation is complete						
1	PERI_UNDERWAY	'0' – The peripheral operation is not in progress '1' – The peripheral operation is in progress						
0	LAUNCH_PERI_PENDING	'0' – A peripheral operation will not launch after datapath operation in progress. '1' – A peripheral operation will launch after datapath operation in progress.						

FIG. 10

16/28

AES Control Register								Address:	see Figure 5
AES_CR								Reset State:	0x0000
Read/Write								Access:	16 bit
15	14	13	12	11	10	9	8		
N/A									
7	6	5	4	3	2	1	0		
N/A				PERI_EN	D_NOT_E	LE_NOT_BE	MANUAL		
Bit #	Bit Mnemonic			Function					
15:4	NA			(RO) '0000 0000 0000'					
3	PERI_EN			'0' – AES controls gated clock. '1' – Gated clock is enabled.					
2	D_NOT_E			Peripheral mode direction '0' – decryption '1' – encryption					
1	LE_NOT_BE			Peripheral mode data format '0' – ??????? '1' – little endian halfword					
0	MANUAL			Launch mode '0' – auto peripheral operation launch mode '1' – manual launch mode. Writing anything to AES_MANUAL launches a peripheral operation.					

FIG. 11

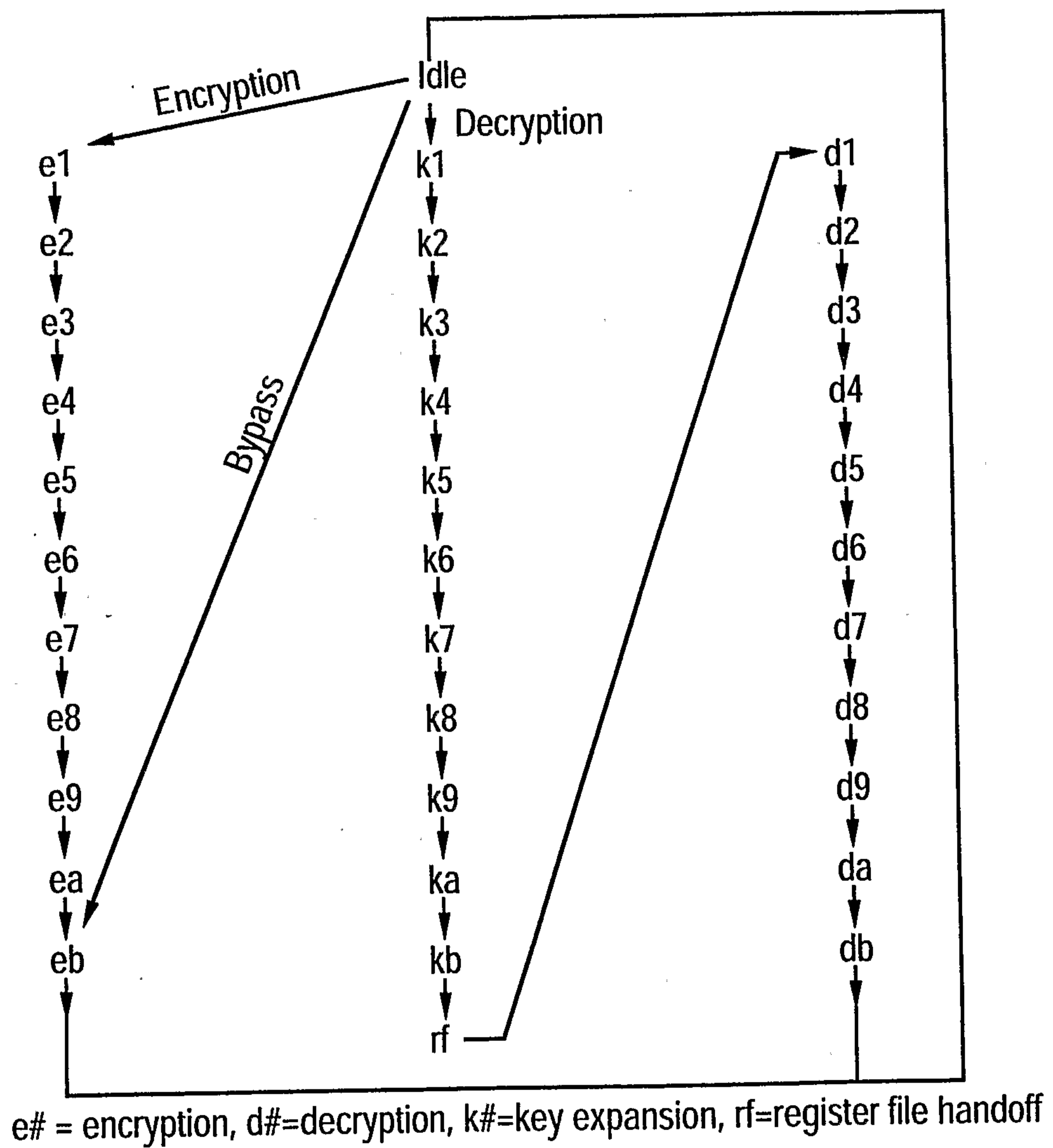


FIG.12

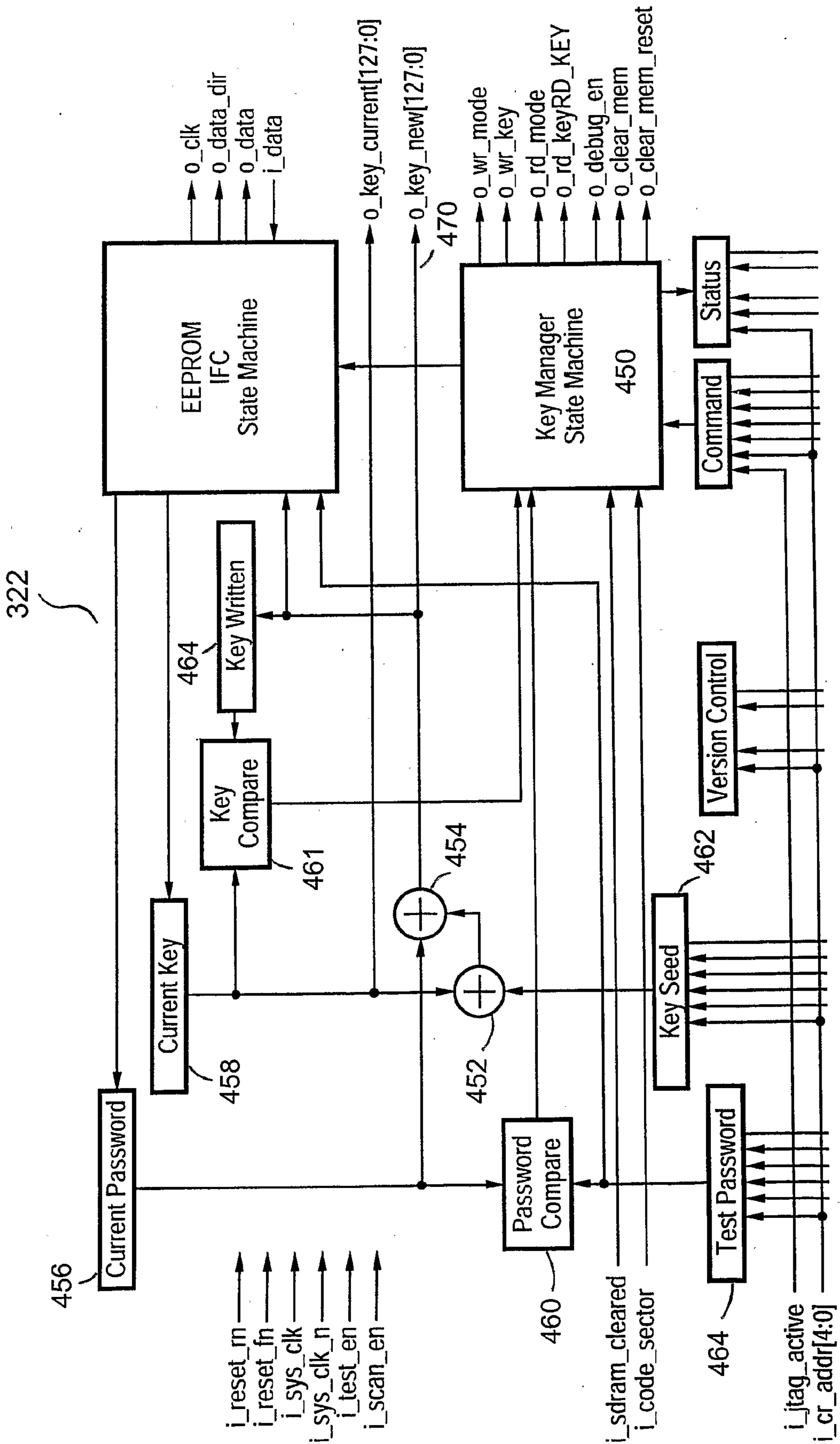


FIG.13

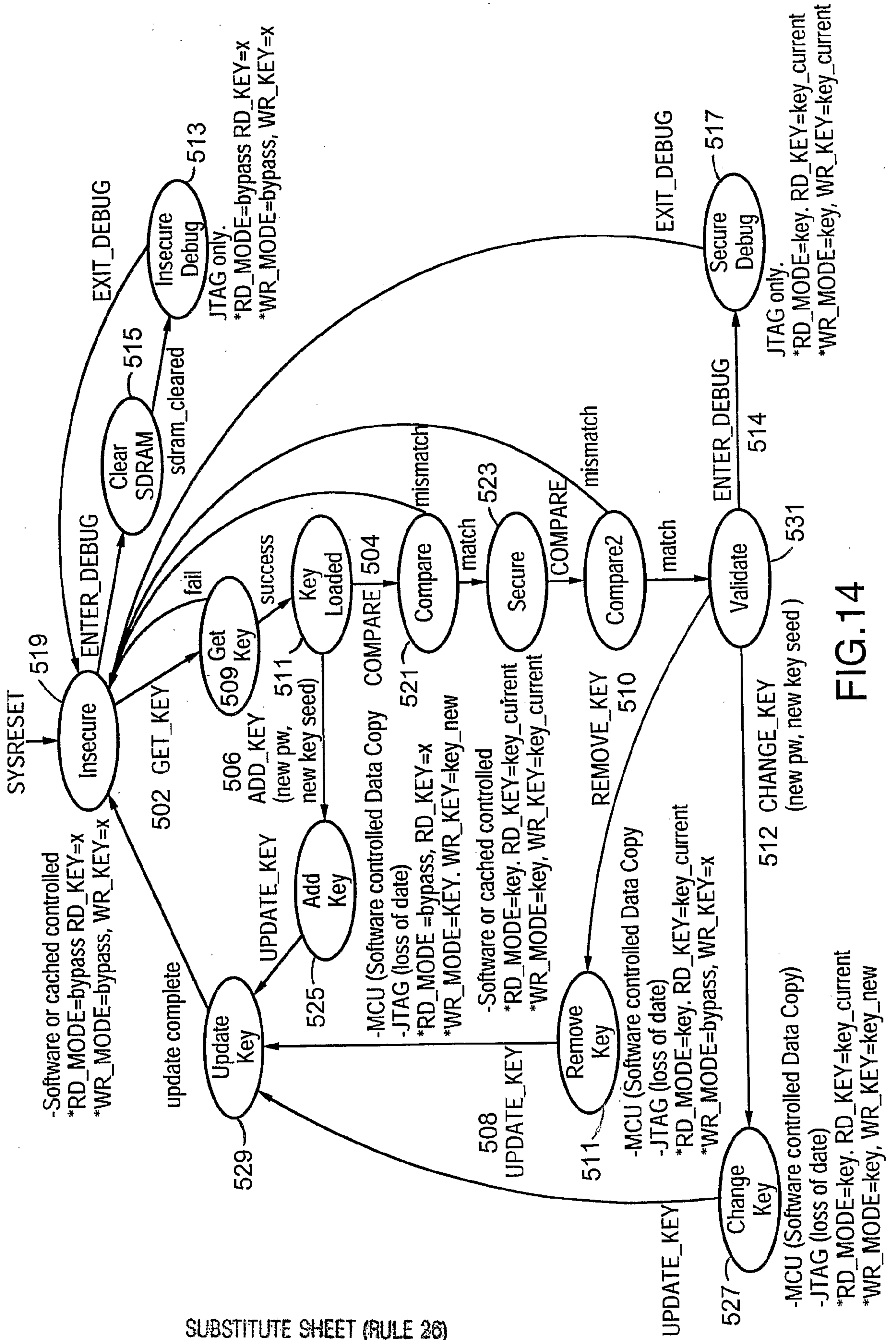


FIG. 14

20/28

Address Offset (1) MCU_ADDR[5:0]	NAME	Contents
0x00	SEC-CTRL	Control Register
0x02	SEC-STAT	Status Register
0x10	SEC-VER_CTRL	Version Control Register
0x20	SEC-PW	Password Register Field
0x30	SEC-KS	Key Seed Register Field

NOTES:

- (1) This Address Offset is added to the SEC base address (SEC_BASE) as define by the MIC in Table 5.2-29.

FIG. 15

21/28

SEC Control Register				Address:	see Figure 15			
SEC-CTRL				Reset State:	0x0000			
Read/Write				Access:	16 bit			
15	14	13	12	11	10	9	8	
N/A								
7	6	5	4	3	2	1	0	
FAST_IF	CLEAR_SDRAM	DIS_ENCRYPT	KEY_SELECT[1:0]		CMD[2:0]			
Bit #	Bit Mnemonic	Function						
15:8	N/A	(RO) '0000 0000'						
7	FAST_IF	Fast Interface (R/W) 0: Normal (EEPROM clock speed = sys_clk/1024) 1: Fast (EEPROM clock speed = sys_clk/8) Fast mode is provided for debug/test purposes only. EEPROM operation is not characterized at this speed.						
6	CLEAR_SDRAM	Clear SDRAM (R/W) 0: CLEAR_SDRAM signal to SIC is controlled by state machine. 1: CLEAR_SDRAM signal to SIC is asserted.						
5	DIS_ENCRYPT	Disable Encryption (R/W*) 0: Encryption and decryption is performed as per the current state. 1: Encryption and decryption is bypassed. This bit is only writeable when accessed from the processor interface.						
4:3	KEY_SELECT[1:0]	Key Select (R/W) 00 : Password and Key set 0 01 : Password and Key set 1 10 : Password and Key set 2 11 : Password and Key set 3						
2:0	CMD[2:0]	Key Command (R/W) 000: GET_KEY 001: COMPARE 010: ADD_KEY 011: REMOVE_KEY 100: CHANGE_KEY 101: UPDATE_KEY 110: ENTER_DEBUG 111: EXIT_DEBUG						

FIG. 16A

22/28

Bit #	Bit Mnemonic	Function
3:0	MODE{3:0}	Key Mode (RO) 0000 : Insecure 0001 : Clear_SDRAM 0010 : Insecure_Debug 0011 : Get_Key 0100 : Key_Loaded 0101 : Compare_Keys 0110 : Add_Key 0111 : Remove_Key 1000 : Change_Key 1001 : Update_Key 1010 : Secure 1011 : Compare_Keys2 1100 : Validate 1101 : Secure_Debug 1110 : not valid 1111 : not valid

FIG. 16B

23/28

SEC Status Register				Address: see Figure 15			
SEC-STAT				Reset State: 0x0000			
Read/Write				Access: 16 bit			
15	14	13	12	11	10	9	8
CMD_BUSY	EEPROM_BUSY	EEPROM_ERROR	N/A			SDRAM_CLEAR	
7	6	5	4	3	2	1	0
KEY_STAT[1:0]		PW_STAT[1:0]		MODE[3:0]			
Bit #	Bit Mnemonic	Function					
15	CMD_BUSY	Command Busy (RO) 0: not busy 1: busy This bit will be cleared when the current command has completed.					
14	EEPROM_BUSY	EEPROM Busy (RO) 0: not busy 1: busy, EEPROM device address was not acknowledged during GET_KEY This bit will be cleared upon writing to this register.					
13	EEPROM_ERROR	EEPROM Error (RO) 0: no error 1: error, EEPROM word address, or write data was not acknowledged or device address was not acknowledged after a 15 ms timeout. This bit will be cleared upon writing to this register.					
12:9	N/A	(RO) '0 000'					
8	SDRAM_CLEAR	SDRAM_CLEAR (RO) 0: SDRAM_CLEARED was not asserted. 1: SDRAM_CLEARED was asserted. This bit will be cleared upon writing to this register.					
7:6	KEY_STAT	Key Compare Status (RO) 00: no result 01: Key Match 10: Key Mismatch, or no old key had been loaded 11: Comparison being made					
5:4	PW_STAT	Password Compare Status (RO) 00: no result, password cleared 01: Password Valid 10: Password Invalid 11: Comparison being made					

FIG. 17A

24/28

Bit #	Bit Mnemonic	Function
3:0	MODE{3:0}	Key Mode (RO) 0000 : Insecure 0001 : Clear_SDRAM 0010 : Insecure_Debug 0011 : Get_Key 0100 : Key_Loaded 0101 : Compare_Keys 0110 : Add_Key 0111 : Remove_Key 1000 : Change_Key 1001 : Update_Key 1010 : Secure 1011 : Compare_Keys2 1100 : Validate 1101 : Secure_Debug 1110 : not valid 1111 : not valid

FIG. 17B

25/28

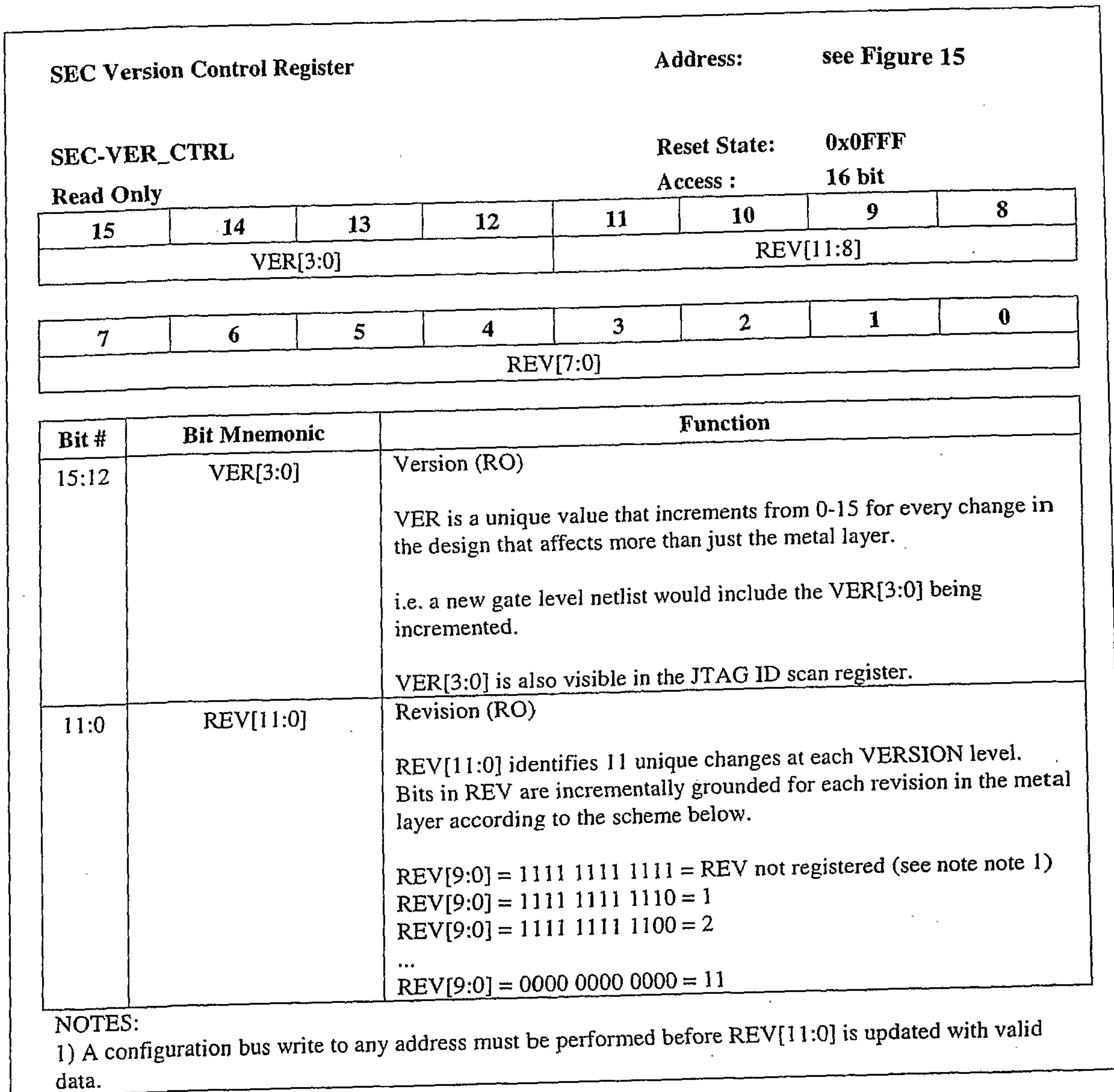


FIG. 18

26/28

SEC Password Register Field		Base Address: see Figure 15	
SEC-PW			
MCU_ ADDR OFFSET	REG Mnemonic	REG Bits (D[15:0])	Reset State
0xE	SEC-PW7	PW[127:112]	0x0000
0xC	SEC-PW6	PW[111:96]	0x0000
0xA	SEC-PW5	PW[95:80]	0x0000
0x8	SEC-PW4	PW[79:64]	0x0000
0x6	SEC-PW3	PW[63:48]	0x0000
0x4	SEC-PW2	PW[47:32]	0x0000
0x2	SEC-PW1	PW[31:16]	0x0000
0x0	SEC-PW0	PW[15:0]	0x0000
Bit Mnemonic	Function		
PW[127:0]	Password (W only) This field contains the password that is used for comparison purposes, and for the password that is linked with a new encryption keys. The full password must be entered while in Key_Loaded, Secure, or the Validate states in order to execute the ADD_KEY, REMOVE_KEY, CHANGE_KEY, or COMPARE commands. Otherwise, transition from those states is prohibited.		

FIG. 19

27/28

SEC Key Seed Register Field		Base Address: see Figure 15	
SEC-KS			
MCU_ADDR OFFSET	REG Mnemonic	REG Bits (D[15:0])	Reset State
0xE	SEC-KS7	KS[127:112]	0x0000
0xC	SEC-KS6	KS[111:96]	0x0000
0xA	SEC-KS5	KS[95:80]	0x0000
0x8	SEC-KS4	KS[79:64]	0x0000
0x6	SEC-KS3	KS[63:48]	0x0000
0x4	SEC-KS2	KS[47:32]	0x0000
0x2	SEC-KS1	KS[31:16]	0x0000
0x0	SEC-KS0	KS[15:0]	0x0000
Bit Mnemonic	Function		
KS[127:0]	Key Seed (W only) This field contains the key seed which XOR with the current key and current password to obtain a new key.		

FIG. 20

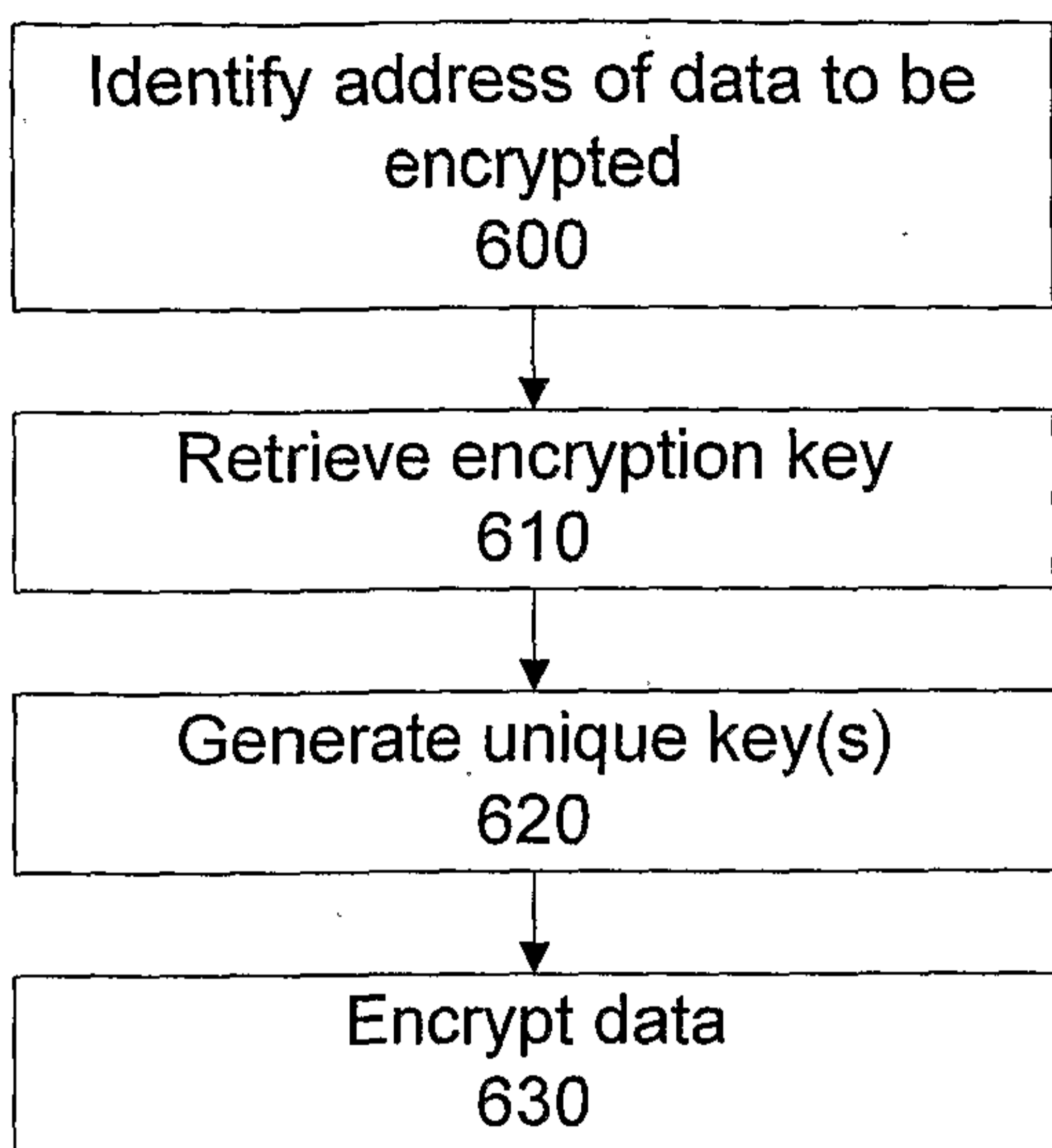


FIG. 21

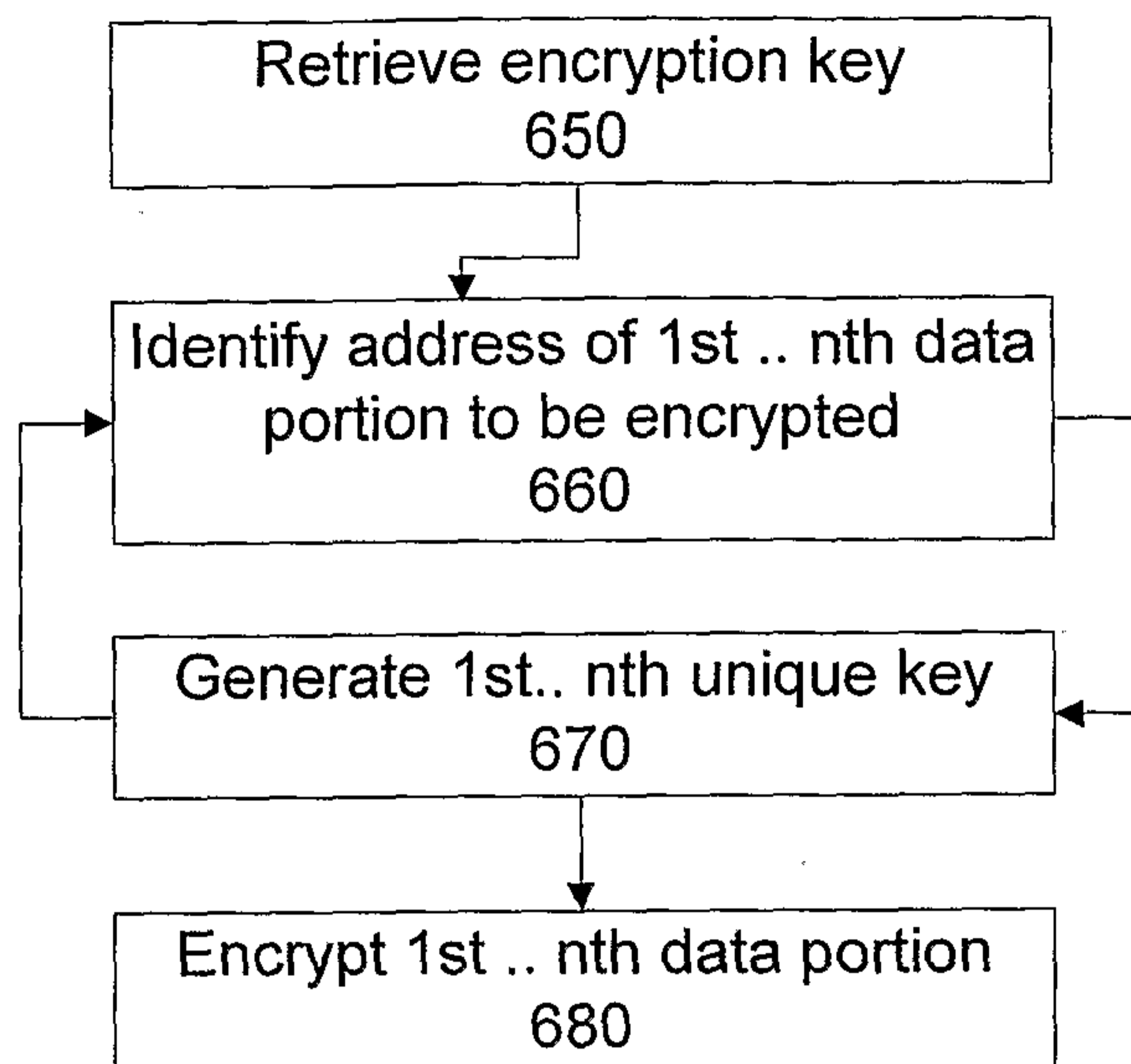


FIG. 22

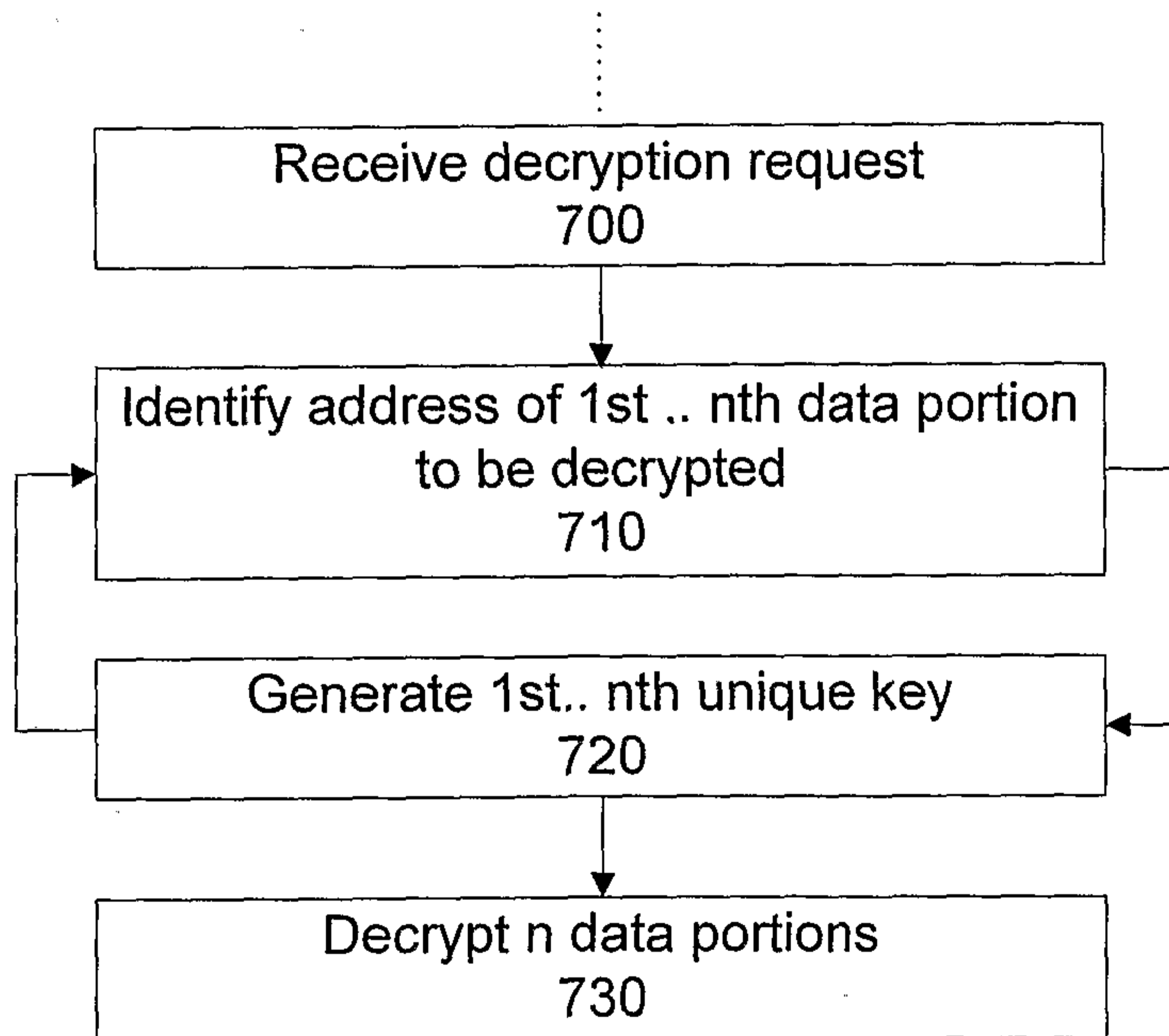


FIG. 23

