



(12) **United States Design Patent**
Harman

(10) **Patent No.:** **US D909,559 S**
(45) **Date of Patent:** **** Feb. 2, 2021**

- (54) **GRILLE FOR AIR DUCT**
- (71) Applicant: **Rodney James Harman**, Whistler (CA)
- (72) Inventor: **Rodney James Harman**, Whistler (CA)
- (**) Term: **15 Years**
- (21) Appl. No.: **29/676,265**
- (22) Filed: **Jan. 9, 2019**
- (51) **LOC (13) Cl.** **23-01**
- (52) **U.S. Cl.**
USPC **D23/387**
- (58) **Field of Classification Search**
USPC D23/410, 404, 403, 387, 386, 370, 393,
D23/260, 390, 233, 235; D7/398;
454/259, 306, 305, 284, 290; 285/3;
138/89; 137/223
CPC F16L 3/00; F16L 55/10; F24F 13/10; F24F
13/02; F24F 13/06; F23L 3/00; B60H
1/34; F04D 29/54; F16K 15/20
See application file for complete search history.

(56) **References Cited**

U.S. PATENT DOCUMENTS

2,059,793	A *	11/1936	Hunker	F23L 13/06 126/290
2,966,837	A	1/1961	Radcliff		
4,263,890	A	4/1981	Turko et al.		
4,397,223	A	8/1983	Maxson		
D319,866	S *	9/1991	Rogers	D23/235
5,058,490	A *	10/1991	Sodec	F24F 13/06 454/290
5,109,756	A	5/1992	Barboza et al.		
5,211,605	A *	5/1993	Shiga	F24F 13/06 454/284
5,275,333	A	1/1994	Tamblyn		
D370,723	S *	6/1996	Nishizawa	D23/387
5,695,222	A	12/1997	Hodges		
D393,709	S *	4/1998	Nishizawa	D23/382
5,876,281	A *	3/1999	Hirasawa	F24F 3/161 454/305

6,273,119 B1 8/2001 Foster et al.
6,289,949 B1 9/2001 Shumaker et al.
6,478,673 B1 11/2002 Haynes

(Continued)

FOREIGN PATENT DOCUMENTS

CA 2369490 A1 7/2003
EM 002736132-0001 * 7/2015

OTHER PUBLICATIONS

Air Vent Circular Abs, announced Sep. 29, 2018[online], [site visited Jun. 4, 2020]. Available from internet, URL:< https://www.newegg.com/p/313-0017-00079> (Year: 2018)*

(Continued)

Primary Examiner — Barbara Fox
Assistant Examiner — Jamaal Rasheed
(74) *Attorney, Agent, or Firm* — Schacht Law Office, Inc.; Dwayne Rogge

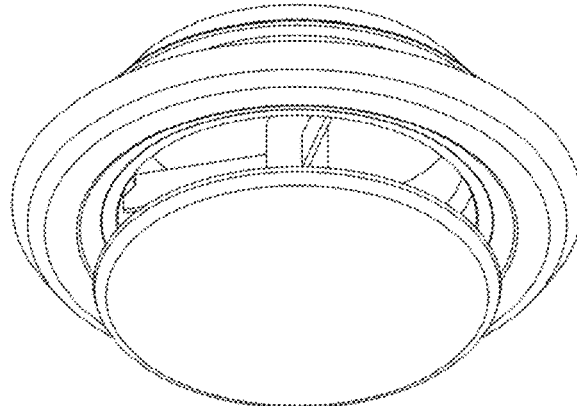
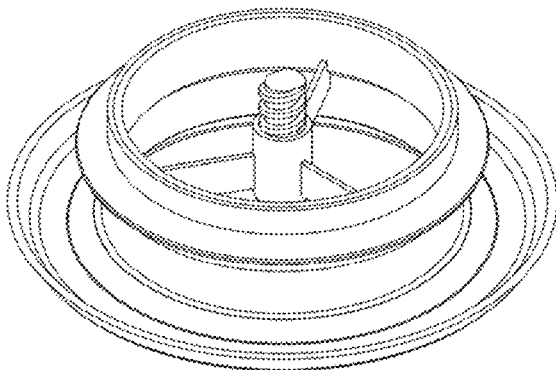
(57) **CLAIM**

The ornamental design for a grille for air duct, as shown and described.

DESCRIPTION

FIG. 1 is a top view of the grille for air duct showing my new design.
FIG. 2 is a bottom view thereof.
FIG. 3 is a side view thereof, the side view substantially identical on all sides, the front, and the back.
FIG. 4 is a top isometric view thereof.
FIG. 5 is a bottom isometric view thereof in a fully open position.
FIG. 6 is a bottom isometric view thereof in a partially open position; and,
FIG. 7 is a bottom isometric view thereof in a partially fully closed position.

1 Claim, 2 Drawing Sheets



(56)

References Cited

U.S. PATENT DOCUMENTS

6,648,004 B2 * 11/2003 Lau F16K 15/148
137/223
6,672,029 B2 1/2004 Tucker
6,758,236 B2 * 7/2004 Xie F16K 15/202
137/223
D506,819 S * 6/2005 Stobart D23/370
D508,122 S * 8/2005 Murphy D23/387
7,022,010 B1 4/2006 Cardon
D525,354 S 7/2006 Nishizawa
7,108,600 B1 9/2006 Krzyskowski et al.
7,118,136 B2 10/2006 Dhya
D551,336 S 9/2007 Haggkvist
D558,325 S * 12/2007 Karnes D23/393
D565,729 S 4/2008 Stephens
D569,685 S * 5/2008 Liu D7/387
7,464,727 B1 * 12/2008 Larson F16L 55/11
138/89
D588,869 S * 3/2009 Rasmussen D7/387
D607,555 S * 1/2010 Nishizawa D23/393
D612,925 S 3/2010 Kameyama et al.
D617,890 S * 6/2010 Thomas D23/393
D635,239 S 3/2011 Liebson et al.
D639,924 S * 6/2011 Winkler D23/370
8,033,900 B2 10/2011 Bosch et al.
D665,071 S 8/2012 Goel et al.
D681,793 S 5/2013 Li
D687,144 S 7/2013 Gronberg
D687,145 S 7/2013 Gronberg
D703,301 S * 4/2014 Peia D23/370
8,833,013 B2 9/2014 Harman
D720,045 S * 12/2014 Landi D23/233
D728,774 S 5/2015 Graham
D729,374 S 5/2015 Reis et al.
D743,521 S 11/2015 Jackson
D744,627 S 12/2015 Bosma et al.
D796,662 S 9/2017 Harman
9,915,365 B2 * 3/2018 Pansegrouw F16K 15/205
D838,817 S * 1/2019 Welch D23/260
D856,073 S * 8/2019 Reed D7/398
D857,875 S * 8/2019 Carran D23/393
D873,970 S * 1/2020 Park D23/260
2003/0062720 A1 4/2003 Anderson
2003/0177724 A1 9/2003 Bolting
2008/0142646 A1 6/2008 Magno et al.

2008/0318511 A1 * 12/2008 Becker F16L 35/005
454/306
2009/0023378 A1 * 1/2009 Hansen F04D 25/14
454/259
2009/0191054 A1 * 7/2009 Winkler F04D 29/526
415/215.1
2012/0285552 A1 * 11/2012 Song
2013/0043671 A1 * 2/2013 Harman F24F 13/02
285/3
2013/0056667 A1 3/2013 Shu
2013/0207017 A1 8/2013 Liu
2015/0260426 A1 9/2015 Hermanson
2018/0126825 A1 * 5/2018 Lee B60H 1/3428

OTHER PUBLICATIONS

Air Vent Grille, Date unavailable [online], [site visited Jun. 5, 2020]. Available from internet, URL:<https://www.xjattflix.com/index.php?main_page=product_info&products_id=355018> (Year: 2020).
Air Vent Supply Grille, announced Aug. 23, 2017[online], [site visited Jun. 5, 2020]. Available from internet, URL:<<https://www.amazon.com/Supply-Grille-Sponge-Gasket-Mounting/dp/B0752YQGZD>> (Year: 2017).
Adjustable vent valve, announced Dec. 11, 2018[online], [site visited Jun. 5, 2020]. Available from internet, URL:<<https://www.amazon.com/calimaero-Round-Stainless-Steel-Adjustable/dp/B07L98GG8Q?th=1>> (Year: 2018).
Airtec, "Installation Guide for Model MV or MX Diffuser", unknown date, 1 page.
Duratite Systems Collars, Product Website www.duratite.com/products/, unknown date, 2 pages.
Eneready Products Ltd., "SpeediSleeve" Ecco Supply Brochure, unknown date, 1 page.
Fantech, "MGE Series Adjustable Metal Exhaust Grille w/Metal Mounting Collar for 5" Duct", <http://www.pexsupply.com/Fantech-MGE5-MGE-Series-Adjustable-Metal-Exhaust-Grill>, unknown date, 1 page.
International Searching Authority, ISR, PCT/CA2012/050567, Nov. 6, 2012, 7 pages.
Lifebreath Indoor Air Systems, "EasyAir Grilles/Elbows/Diffuser", unknown date, 1 page.
Niu-Air, "4-inch Stackhead", unknown date, 1 page.
Primex Construction, "Squeeze Elbow", unknown date, 1 page.
S&P, "Premium Grille" Steel Collar, unknown date, 1 page.

* cited by examiner

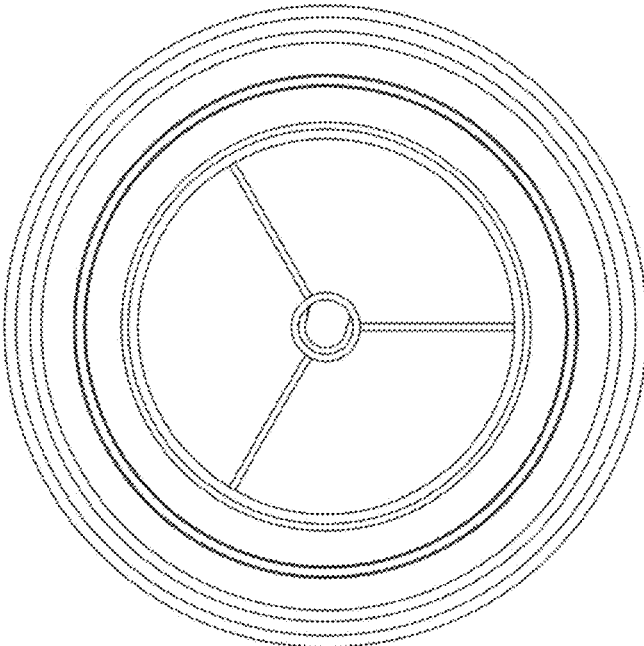


Fig. 1

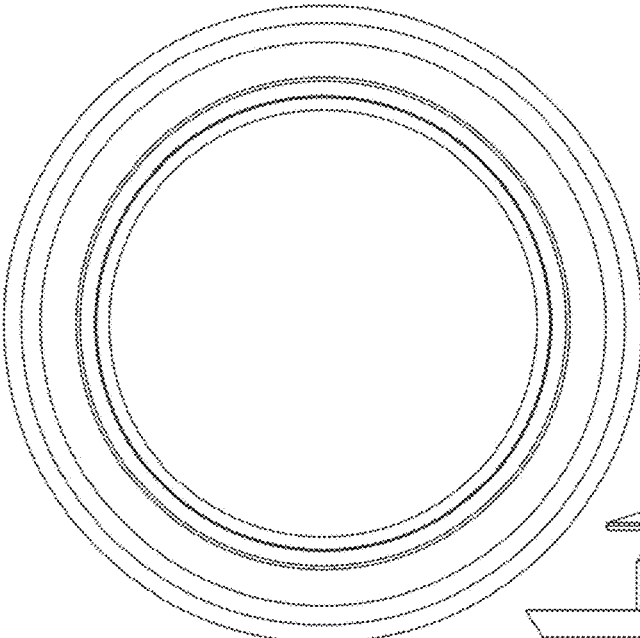


Fig. 2

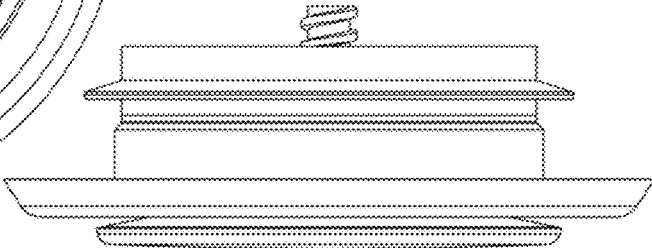


Fig. 3

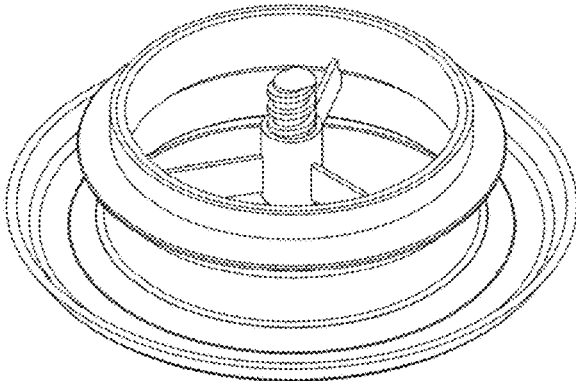


Fig. 4

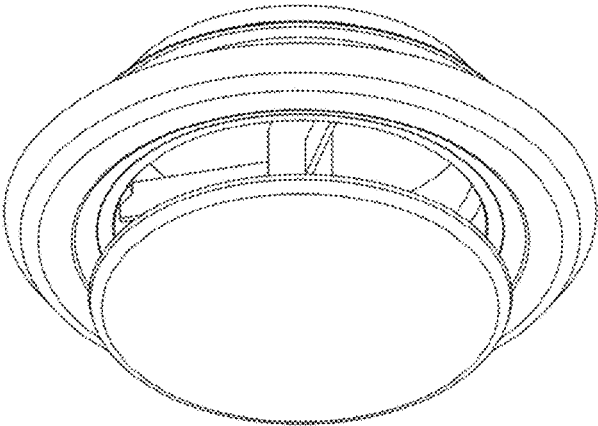


Fig. 5

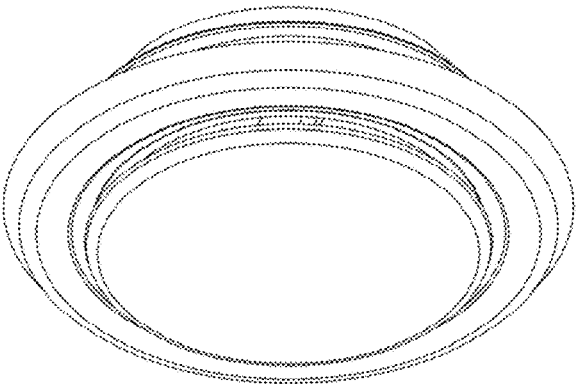


Fig. 6

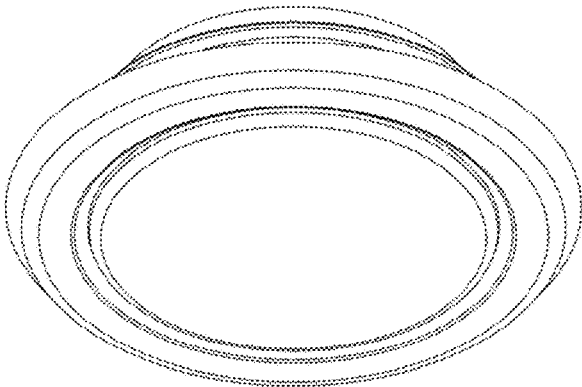


Fig. 7