



US00D813436S

(12) **United States Design Patent**  
**Verelst**

(10) **Patent No.:** **US D813,436 S**

(45) **Date of Patent:** **\*\* Mar. 20, 2018**

(54) **LAMP**

CPC .... F21S 8/03; F21S 8/033; F21S 8/036; F21S 8/037; F21S 8/04; F21V 21/02  
See application file for complete search history.

(71) Applicant: **PHILIPS LIGHTING HOLDING B.V.**, Eindhoven (NL)

(72) Inventor: **Dirk Maria Karel Rosalia Verelst**, Boeichout (BE)

(73) Assignee: **PHILIPS LIGHTING HOLDING B.V.**, Eindhoven (NL)

(\*\*) Term: **15 Years**

(21) Appl. No.: **35/501,930**

(22) Filed: **Nov. 2, 2016**

(80) **Hague Agreement Data**

Int. Filing Date: **Nov. 2, 2016**  
Int. Reg. No.: **DM/093356**  
Int. Reg. Date: **Nov. 2, 2016**  
Int. Reg. Pub. Date: **Nov. 18, 2016**

(30) **Foreign Application Priority Data**

May 4, 2016 (EM) ..... 003110006-0011

(51) **LOC (11) Cl.** ..... **26-03**

(52) **U.S. Cl.**  
USPC ..... **D26/72**

(58) **Field of Classification Search**  
USPC ..... D26/68, 72, 76, 85, 87, 118

(56) **References Cited**

U.S. PATENT DOCUMENTS

D485,634 S \* 1/2004 Compton ..... D26/72  
D576,333 S \* 9/2008 Benensohn ..... D26/72  
D577,144 S \* 9/2008 Benensohn ..... D26/72  
D580,086 S \* 11/2008 Condon ..... D26/72  
D759,884 S \* 6/2016 Huang ..... D26/113

\* cited by examiner

*Primary Examiner* — Zenia Bennett

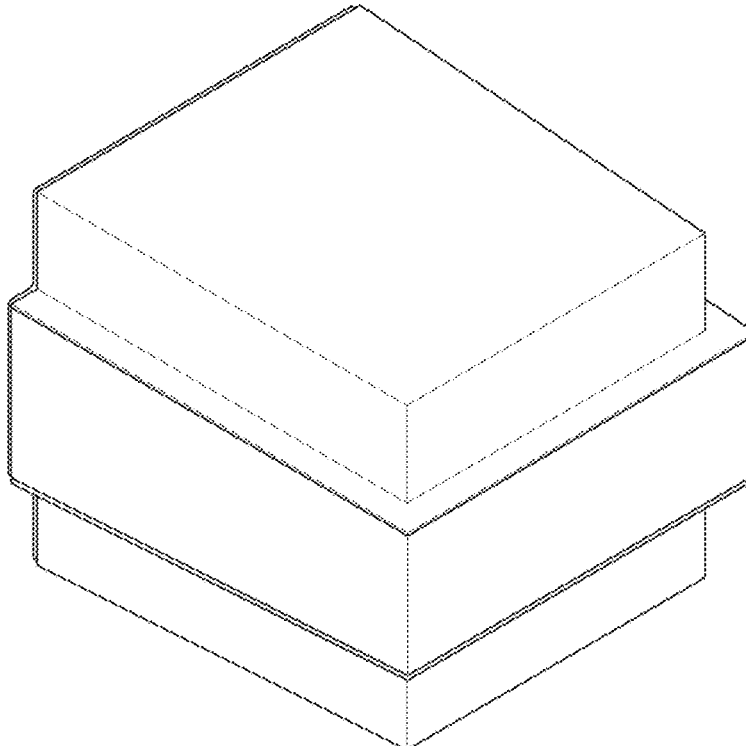
(57) **CLAIM**

The ornamental design for a lamp, as shown and described.

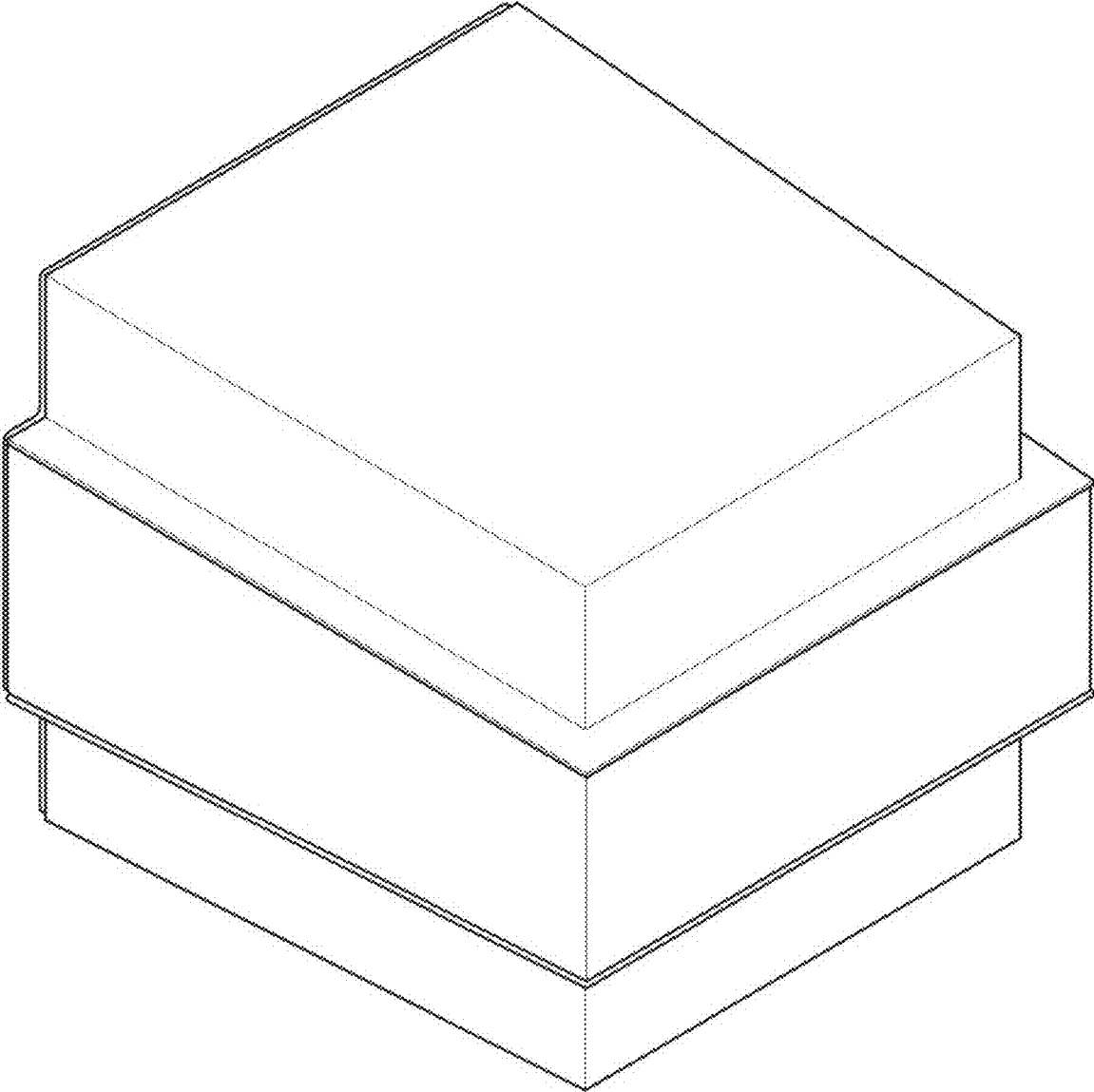
**DESCRIPTION**

1. Lamp  
Fig. 1.1 is a perspective view;  
Fig. 1.2 is a left side elevation view;  
Fig. 1.3 is a right side elevation view;  
Fig. 1.4 is a front side elevation view;  
Fig. 1.5 is a rear elevation view;  
Fig. 1.6 is a top plan view;  
Fig. 1.7 is a bottom plan view.

**1 Claim, 7 Drawing Sheets**



1.1



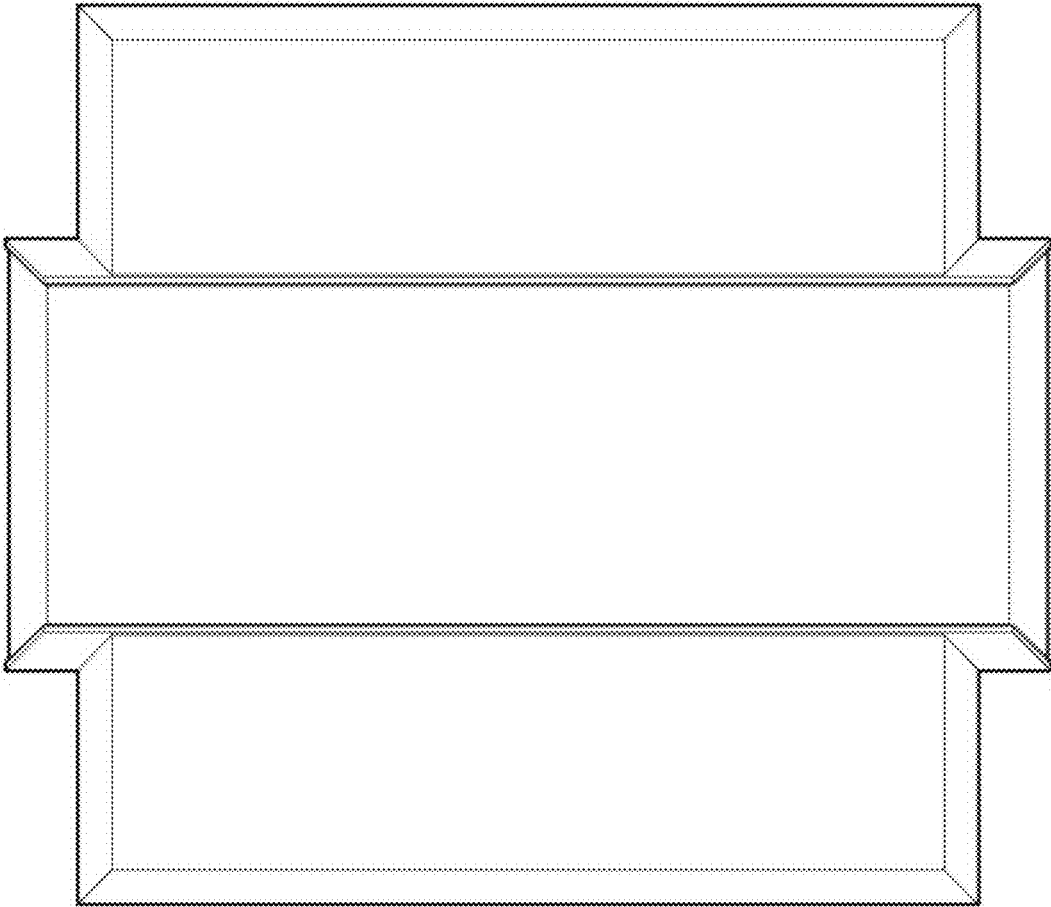
1.2



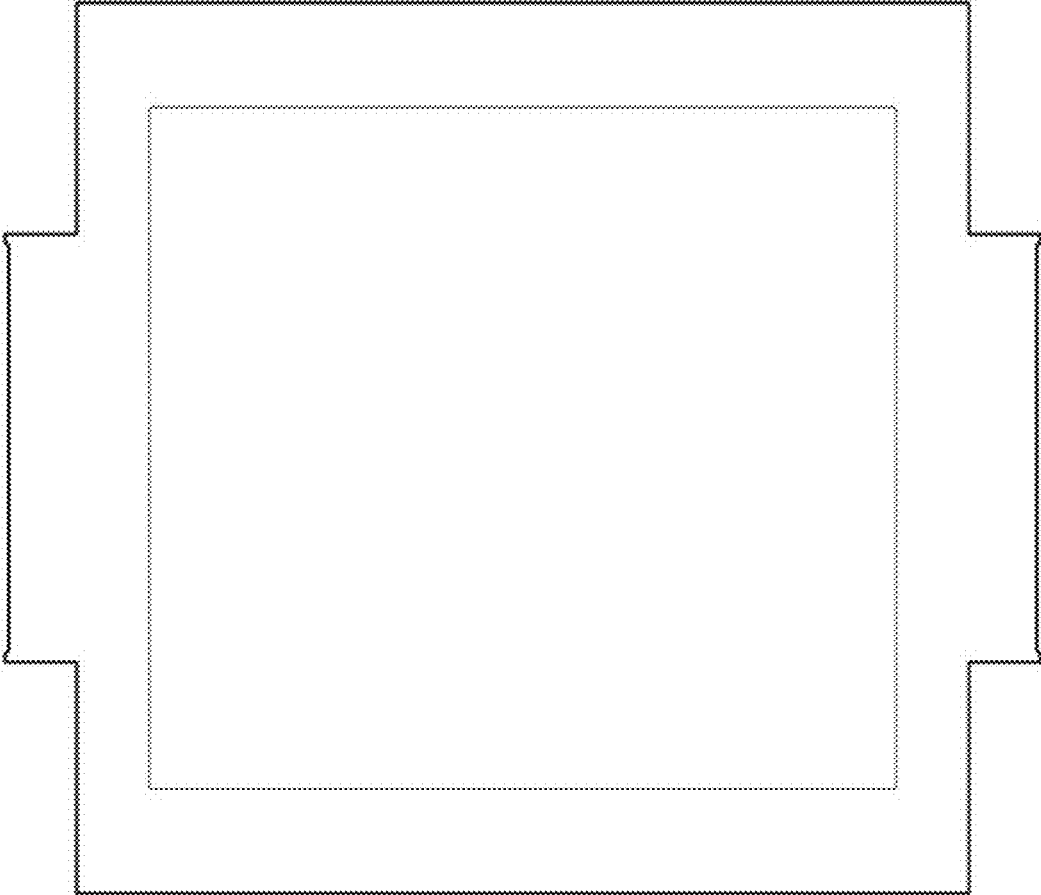
1.3



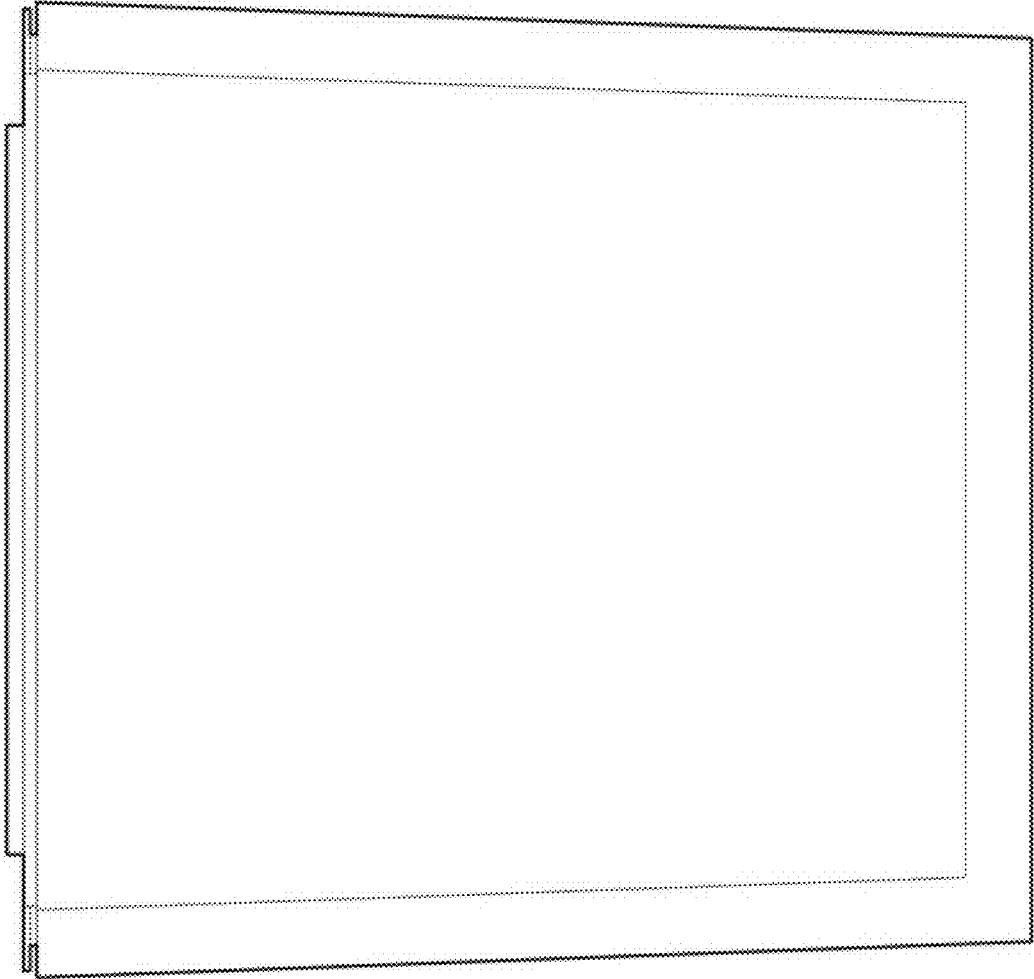
1.4



1.5



1.6



1.7

