



US00D747862S

(12) **United States Design Patent**  
**Blair et al.**

(10) **Patent No.:** **US D747,862 S**

(45) **Date of Patent:** **\*\* Jan. 26, 2016**

(54) **SHOE HEEL**

(71) Applicants: **Sharon Blair**, Ellenwood, GA (US);  
**Francis Menjor**, Decatur, GA (US)

(72) Inventors: **Sharon Blair**, Ellenwood, GA (US);  
**Francis Menjor**, Decatur, GA (US)

(\*\*) Term: **14 Years**

(21) Appl. No.: **29/476,421**

(22) Filed: **Dec. 13, 2013**

(51) **LOC (10) Cl.** ..... **02-04**

(52) **U.S. Cl.**  
USPC ..... **D2/965**

(58) **Field of Classification Search**  
USPC ..... D2/915, 916, 925, 918, 922, 946,  
D2/964-966, 976; 36/34 R, 72 B, 72 R, 73,  
36/83, 136  
CPC ..... A43B 21/00; A43B 21/36; A43B 21/39;  
A43B 21/52  
See application file for complete search history.

(56) **References Cited**

U.S. PATENT DOCUMENTS

D121,193 S *	6/1940	Nutt	.....	D2/965
D123,241 S *	10/1940	Johnson	.....	D2/965
2,284,326 A	5/1942	Korda		
D136,960 S	1/1944	Shuford		
2,414,445 A	1/1947	Cahil		
2,465,817 A	3/1949	Perguria		
D201,002 S *	5/1965	Hahn	.....	D2/966

D205,882 S *	10/1966	Post	.....	D2/939
3,369,309 A	2/1968	Brooks		
4,041,618 A	8/1977	Famolare, Jr.		
D347,937 S *	6/1994	Garland	.....	D2/965
D499,240 S *	12/2004	Kuo	.....	D2/965
D578,286 S *	10/2008	Hogan	.....	D2/964
7,574,819 B2	8/2009	Rie		
D606,730 S *	12/2009	Whittington	.....	D2/910

\* cited by examiner

*Primary Examiner* — Derrick Holland

*Assistant Examiner* — Janice Lim

(57) **CLAIM**

The ornamental design for a shoe heel, as shown and described.

**DESCRIPTION**

FIG. 1 is a left side view of a shoe heel, and a right side view being a mirror image thereof, shown in environmental use, showing our new design;

FIG. 2 is a rear view thereof, shown in environmental use;

FIG. 3 is a bottom view thereof, shown in environmental use;

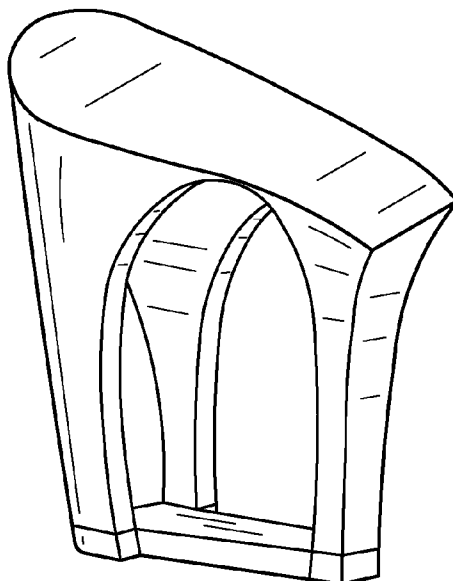
FIG. 4 is a front perspective view thereof, shown in environmental use;

FIG. 5 is a bottom, left side, rear perspective view thereof, and a bottom, right side, rear perspective view being a mirror image thereof; and,

FIG. 6 is a front perspective view thereof.

The broken line portions of FIGS. 1 through 4 are included to show unclaimed environmental subject matter only and form no part of the claimed design.

**1 Claim, 5 Drawing Sheets**



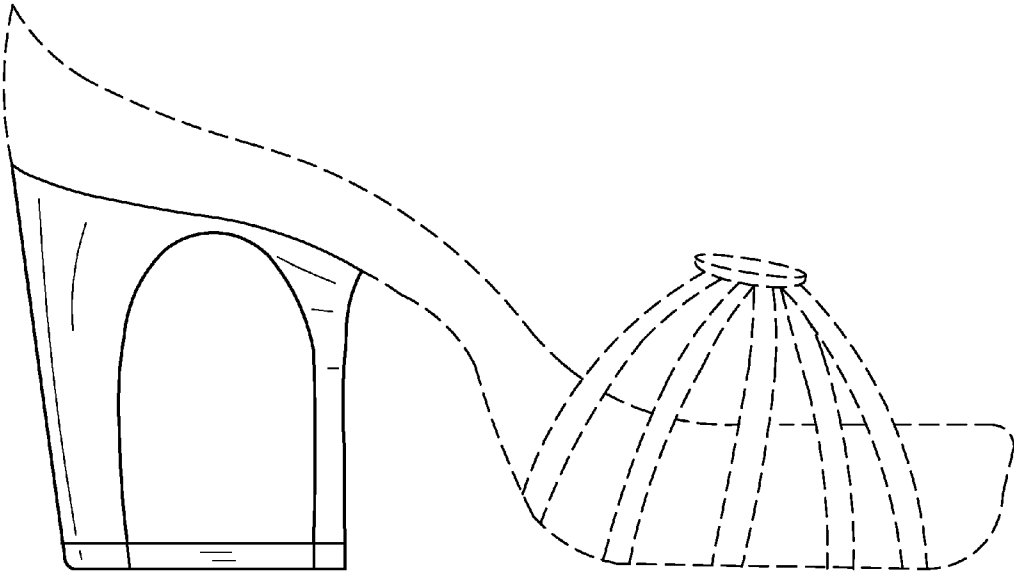


FIG. 1

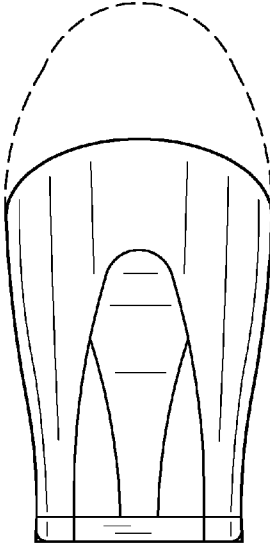


FIG. 2

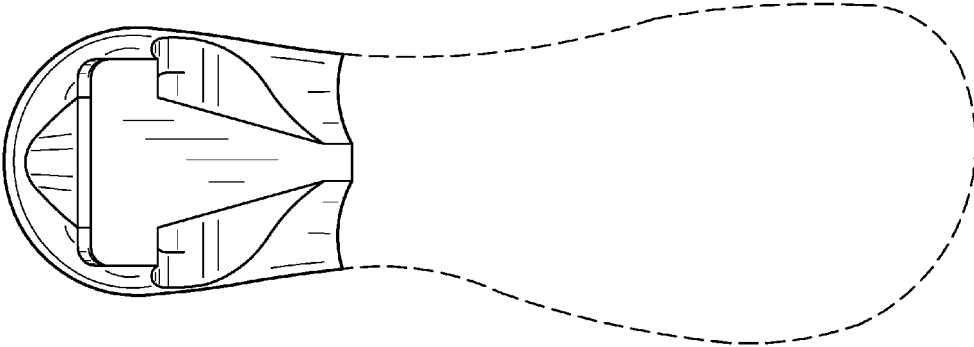


FIG. 3

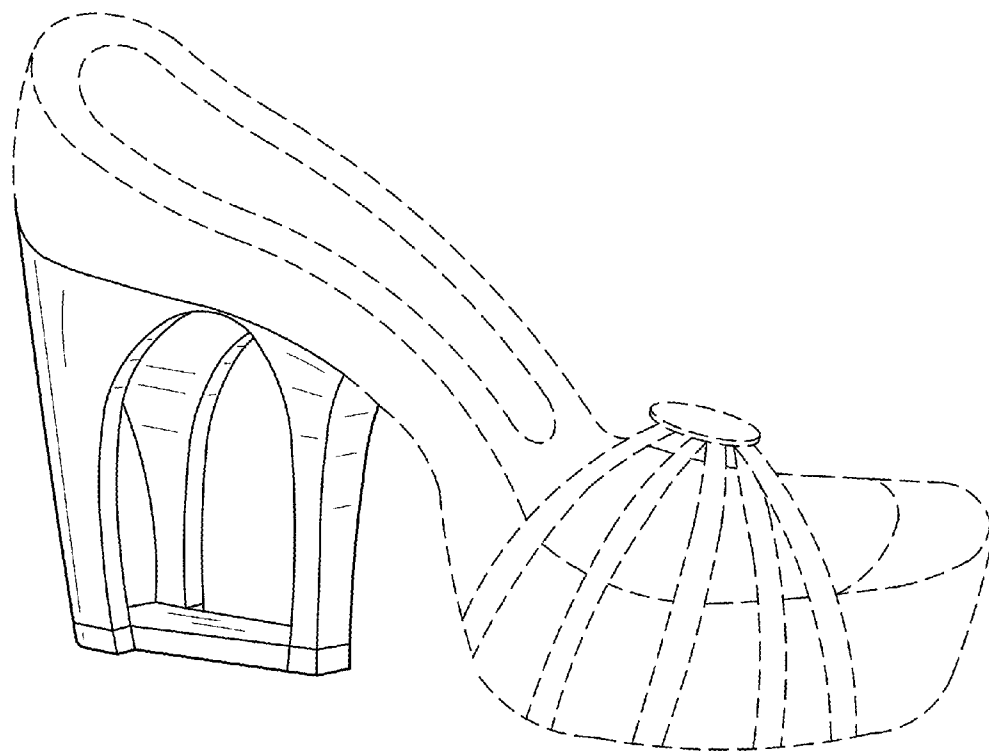


FIG. 4

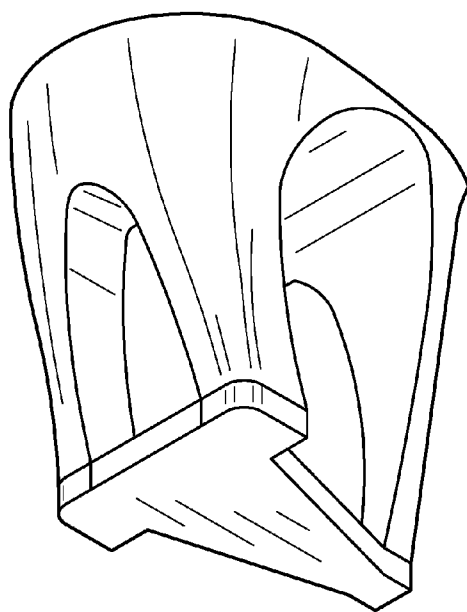


FIG. 5

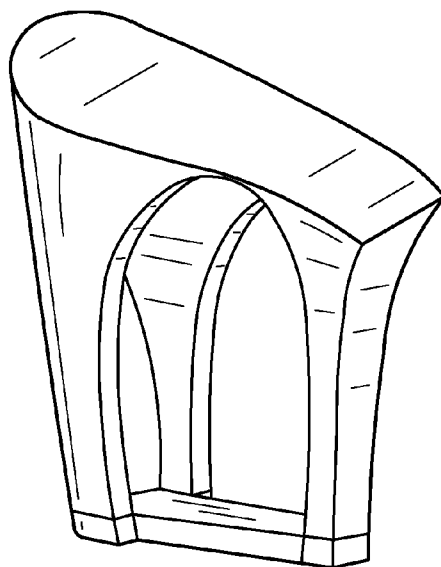


FIG. 6