



US00D823407S

(12) **United States Design Patent**
Song et al.

(10) **Patent No.:** **US D823,407 S**
(45) **Date of Patent:** **** Jul. 17, 2018**

- (54) **IRON GOLF CLUB HEAD**
- (71) Applicant: **Acushnet Company**, Fairhaven, MA (US)
- (72) Inventors: **Yu-Jin Song**, San Marcos, CA (US);
Ryan J. A. Ritchie, Carlsbad, CA (US)
- (73) Assignee: **Acushnet Company**, Fairhaven, MA (US)
- (**) Term: **15 Years**
- (21) Appl. No.: **29/601,053**
- (22) Filed: **Apr. 18, 2017**
- (51) **LOC (11) Cl.** **21-02**
- (52) **U.S. Cl.**
USPC **D21/747**
- (58) **Field of Classification Search**
USPC D21/747-751, 759
CPC A63B 53/00; A63B 53/02; A63B 53/04;
A63B 53/047; A63B 53/0475; A63B 2053/0479; A63B 2053/0483; A63B 2053/0445; A63B 60/00; A63B 60/46
See application file for complete search history.

D598,060	S	*	8/2009	Barez	D21/747
D618,293	S	*	6/2010	Foster	D21/747
D649,211	S	*	11/2011	Jertson	D21/759
D652,093	S	*	1/2012	Foster	D21/747
D680,603	S	*	4/2013	Nicolette	D21/749
D681,143	S	*	4/2013	Nicolette	D21/749
D682,961	S	*	5/2013	Llewellyn	D21/747
D725,732	S	*	3/2015	Westrum	D21/759
D736,875	S	*	8/2015	Llewellyn	D21/759
D737,391	S	*	8/2015	Wieland	D21/759
D754,806	S	*	4/2016	Bacon	D21/747
D767,695	S	*	9/2016	Kitching, Jr.	D21/747
D768,249	S	*	10/2016	Chun	D21/747
D788,238	S	*	5/2017	Foster	D21/759
D795,370	S	*	8/2017	Bacon	D21/759
D803,960	S	*	11/2017	Hebreo	D21/749
D809,082	S	*	1/2018	Kim	D21/759
D812,169	S	*	3/2018	Kim	D21/759

* cited by examiner

Primary Examiner — Mitchell I. Siegel
(74) *Attorney, Agent, or Firm* — Randy K. Chang

(57) **CLAIM**

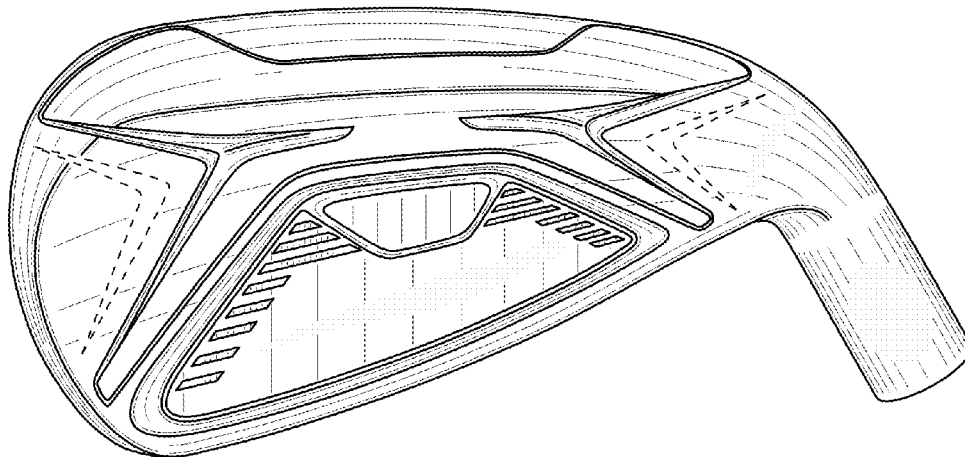
The ornamental design for iron golf club head, as shown and described.

DESCRIPTION

FIG. 1 is a perspective back view of my new design for an iron golf club head;
FIG. 2 is a back view thereof;
FIG. 3 is a top view thereof;
FIG. 4 is a front view thereof;
FIG. 5 is a bottom sole view thereof;
FIG. 6 is a heel view thereof; and,
FIG. 7 is a toe view thereof.
The broken line showing is included for the purpose of illustrating and forms no part of the claimed design.

1 Claim, 3 Drawing Sheets

- (56) **References Cited**
U.S. PATENT DOCUMENTS
- D267,965 S * 2/1983 Kobayashi D21/748
- D318,703 S * 7/1991 Shearer D21/748
- D319,091 S * 8/1991 Antonious D21/749
- 5,074,563 A * 12/1991 Gorman A63B 53/04
473/350
- D336,672 S * 6/1993 Gorman D21/749
- D553,699 S * 10/2007 Nunez D21/747
- D554,212 S * 10/2007 Nunez D21/747
- D559,931 S * 1/2008 Roach D21/747



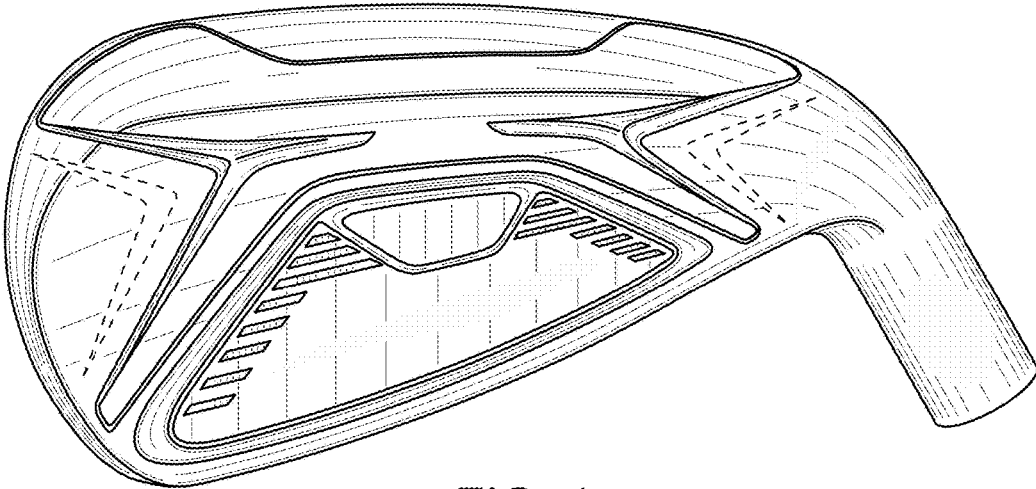


FIG. 1

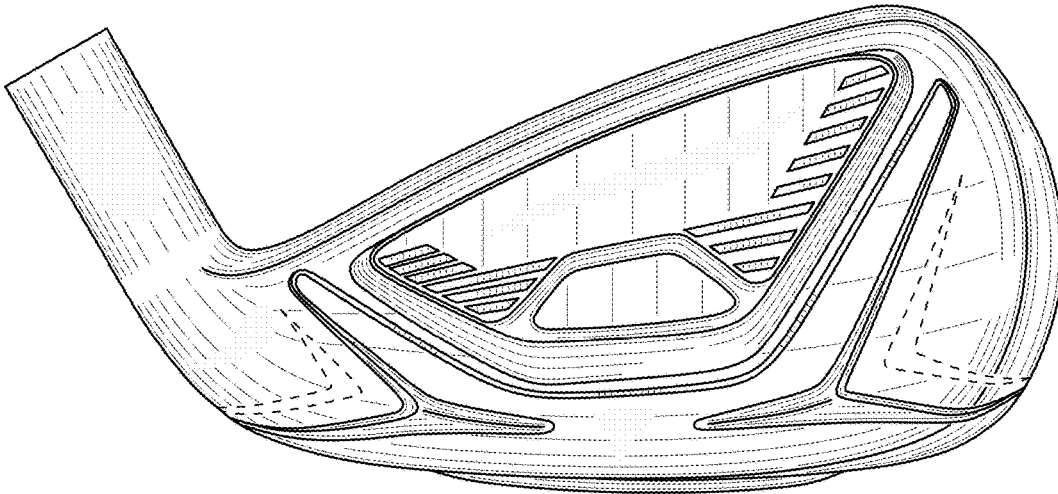


FIG. 2

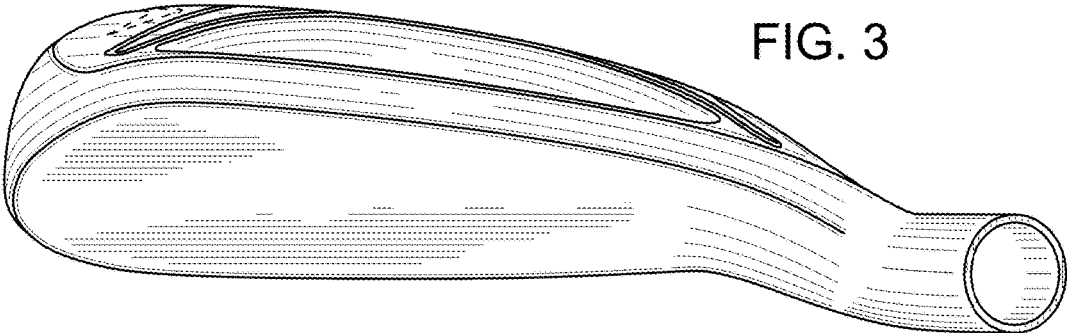


FIG. 3

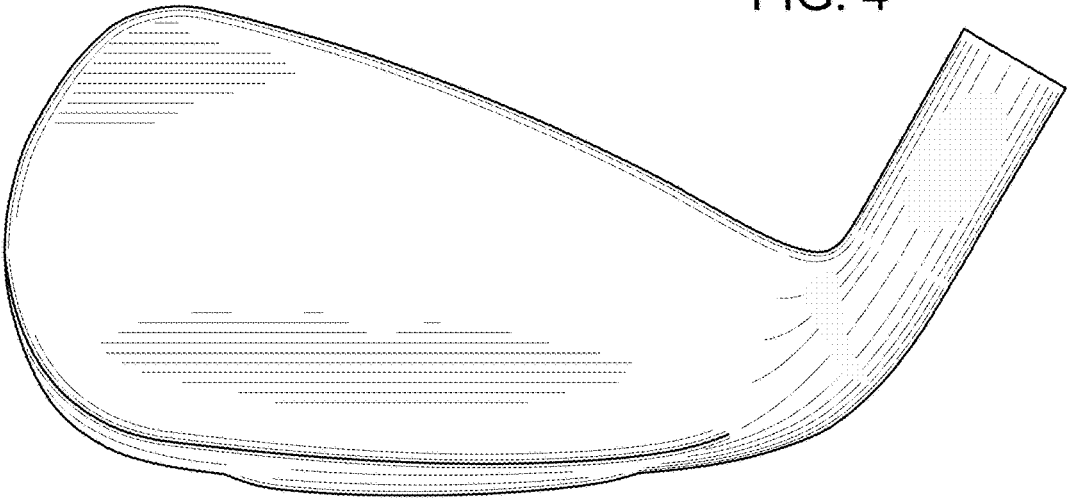


FIG. 4

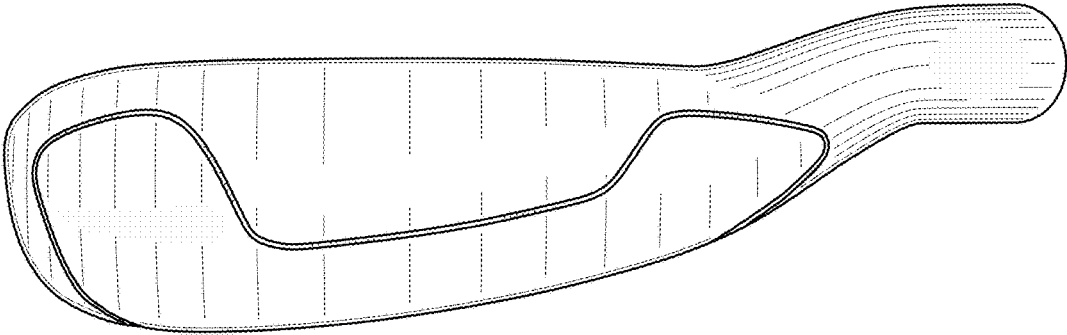


FIG. 5

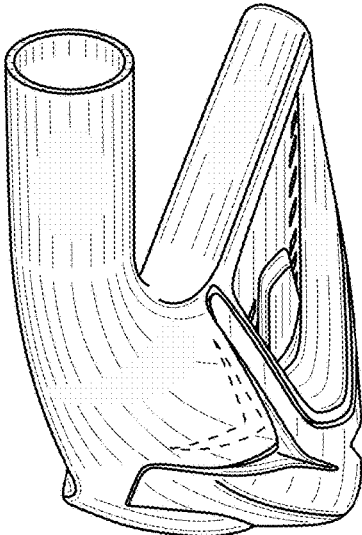


FIG. 6

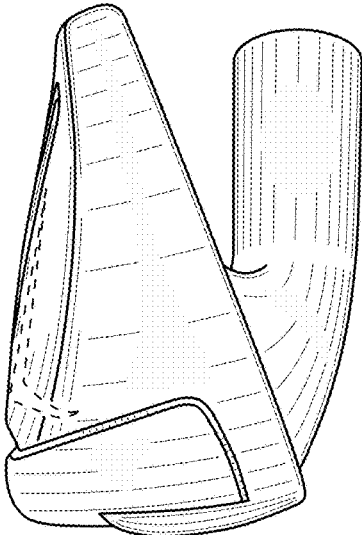


FIG. 7