



(12) **United States Design Patent**  
**Brugger et al.**

(10) **Patent No.:** **US D872,508 S**  
(45) **Date of Patent:** **\*\* Jan. 14, 2020**

- (54) **RETAIL DISPLAY**
- (71) Applicant: **Apple Inc.**, Cupertino, CA (US)
- (72) Inventors: **Alice Marlin Brugger**, San Francisco, CA (US); **Joshua Robert Edwards**, Santa Cruz, CA (US); **Jean-Marc Gady**, Los Altos, CA (US); **Moritz Wilsberg**, Menlo Park, CA (US)
- (73) Assignee: **Apple Inc.**, Cupertino, CA (US)
- (\*\*) Term: **15 Years**
- (21) Appl. No.: **29/694,970**
- (22) Filed: **Jun. 14, 2019**

3,408,128 A	10/1968	Kump
3,646,696 A	3/1972	Sarkisian
3,662,482 A	5/1972	Sarkisian
D230,808 S	3/1974	Edwards
4,116,509 A	9/1978	Smith
D251,947 S	5/1979	Taniwaki
4,193,650 A	3/1980	Gray et al.
D256,197 S	8/1980	Kates
D265,618 S	8/1982	Robertson et al.
D269,754 S	7/1983	Kates
4,655,352 A	4/1987	Noyes et al.
D290,204 S	6/1987	Bmget
D292,651 S	11/1987	Stratton
D296,619 S	7/1988	Charman
4,784,205 A	11/1988	Johnson et al.
D300,288 S	3/1989	Price et al.
D303,458 S	9/1989	Zapf
D304,534 S	11/1989	Gustafson
D305,582 S	1/1990	Zapf
D314,877 S	2/1991	Bush et al.
5,018,291 A	5/1991	Pasquale et al.
D318,383 S	7/1991	Terrell et al.
D321,100 S	10/1991	Dorrell
D322,187 S	12/1991	Leis et al.
D326,966 S	6/1992	Eggink et al.
D329,155 S	9/1992	Schremmer
D331,917 S	12/1992	DuBrucq

**Related U.S. Application Data**

- (63) Continuation of application No. 29/650,766, filed on Jun. 8, 2018, now Pat. No. Des. 851,428, which is a continuation of application No. 29/599,805, filed on Apr. 6, 2017, now Pat. No. Des. 820,619.
- (51) **LOC (12) Cl.** ..... **06-06**
- (52) **U.S. Cl.**  
USPC ..... **D6/675.1**
- (58) **Field of Classification Search**  
USPC ..... D6/672, 673, 675-675.1, 675.3, 675.4  
CPC .. A47F 1/00; A47F 5/0081; A47F 5/04; A47F 7/00  
See application file for complete search history.

(Continued)  
*Primary Examiner* — Kelley A Donnelly  
(74) *Attorney, Agent, or Firm* — Sterne, Kessler, Goldstein & Fox, P.L.L.C.

(57) **CLAIM**  
The ornamental design for a retail display, as shown and described.

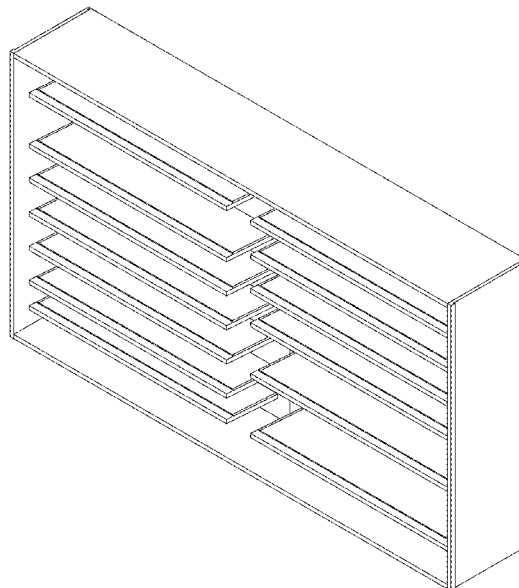
- (56) **References Cited**  
U.S. PATENT DOCUMENTS

455,280 A	6/1891	Emerson
2,364,870 A	12/1944	Otto
3,014,773 A	12/1961	Foote, Jr. et al.
3,063,252 A	11/1962	Lamb
D204,845 S	5/1966	Loeser

**DESCRIPTION**

FIG. 1 is a top front perspective view of a retail display showing the claimed design;  
FIG. 2 is a bottom front perspective view thereof; and,  
FIG. 3 is a front view thereof.

**1 Claim, 3 Drawing Sheets**



(56)

References Cited

U.S. PATENT DOCUMENTS

D332,018 S	12/1992	De Pas et al.	D644,039 S	8/2011	Naples et al.	
D332,972 S	2/1993	Lott	D645,090 S	9/2011	Gimpel et al.	
D333,931 S	3/1993	Wein	D646,269 S	10/2011	Crick, Jr. et al.	
D336,725 S	6/1993	Emanuel	D646,503 S	10/2011	Fiori	
D342,846 S	1/1994	Stefanowicz	D648,783 S	11/2011	Mathea	
D346,829 S	5/1994	Keefe	D649,192 S	11/2011	Beukema et al.	
5,316,156 A	5/1994	Land et al.	D652,152 S	1/2012	Martin et al.	
D354,638 S	1/1995	Todd et al.	D657,978 S	4/2012	Hamm et al.	
D365,947 S	1/1996	Howard	D661,124 S	6/2012	Curbbun et al.	
5,618,141 A	4/1997	Field	D661,922 S	6/2012	Mitri	
D389,345 S	1/1998	Grosfillex	D662,329 S	6/2012	Arko et al.	
D392,474 S	3/1998	Frasketi	D667,904 S	9/2012	DeFrancisci	
D397,562 S	9/1998	DePottey et al.	D669,693 S	10/2012	Göranson et al.	
D398,462 S	9/1998	Baluk et al.	D669,694 S	10/2012	Yoo et al.	
D420,223 S	2/2000	Chipman et al.	D678,969 S	3/2013	Oldknow et al.	
D420,519 S	2/2000	Chen	D679,521 S	4/2013	Hamm et al.	
D420,535 S	2/2000	Klock	D680,350 S	4/2013	Peake-Atkins et al.	
D421,249 S	2/2000	Rooyakkers et al.	D685,433 S	7/2013	De Iullis et al.	
D422,796 S	4/2000	Milligan et al.	D689,306 S	9/2013	Fishman et al.	
6,170,678 B1	1/2001	de la Fuente	D691,208 S	10/2013	Gorelick	
D439,445 S	3/2001	Riga et al.	D691,838 S	10/2013	Hinkle	A47F 11/10
D440,078 S	4/2001	Carrabba				D6/675.1
D442,796 S	5/2001	Brozak, Jr.	D692,707 S	11/2013	Yoo et al.	
D450,465 S	11/2001	Overthun et al.	D693,156 S	11/2013	Hamm et al.	
D458,037 S	6/2002	Ueno	D693,478 S	11/2013	Irick et al.	
D458,038 S	6/2002	Ueno	D696,879 S	1/2014	Roekens et al.	
D458,773 S	6/2002	Battaglia, Jr. et al.	D700,901 S	3/2014	Giglio et al.	
D466,331 S	12/2002	Chang	D703,467 S	4/2014	Ho et al.	
D476,818 S	7/2003	Stravitz	D708,270 S	7/2014	Heirakuji et al.	
D479,925 S	9/2003	Hsieh et al.	D708,459 S	7/2014	Heirakuji et al.	
D495,901 S	9/2004	Bosman	D712,181 S	9/2014	Martell et al.	
D497,486 S	10/2004	Quiel	D713,659 S	9/2014	Stafford et al.	
D506,331 S	6/2005	Quintal	D717,808 S	11/2014	Tsuru et al.	
D509,368 S	9/2005	Tishler	D719,172 S	12/2014	Tsuru et al.	
D521,275 S	5/2006	Dusenberry	D719,381 S	12/2014	DeLaGrange	
D537,654 S	3/2007	Chang	D721,695 S	1/2015	Birgeoglu	
D538,068 S	3/2007	Newhouse et al.	D721,696 S	1/2015	Birgeoglu	
D538,556 S	3/2007	Arias	D723,843 S	3/2015	Lai	
7,228,654 B2	6/2007	Stravitz	D728,283 S	5/2015	Weshler et al.	
D553,392 S	10/2007	Juneau	D730,664 S	6/2015	Klein et al.	
D554,907 S	11/2007	Edison et al.	D730,852 S	6/2015	Park et al.	
D554,908 S	11/2007	Edison et al.	D737,078 S	8/2015	McKinney	
D559,566 S	1/2008	Amezola Portuondo	D737,604 S	9/2015	Bridger et al.	
D575,532 S	8/2008	Whetman	D741,091 S	10/2015	Tio et al.	
D576,426 S	9/2008	Yuen-Schat et al.	D742,455 S	11/2015	Denby et al.	
D584,902 S	1/2009	Neff et al.	9,280,227 B2	3/2016	Reynolds et al.	
D590,607 S	4/2009	Beno et al.	D753,938 S	4/2016	DeLaGrange	
D590,630 S	4/2009	Singler et al.	D759,389 S	6/2016	Li et al.	
D591,079 S	4/2009	Singler et al.	D763,018 S	8/2016	Walter	
D591,979 S	5/2009	Singler et al.	D763,605 S	8/2016	Bridger et al.	
D592,422 S	5/2009	Rheault	D769,021 S	10/2016	Green et al.	
D593,775 S	6/2009	Singler et al.	D770,203 S	11/2016	Thaler et al.	
D599,122 S	9/2009	Feldpausch et al.	D773,865 S	12/2016	DeLaGrange	
D599,130 S	9/2009	Clark	D776,466 S	1/2017	Bonuccelli	D6/675.1
D602,282 S	10/2009	Lulloff et al.	D777,478 S	1/2017	Krauss	
D607,669 S	1/2010	Trinh et al.	D777,490 S	1/2017	Stauss	
D607,670 S	1/2010	Trinh et al.	D785,978 S	5/2017	Brown et al.	
D608,830 S	1/2010	Taylor et al.	D785,980 S	5/2017	Brown et al.	
D610,832 S	3/2010	Rheault	D785,982 S	5/2017	Brown et al.	
D611,284 S	3/2010	Bertke et al.	D819,377 S	6/2018	Brown et al.	
D618,268 S	6/2010	Takahashi et al.	D820,619 S	6/2018	Brugger et al.	
D620,311 S	7/2010	Baacke et al.	D824,894 S	8/2018	Marasco et al.	
D620,457 S	7/2010	Maurer et al.	D830,745 S	10/2018	Pedersen et al.	
D622,521 S	8/2010	Urquiola	D834,357 S	11/2018	Massaud	D6/675.1
D622,673 S	8/2010	Maurer et al.	D836,956 S	1/2019	Tsuchiyama	
D629,232 S	12/2010	Forcellina	D851,428 S	6/2019	Brugger et al.	
D632,102 S	2/2011	Sato	D855,360 S	8/2019	Whitaker	D6/675
D632,903 S	2/2011	Paul	2005/0279033 A1	12/2005	Faber et al.	
D637,421 S	5/2011	Theisen et al.	2006/0243683 A1	11/2006	Onachilla et al.	
D637,422 S	5/2011	Theisen et al.	2007/0170823 A1	7/2007	Stannis et al.	
D641,988 S	7/2011	Giroux	2012/0304513 A1	12/2012	Gorelick	
D641,989 S	7/2011	Giroux et al.	2013/0326922 A1	12/2013	Lyons et al.	
D641,992 S	7/2011	Giroux et al.	2014/0190089 A1	7/2014	Alarcon et al.	
D642,390 S	8/2011	West	2016/0345752 A1	12/2016	Resch	
D642,824 S	8/2011	Theisen et al.	2018/0146799 A1	5/2018	Resch	
			2019/0035004 A1	1/2019	Zhang	

\* cited by examiner

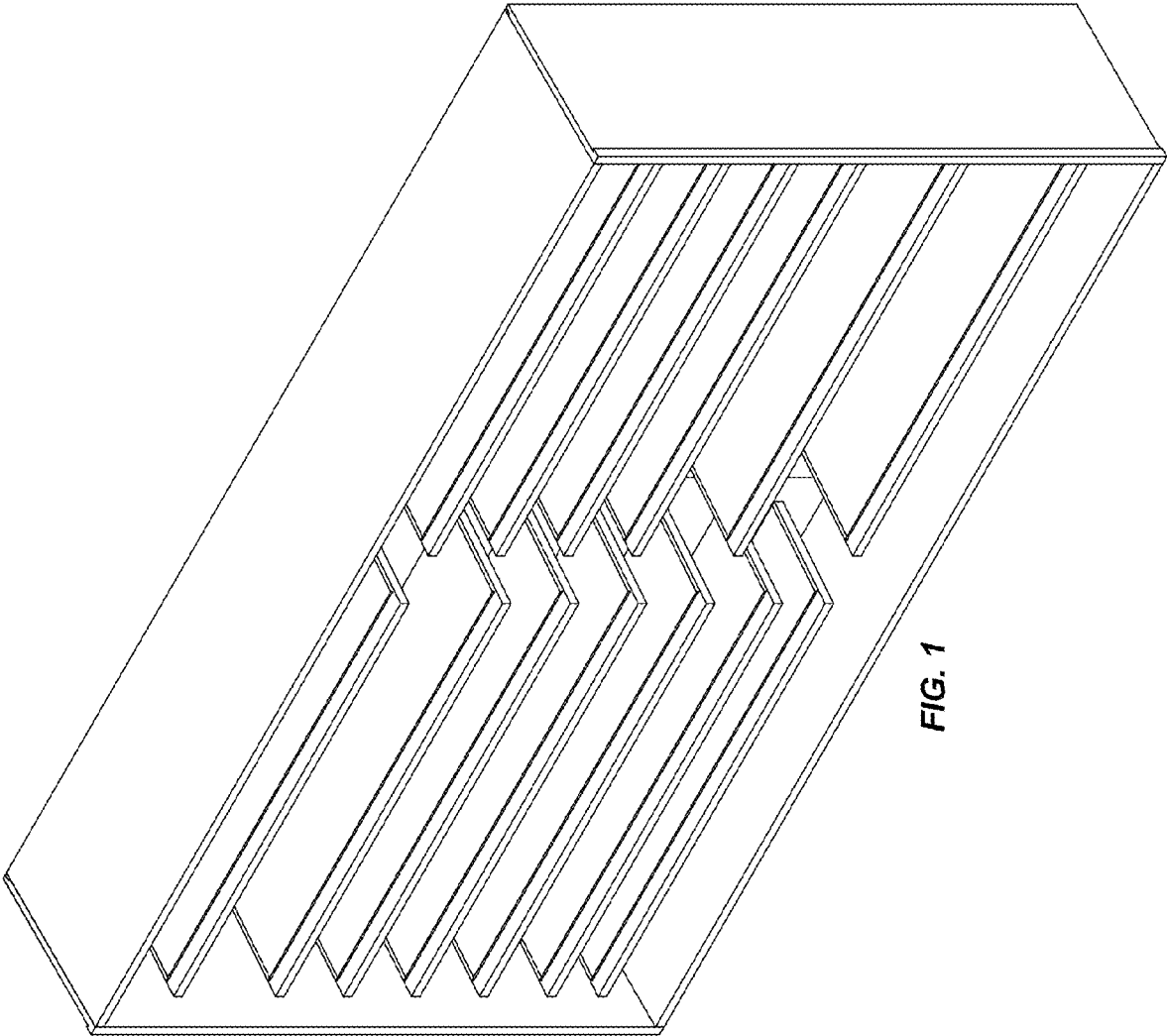


FIG. 1

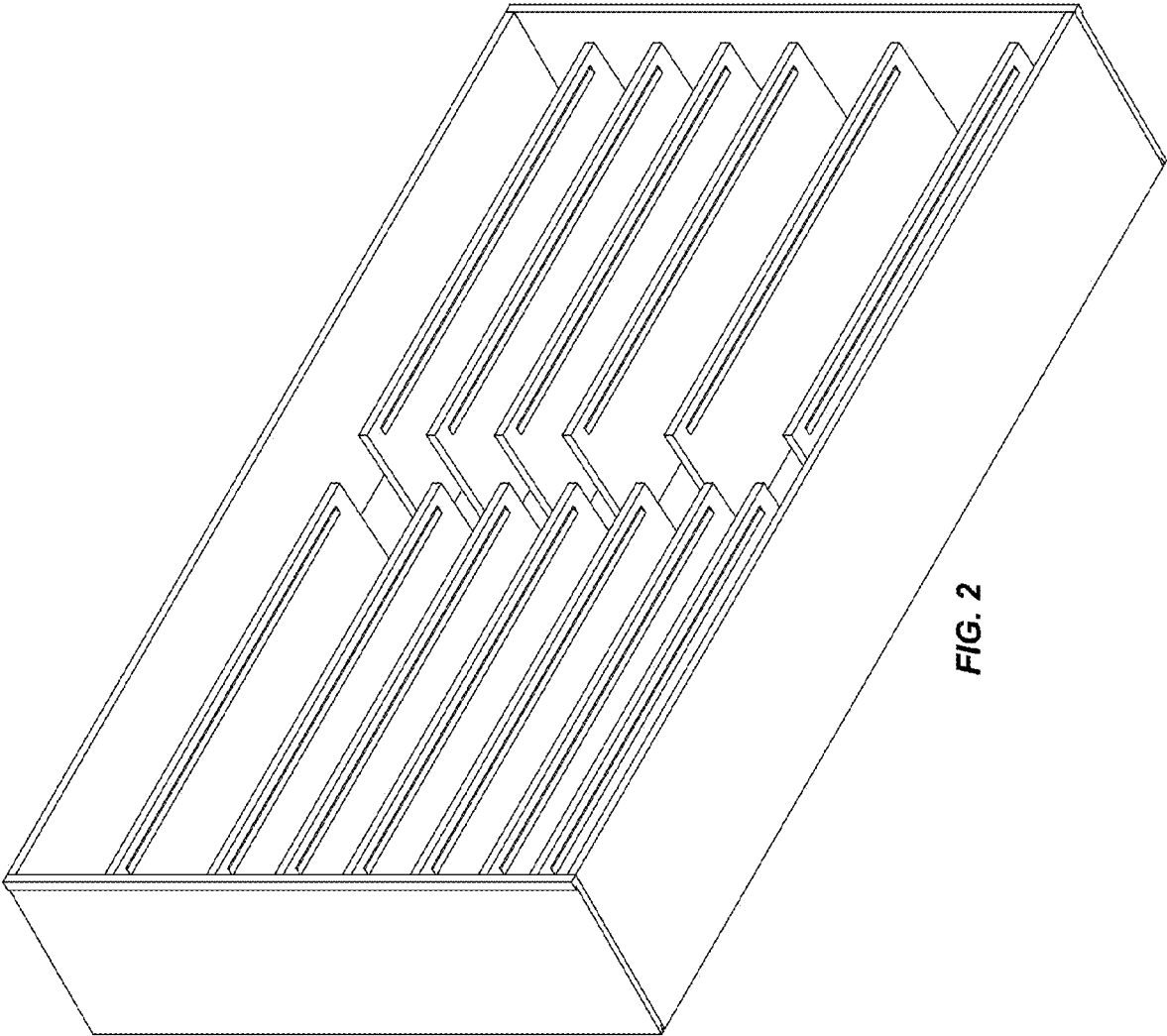


FIG. 2

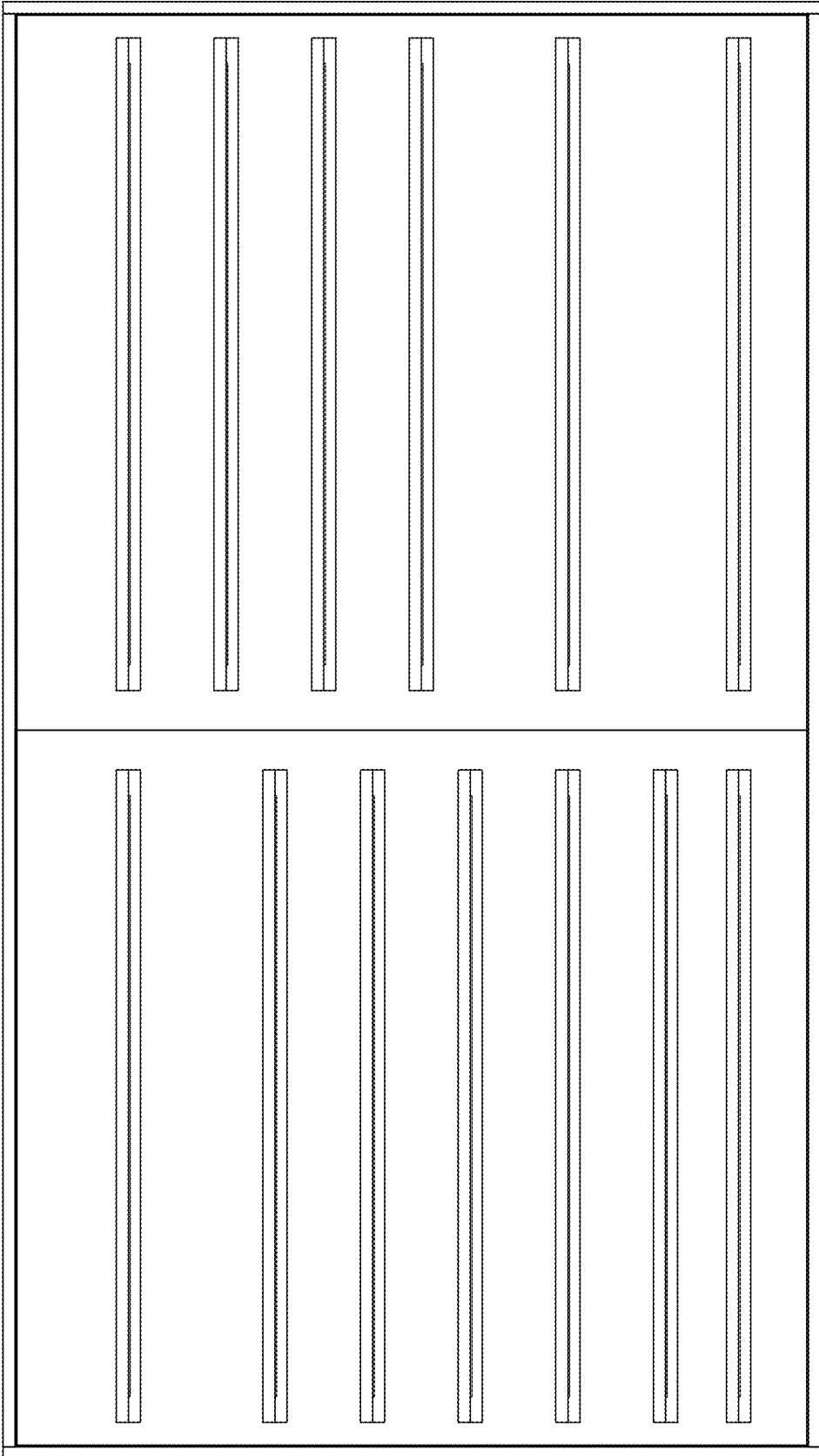


FIG. 3