



US00D566309S

(12) **United States Design Patent**
Kornfeld et al.

(10) **Patent No.:** **US D566,309 S**

(45) **Date of Patent:** **** Apr. 8, 2008**

(54) **FLASHLIGHT**

(75) Inventors: **Joshua M. Kornfeld**, Seattle, WA
(US); **Rosa Yvonne Seda**, Portland, OR
(US); **Rick R. Regan**, Aloha, OR (US);
G. Scott Smith, Portland, OR (US)

(73) Assignee: **Leupold & Stevens, Inc.**, Beaverton,
OR (US)

(**) Term: **14 Years**

(21) Appl. No.: **29/250,064**

(22) Filed: **Oct. 31, 2006**

(51) **LOC (8) Cl.** **26-02**

(52) **U.S. Cl.** **D26/37; D26/49**

(58) **Field of Classification Search** D26/37,
D26/46, 49, 48, 50; 362/157, 158, 183, 184,
362/195, 196, 202, 203, 204, 205, 206, 208
See application file for complete search history.

(56) **References Cited**

U.S. PATENT DOCUMENTS

D468,464 S	1/2003	Galli	
D473,961 S	4/2003	Galli	
D475,798 S	6/2003	Galli	
D476,103 S	6/2003	Galli	
D481,816 S *	11/2003	Sharrah et al.	D26/49
D501,054 S *	1/2005	Galli	D26/37
D504,530 S *	4/2005	Shiu	D26/37
D513,334 S *	12/2005	Galey	D26/37
D521,666 S *	5/2006	Chean	D26/37
D521,667 S *	5/2006	Chean	D26/37
D522,154 S *	5/2006	Man	D26/49

D524,468 S *	7/2006	Chean	D26/37
D525,733 S *	7/2006	Shiao	D26/37
D529,643 S *	10/2006	Kung	D26/37
D536,118 S *	1/2007	Krieger et al.	D26/49
D541,963 S	5/2007	Gustafson et al.	

OTHER PUBLICATIONS

SUREFIRE, L5 Digital LumaMax, http://www.surefire.com/surefire/content/15_large.jpg, before Oct. 29, 2006.
Night-OPS, Gladius LED Flashlight Specification Sheet, www.night-ops.com, before Oct. 2006.

* cited by examiner

Primary Examiner—Ian Simmons

Assistant Examiner—Carissa C Fitts

(74) *Attorney, Agent, or Firm*—Stoel Rives LLP

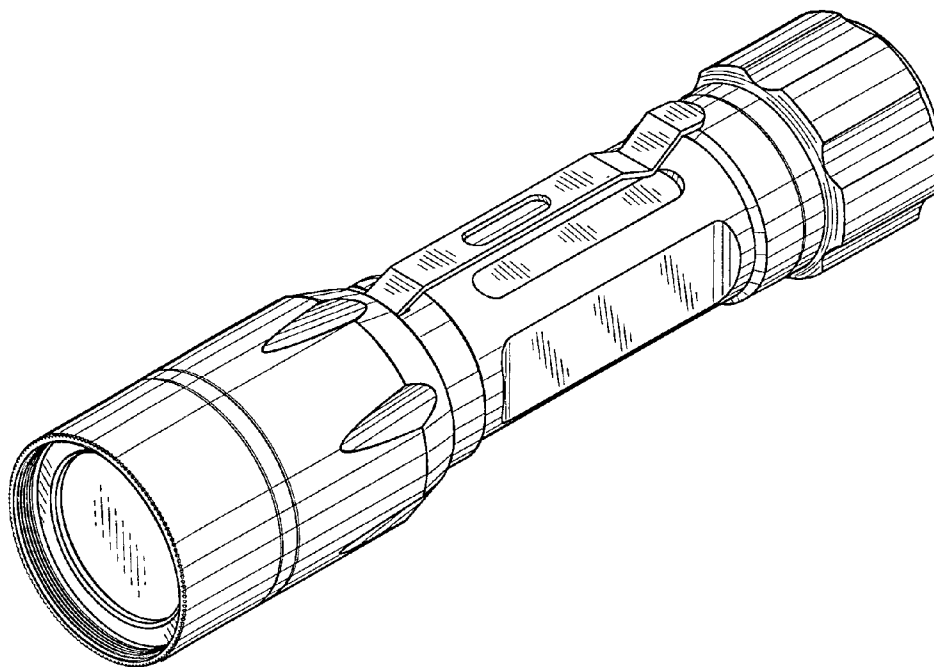
(57) **CLAIM**

We claim the ornamental design for a flashlight, as shown and described.

DESCRIPTION

FIG. 1 is a top perspective view of a flashlight;
FIG. 2 is a bottom perspective view thereof;
FIG. 3 is a top view thereof;
FIG. 4 is a right side view thereof, the left side view (omitted) being a mirror image thereof;
FIG. 5 is an end elevational view thereof;
FIG. 6 is an opposite end elevational view thereof; and,
FIG. 7 is a bottom view thereof.

1 Claim, 3 Drawing Sheets



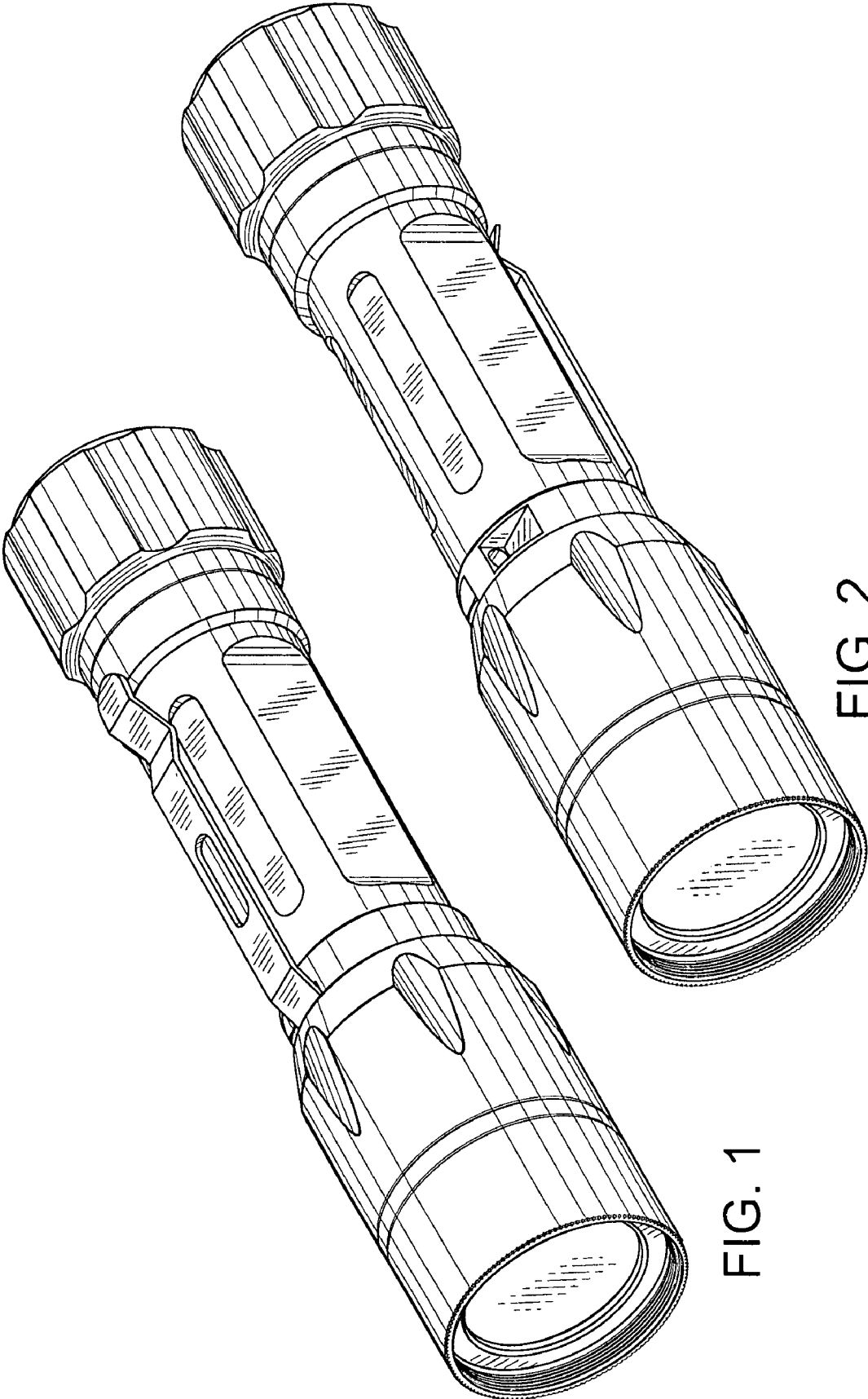
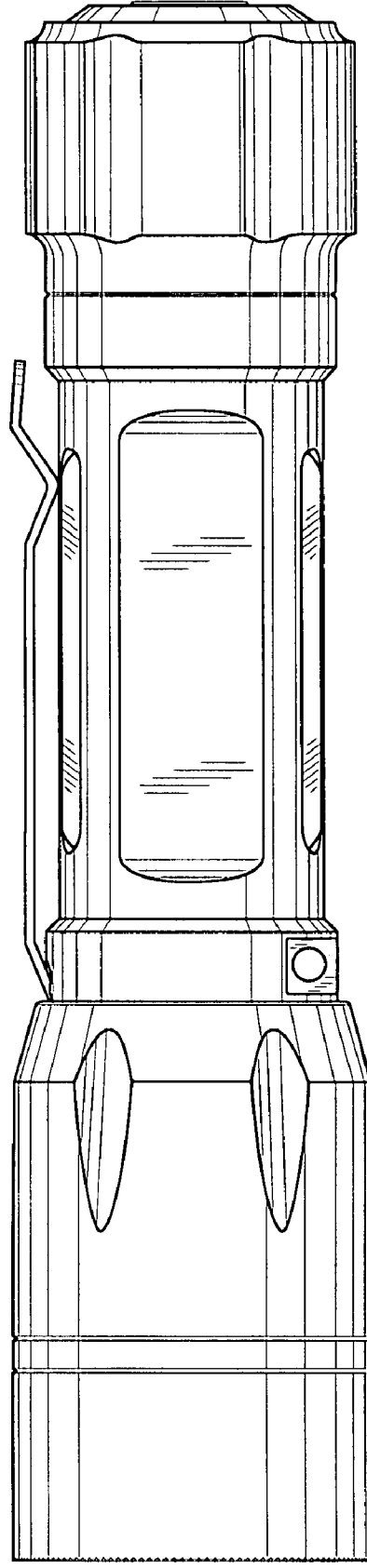
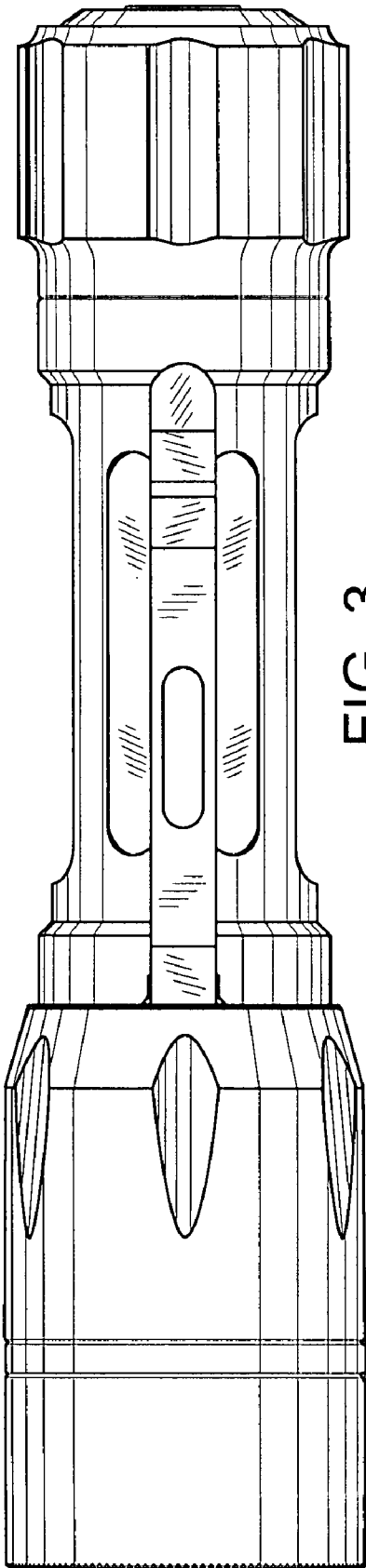


FIG. 1

FIG. 2



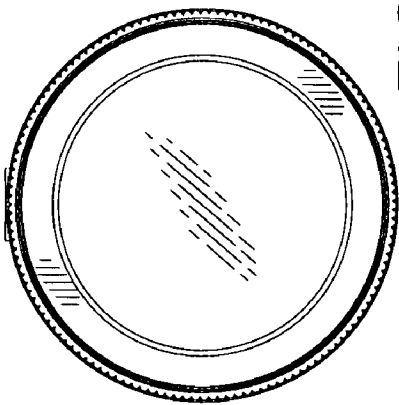


FIG. 5

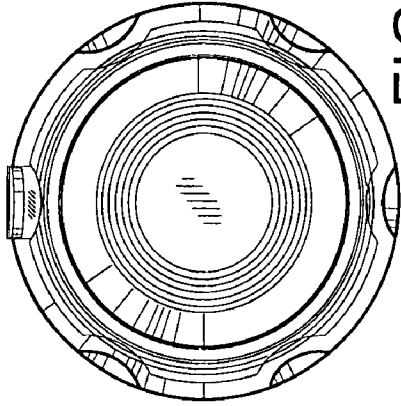


FIG. 6

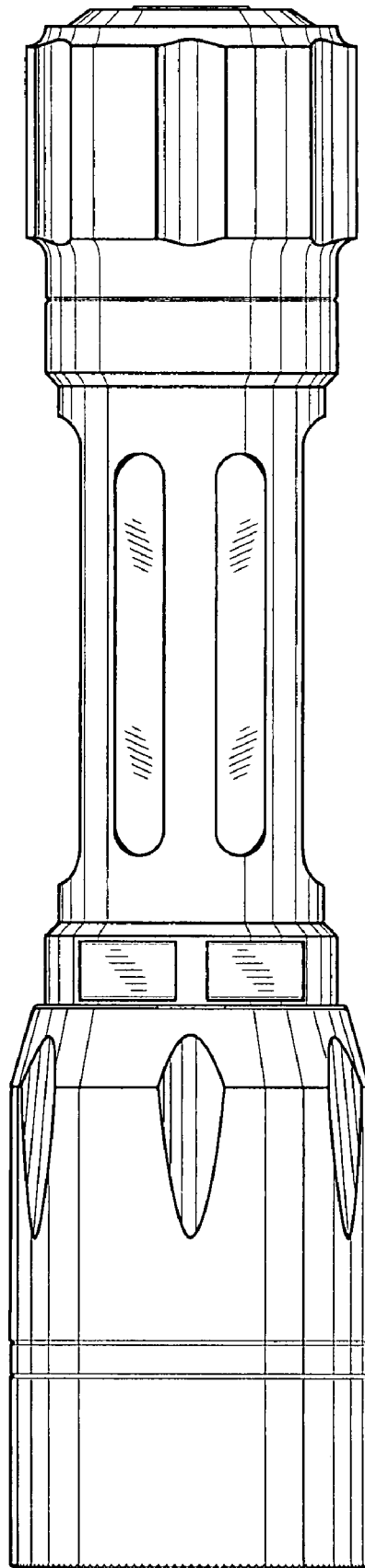


FIG. 7