

(12) UK Patent Application (19) GB (11) 2 217 895 (13) A

(43) Date of A publication 01.11.1989

(21) Application No 8907917.2

(22) Date of filing 07.04.1989

(30) Priority data

(31) 8808229
8810644

(32) 08.04.1988
05.05.1988

(33) GB

(51) INT CL*
G09F 7/02

(52) UK CL (Edition J)
G5C CER

(56) Documents cited
None

(58) Field of search
UK CL (Edition J) G5C CBF CEQ CER CFA
INT CL* G09F

(71) Applicant
Hawes Signs Limited

(Incorporated in the United Kingdom)

Moulton Park, Northampton, NN3 1EU,
United Kingdom

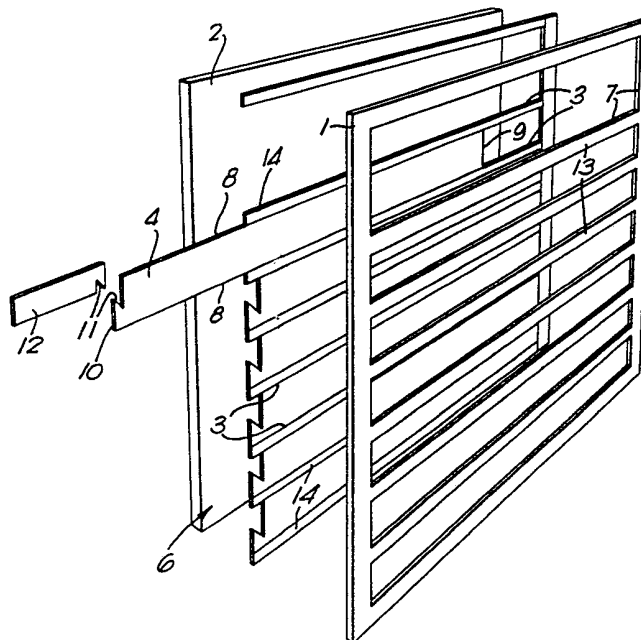
(72) Inventor
P. Laukaitis

(74) Agent and/or Address for Service
James B. King
Kings Patent Agency Limited, 73 Farringdon Road,
London, EC1M 3JB, United Kingdom

(54) Improvements in display signs

(57) A display sign comprises a rear support panel 2 and a front panel 1, sandwiching between them a strip locating means 3 in the form of a plurality of spaced apart parallel bars 14, connected at one side and open at the other side 6. The front panel 1 has a plurality of viewing areas 7 and obscured areas 13. These may be apertures and bars, or clear and opaque areas. Strips 4 are insertable between the bars 14 so that information 5 thereon may be viewed through the areas 7, and the strips 4 each have a notch 11 at a respective end 10 which can be engaged by a matching notch 11a in a tool 12 for removal of the strip.

FIG. 1



GB 2 217 895 A

FIG. 1

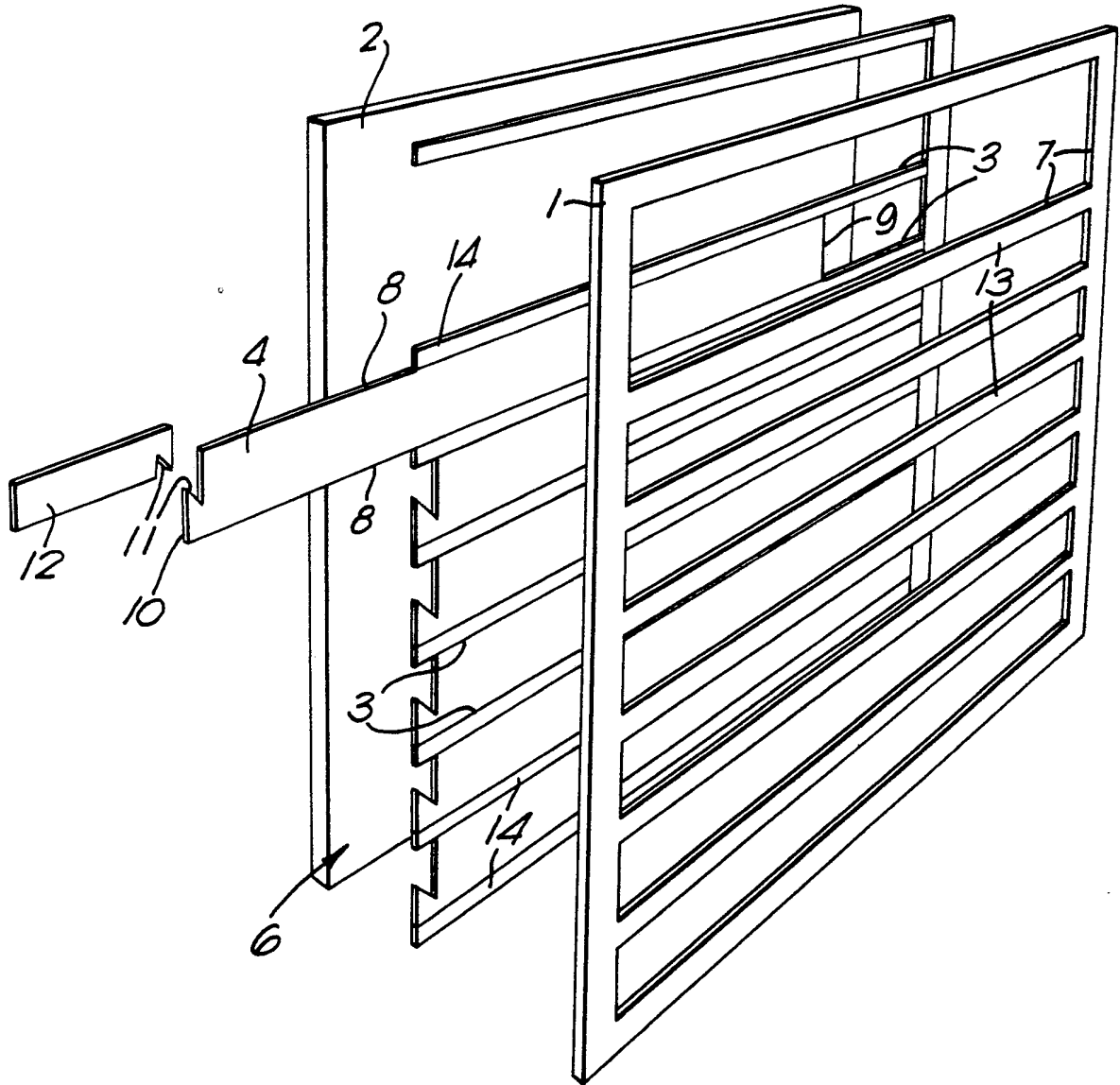
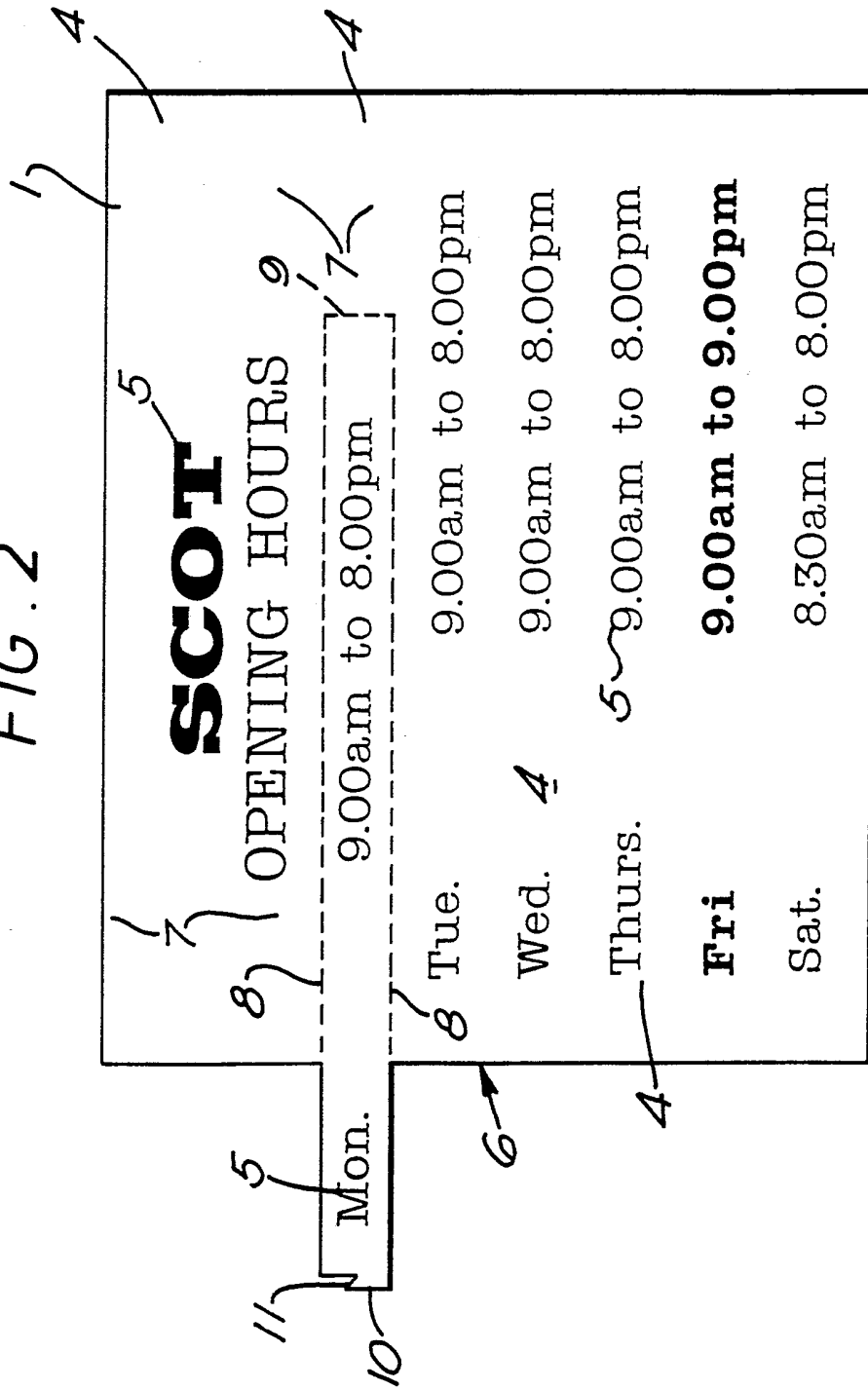


FIG. 2



Improvements In Display Signs

This invention relates to an improved display sign. The invention has for its object the provision of a display sign with enhanced tamper-resistance and convenient means for changing information displayed by the sign.

5 According to this invention there is provided a display sign comprising a front display panel and a rear support panel together with strip locating means for holding at least one elongate strip between said front and rear panels so that information on said strip may be displayed through said front
10 display panel, said strip being insertable within and removable from said locating means through a side opening in the display sign, the front panel being adapted to permit viewing of information displayed on the strip, the front panel and/or strip locating means being adapted to obscure from view the
15 edges of the strip when fully inserted, and the strip being provided at one end with engagement means capable of engaging a removal tool for removing the strip from the sign.

Preferrably the front panel in the display sign includes a plurality of rectangular apertures which may be
20 covered with transparent material. Alternatively the front panel may comprise a transparent or translucent panel with shaded or darkened areas to obscure the strip locating means. The rear panel may be flat and correspond in width and height with the front panel. Conveniently the strip locating means
25 can be affixed between front and rear panels, suitably obscured from view by the front panel.

The invention includes within its scope the combination of a display sign as set out above together with a removal tool which has engagement means co-operable with such means on the strip. The engagement means on the or each strip
5 preferably comprises a notch concealed so that on observing the side opening of the display sign the notch is not clearly visible.

The locating means for the strip may consist of pairs of spaced apart bars in between which the strip or strips
10 can be inserted and removed. such bars may be constructed as a further panel, to be located between the front and rear panels.

The most preferred form of display sign includes a plurality of parallel spaced viewing portions through which
15 information on the strip or strips is visible.

The removal tool may be an elongate member having at one end engagement means, such as a co-operable notch, which can be inserted through the side opening to engage that end of the strip having engagement means and withdraw the strip
20 from the display sign. Thus individual strips are preferably visible in the sign when viewing the front panel and can be easily removed for changing information.

In order that the invention may be illustrated and readily carried into effect, embodiments thereof will now be
25 described by way of example only, with reference to the accompanying drawings in which:-

Fig. 1 is an exploded view of a display sign and removal tool; and

Fig. 2 is a front elevation of an assembled display sign, with one strip partially removed.

5 Referring to Figs. 1 and 2 of the drawing, the display sign comprises a single rectangular front display panel 1, which may be made of e.g. acrylic or PVC plastics material. The panel has shaded or darkened areas 13 which serve to conceal the strip locating means 3 and the edges of
10 the inserted strips and further provide viewing areas 7 to read information 5 on each strip. In an alternative embodiment the front panel may comprise a plurality of parallel slots and bars, the slots forming viewing apertures, which may be glazed with a suitable transparent material, and the bars
15 replacing the darkened areas 13. This embodiment is not separately illustrated as it is identical in appearance.

A plain rear support panel 2 is affixed at the rear of the display sign. Strip locating means 3 in the form of a panel having a plurality of bars 14 defining apertures are
20 provided between the front and rear panels. In the fully assembled sign not only are the strip edges 8, 9, 10 shielded from view when fully inserted, but also the strip locating bars 14, the latter being hidden by correspondingly broader shaded or darkened areas, or bars, 13 in the front panel.

25 Individual strips 4 bearing information 5 are insertable through the side opening 6 into the strip locating means 3.

Information 5 can be observed through the viewing areas 7 in the front display panel 1.

Each strip 4 has engagement means in the form of a downwardly sloping notch 11 at its end 10 nearest the side opening 6 (when fully inserted). A removal tool 12 comprising an elongate member having a thickness less or equal to the thickness of the strip 4, also has engagement means in the form of a notch 11a, being upwardly sloping and co-operable with said notch 11 in the strip.

10 The removal tool is inserted into the side opening 6 and the engagement means coupled, whereupon withdrawal of the tool 12 causes the strip 4 to be withdrawn, for e.g. changing displayed information on that strip, or inserting a different strip.

Claims

1. A display sign comprising a front display panel and a rear support panel together with strip locating means for holding at least one elongate strip between said front and rear panels, so that information on said strip may be displayed
5 through said front display panel, said strip being insertable within and removable from said locating means through a side opening in the display sign, the front panel being adapted to permit viewing of information displayed on the strip, the front panel and/or strip locating means being adapted to
10 obscure from view the edges of the strip when fully inserted, and the strip being provided at one end with engagement means capable of engaging a removal tool for removing the strip from the sign.
2. A display sign according to Claim 1, wherein the front
15 panel includes a plurality of rectangular apertures separated by slats or bars.
3. A display sign according to Claim 1 wherein the front panel comprises a transparent or translucent panel with shaded or darkened areas to obscure the strip locating means.
- 20 4. A display sign according to Claim 2 or 3 wherein the rear panel is flat and corresponds in width and height to the front panel.
5. A display sign according to any preceding Claim wherein the strip locating means is sandwiched between the front and
25 rear panels, and suitably obscured from view by the front panel.

6. A display sign according to Claim 5 wherein the locating means for the or each strip comprises pairs of spaced apart retaining bars in between which the strip or strips can be inserted and removed.

5 7. A display sign according to Claim 6 wherein the bars are constructed as a further panel, to be located between the front and rear panels.

8. A display sign according to any preceding Claim wherein each strip has a notch in one end, and a tool is
10 provided which has a matchingly notched end which can be inserted through the side opening to engage the notched end of the strip and withdraw the strip from the display sign.

9. A display sign substantially as hereinbefore described with reference to and as illustrated in the accompanying
15 drawings.