



US00D577729S

(12) **United States Design Patent**  
**Derry et al.**

(10) **Patent No.:** **US D577,729 S**

(45) **Date of Patent:** **\*\* Sep. 30, 2008**

(54) **BOOM EXTENSION ARM**

(75) Inventors: **Bradley A. Derry**, Easton, PA (US);  
**David VanDuzer**, Topton, PA (US); **Odd N. Oddsen, Jr.**, Easton, PA (US)

(73) Assignee: **Innovative Office Products, Inc.**,  
Easton, PA (US)

(\*\*) Term: **14 Years**

(21) Appl. No.: **29/267,176**

(22) Filed: **Oct. 6, 2006**

(51) **LOC (8) Cl.** ..... **14-03**

(52) **U.S. Cl.** ..... **D14/452**

(58) **Field of Classification Search** ..... D14/451,  
D14/452, 129, 209, 217, 224, 237, 238, 239,  
D14/432, 439, 447, 448; D8/349, 354, 355,  
D8/363, 373, 380; 348/825, 827; 248/176.1,  
248/205.1, 219.2, 220.21, 222.52, 222.51,  
248/274.1, 276.1, 281.11, 284.1, 291.1, 309.1,  
248/323, 324, 349.1, 425, 917, 918, 919,  
248/920, 921, 922, 923, 924

See application file for complete search history.

(56) **References Cited**

**U.S. PATENT DOCUMENTS**

919,777 A	4/1909	Savin et al.	
1,189,754 A	7/1916	Trenaman	
3,721,416 A	3/1973	Goudreau	
3,981,340 A	9/1976	Anderson et al.	
4,166,602 A	9/1979	Nilsen et al.	
4,402,481 A	9/1983	Sasaki et al.	
4,568,052 A	2/1986	Solomon et al.	
4,846,434 A *	7/1989	Krogsrud	248/284.1
4,852,842 A *	8/1989	O'Neill	248/284.1
4,953,822 A	9/1990	Sharber et al.	
5,014,693 A	5/1991	Wright, II et al.	

5,133,547 A	7/1992	Pardi	
5,170,975 A	12/1992	Chadwick	
5,213,292 A	5/1993	Evans	
5,477,283 A	12/1995	Casey	
5,505,424 A *	4/1996	Niemann	248/585

(Continued)

*Primary Examiner*—Cathron Brooks

*Assistant Examiner*—Angela J Lee

(74) *Attorney, Agent, or Firm*—Lerner, David, Littenberg,  
Krumholz & Mentlik, LLP

(57) **CLAIM**

The ornamental design for a boom extension arm, as shown and described.

**DESCRIPTION**

The entire disclosure of U.S. application Ser. No. 11/544,076, including the figures, is hereby expressly incorporated by reference herein.

FIG. 1 is a perspective view of a boom extension arm in accordance with the present invention;

FIG. 2 is a right side elevational view of the boom extension arm of FIG. 1, the left side elevational view being a mirror image of the right side;

FIG. 3 is a front elevational view of the boom extension arm of FIG. 1;

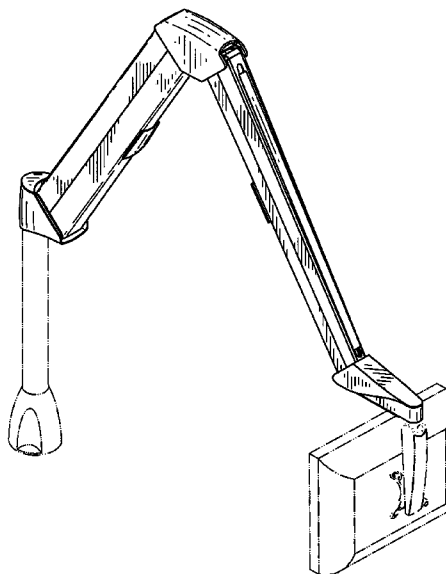
FIG. 4 is a rear elevational view of the boom extension arm of FIG. 1;

FIG. 5 is a top plan view of the boom extension arm of FIG. 1; and,

FIG. 6 is a bottom plan view of the boom extension arm of FIG. 1.

The broken line showing of portions of the design and of environment forms no part of the claimed design.

**1 Claim, 4 Drawing Sheets**



# US D577,729 S

Page 2

---

U.S. PATENT DOCUMENTS			
5,538,214	A *	7/1996	Sinila ..... 248/278.1
5,609,316	A	3/1997	Tigliiev et al.
5,876,008	A	3/1999	Sweere et al.
5,924,665	A	7/1999	Sweere et al.
5,967,479	A	10/1999	Sweere et al.
6,076,785	A	6/2000	Oddsens, Jr.
6,286,794	B1 *	9/2001	Harbin ..... 248/123.2
6,550,734	B1	4/2003	Spadea
6,553,587	B1	4/2003	Barker et al.
D495,240	S *	8/2004	Mnich et al. .... D8/355
6,896,230	B2	5/2005	Cvek
7,188,812	B2 *	3/2007	Wang ..... 248/276.1
D544,489	S *	6/2007	Oddsens et al. .... D14/452
D555,657	S *	11/2007	Loyd ..... D14/452
2002/0088910	A1	7/2002	Sweere et al.
2003/0075653	A1 *	4/2003	Li ..... 248/274.1
2004/0178312	A1 *	9/2004	Parsons ..... 248/276.1
2005/0230585	A1 *	10/2005	Hung ..... 248/278.1
2006/0266903	A1 *	11/2006	Oddsens et al. .... 248/274.1

\* cited by examiner

FIG. 1

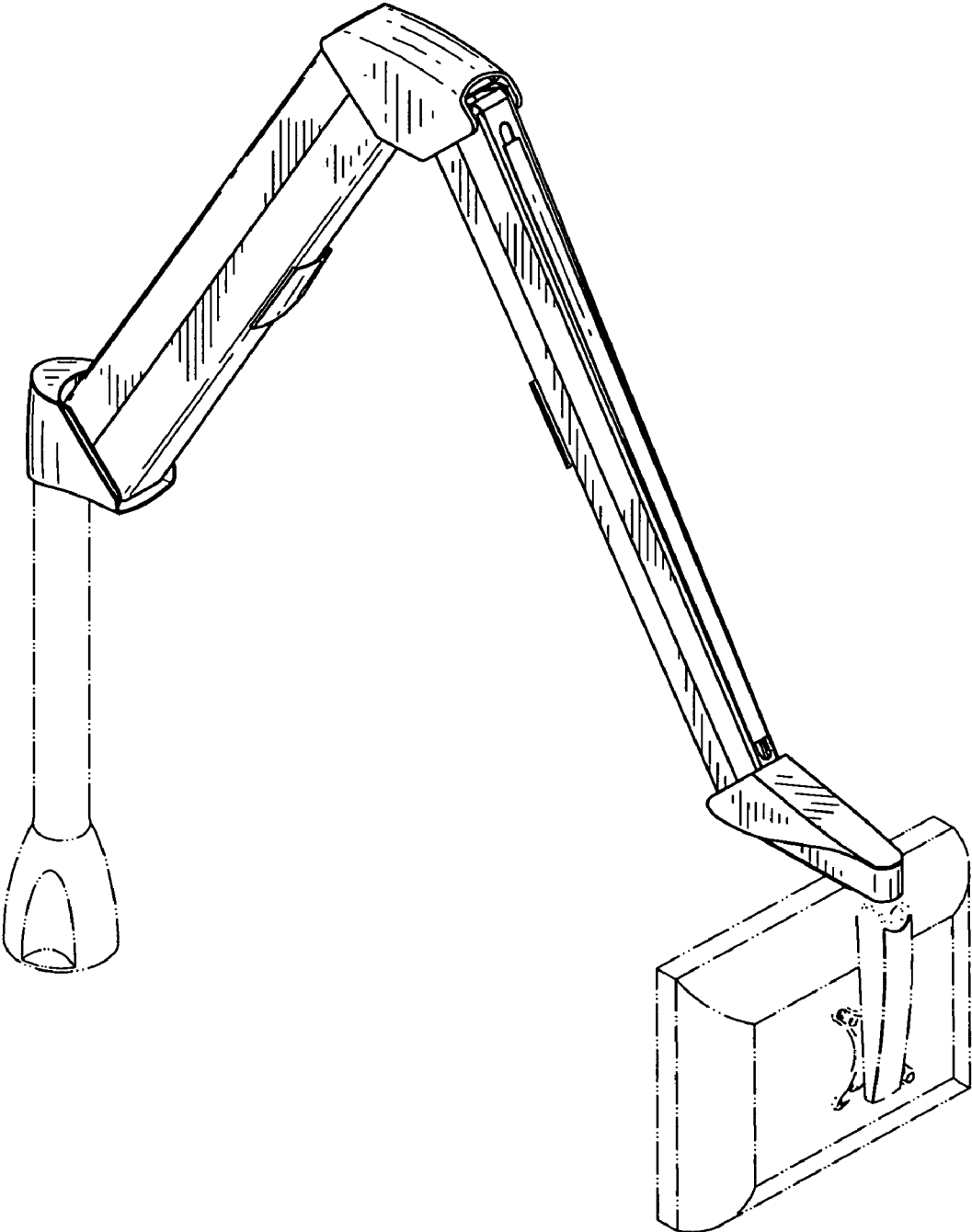


FIG. 2

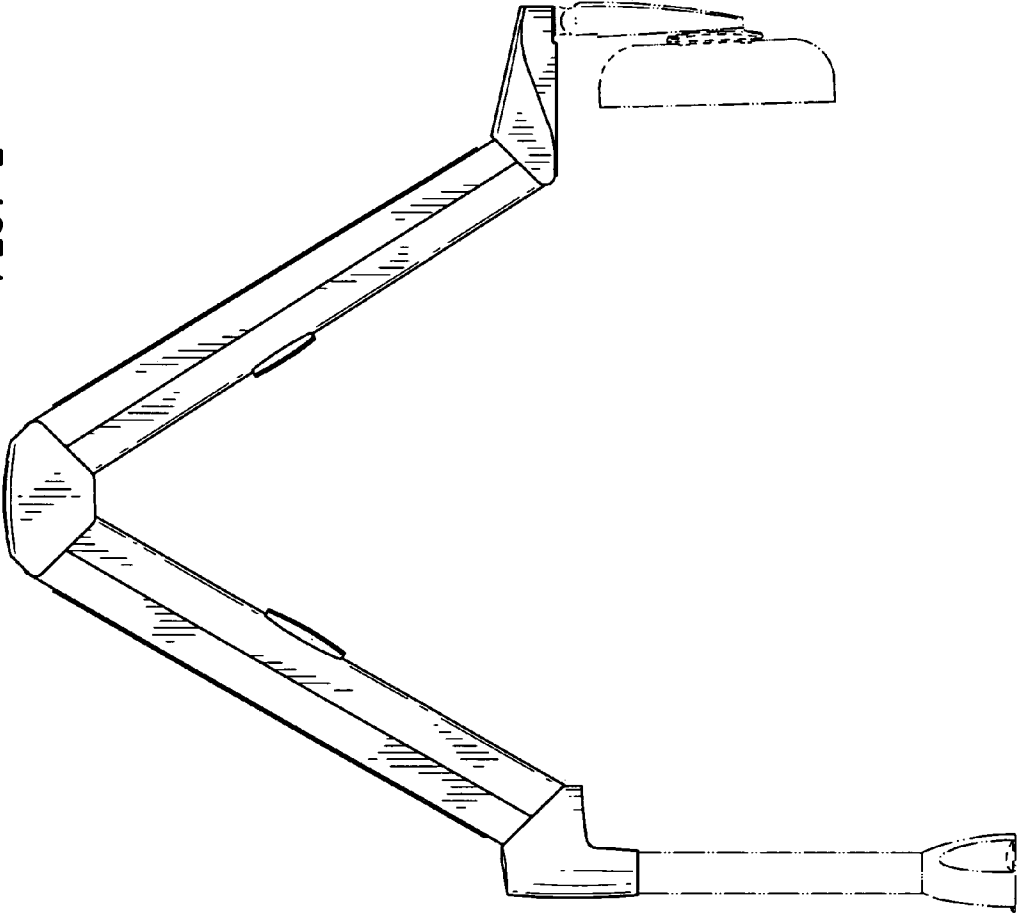


FIG. 3

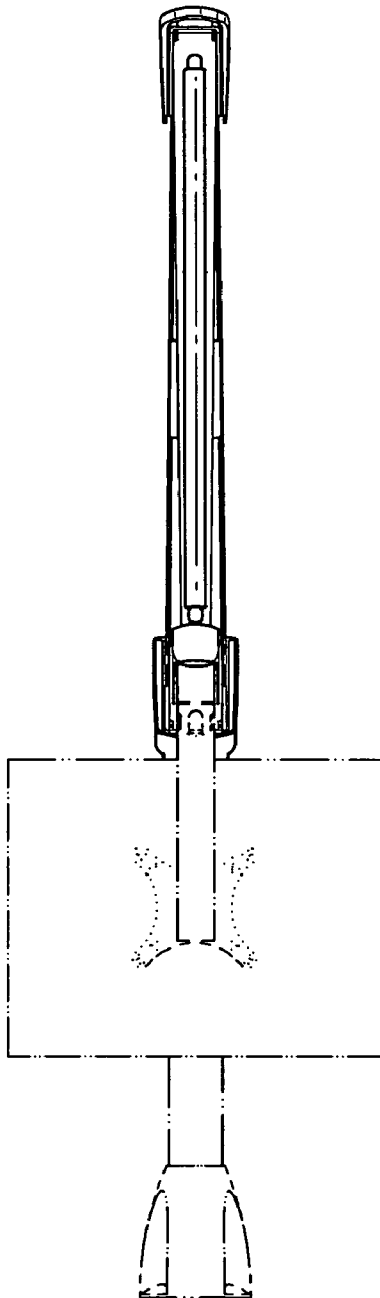


FIG. 4

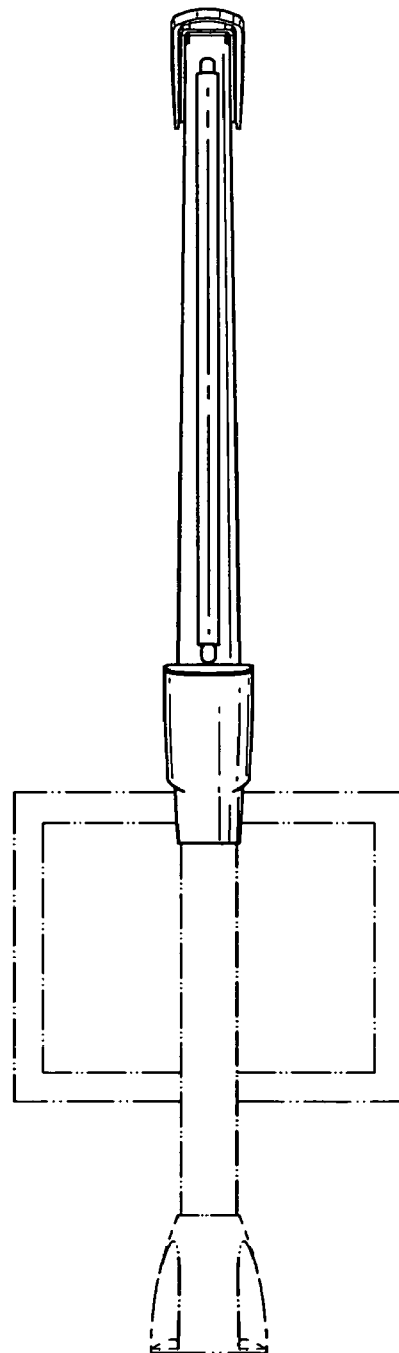


FIG. 5

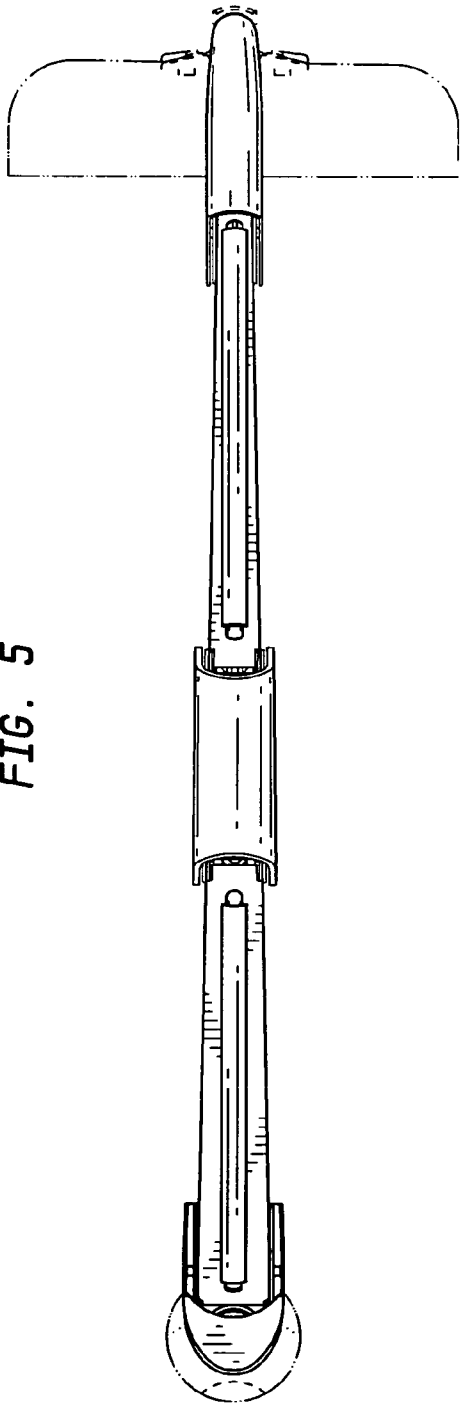


FIG. 6

