



US00D742568S

(12) **United States Design Patent**
Abernethy

(10) **Patent No.:** **US D742,568 S**

(45) **Date of Patent:** **** Nov. 3, 2015**

- (54) **LIGHTING DEVICE**
- (71) Applicant: **Energizer Brands, LLC**, St. Louis, MO (US)
- (72) Inventor: **Todd B. Abernethy**, Skaneateles, NY (US)
- (73) Assignee: **Energizer Brands LLC**, Saint Louis, MO (US)
- (**) Term: **14 Years**

D545,469 S *	6/2007	Wikle et al.	D26/42
D556,926 S *	12/2007	Thirouin	D26/42
D567,977 S *	4/2008	Jianwei	D26/42
D567,978 S *	4/2008	Jianwei	D26/42
D592,784 S *	5/2009	van den Dool	D26/75
D596,326 S *	7/2009	Jiang	D26/42
D626,672 S *	11/2010	De Rubertis	D26/42
D626,673 S *	11/2010	Kovacik et al.	D26/42
D643,560 S *	8/2011	Tompkin	D26/40
D647,651 S *	10/2011	Leen	D26/42
D655,431 S *	3/2012	Leen	D26/42
D656,645 S *	3/2012	Houghton	D26/42
D661,417 S *	6/2012	Kung	D26/42
D684,283 S *	6/2013	Zhou et al.	D26/49

(Continued)

(21) Appl. No.: **29/485,920**

(22) Filed: **Mar. 25, 2014**

(51) **LOC (10) Cl.** **26-02**

(52) **U.S. Cl.**
USPC **D26/42**

(58) **Field of Classification Search**
USPC D26/37, 40, 41, 44, 46, 49; 362/157,
362/158, 183, 184, 194-196, 200-208
CPC F21V 33/00; F21V 14/025; F21V 21/406;
F21Y 2101/02; F21L 2003/00; F21L 2005/00;
F21L 2/00; F21L 4/00; F21L 4/005; F21L
17/00; F21L 13/08
See application file for complete search history.

FOREIGN PATENT DOCUMENTS

CN	300905670	4/2009
CN	301353798	9/2010

(Continued)

Primary Examiner — Ian Simmons
Assistant Examiner — Carissa C Fitts
(74) *Attorney, Agent, or Firm* — McDonald Hopkins LLC

(57) **CLAIM**

I claim the ornamental design for a lighting device, as shown and described.

DESCRIPTION

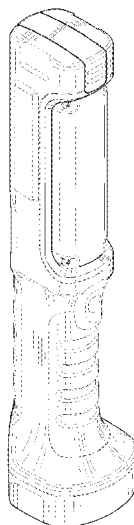
FIG. 1 is a front perspective view of the design;
FIG. 2 is a rear perspective view of the design;
FIG. 3 is a left side view of the design;
FIG. 4 is a right side view of the design;
FIG. 5 is a front view of the design;
FIG. 6 is a back view of the design;
FIG. 7 is a top view of the design;
FIG. 8 is a bottom view of the design; and,
FIG. 9 is another front perspective view of the design with the hook extended.

1 Claim, 5 Drawing Sheets

(56) **References Cited**

U.S. PATENT DOCUMENTS

D367,123 S *	2/1996	Blye	D26/42
D389,931 S *	1/1998	Kovacik et al.	D26/37
D441,888 S *	5/2001	Haneda et al.	D26/42
D501,688 S *	2/2005	Kovacik et al.	D26/42
D515,721 S *	2/2006	Lin	D26/44
D520,164 S *	5/2006	Brass et al.	D26/42
D523,577 S *	6/2006	Bayat et al.	D26/42
D526,077 S *	8/2006	Leen	D26/42
D538,457 S *	3/2007	Kovacik et al.	D26/42
D540,484 S *	4/2007	Bayat et al.	D26/42
D541,962 S *	5/2007	Bayat et al.	D26/42



(56)

References Cited

FOREIGN PATENT DOCUMENTS

U.S. PATENT DOCUMENTS

D689,640	S *	9/2013	Leen	D26/44
D691,310	S	10/2013	Zhou et al.	
D694,445	S *	11/2013	Shiu	D26/40
D703,356	S *	4/2014	Grandadam	D26/44
D707,869	S *	6/2014	Wu	D26/46
D708,376	S *	7/2014	Crowe et al.	D26/37
2006/0120090	A1 *	6/2006	Wikle et al.	362/396

CN	301618751	7/2011
CN	301744408	11/2011
CN	302177699	11/2012
CN	302374861	3/2013
CN	302620600	10/2013
EM	0009574690002	6/2008
EM	0018866980001	7/2011
RU	00072328	9/2009

* cited by examiner

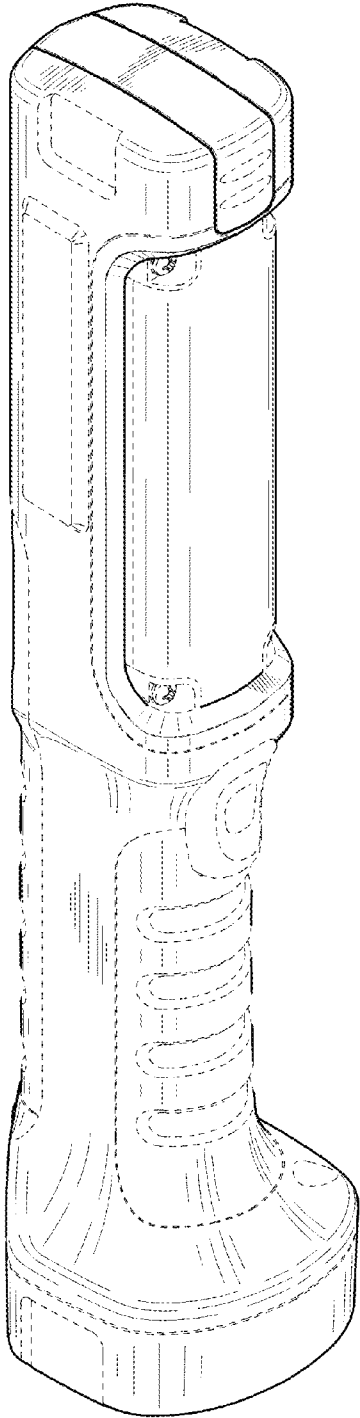


Fig. 1

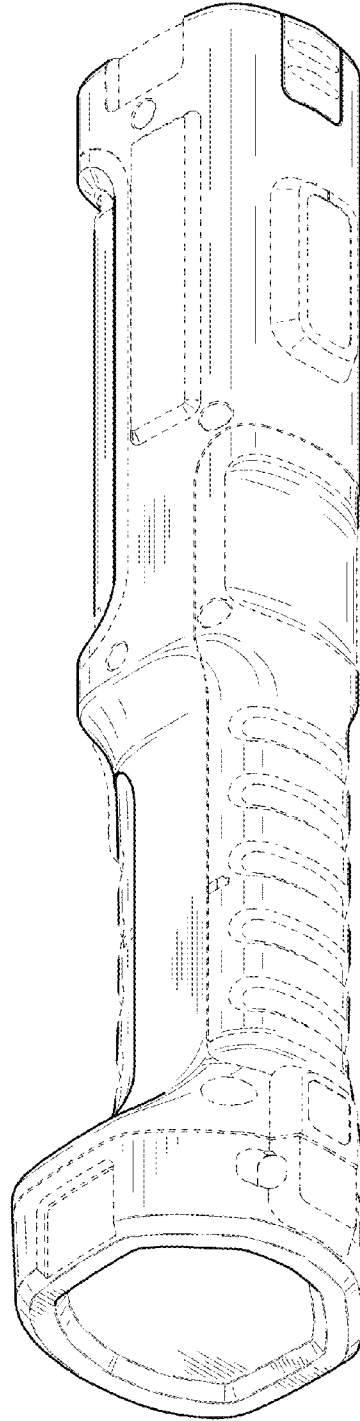


Fig. 2

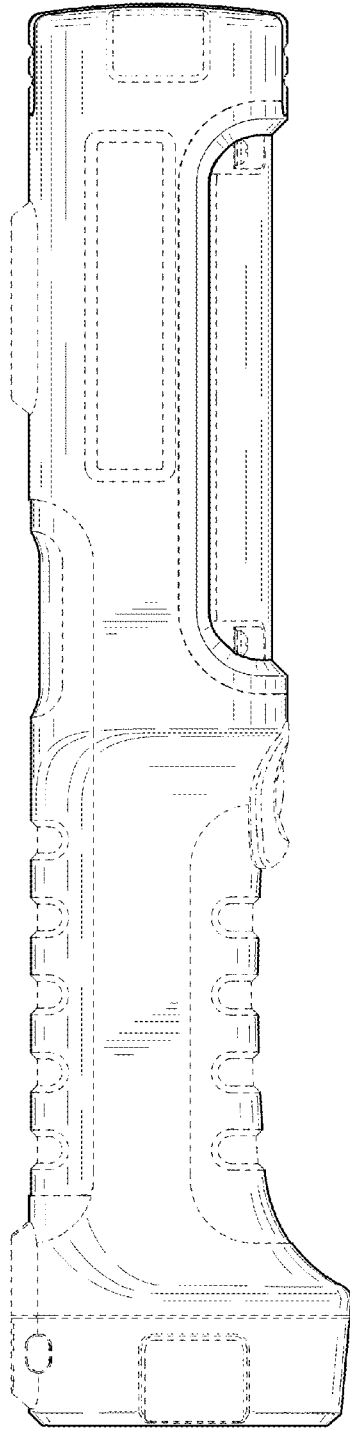


Fig. 3

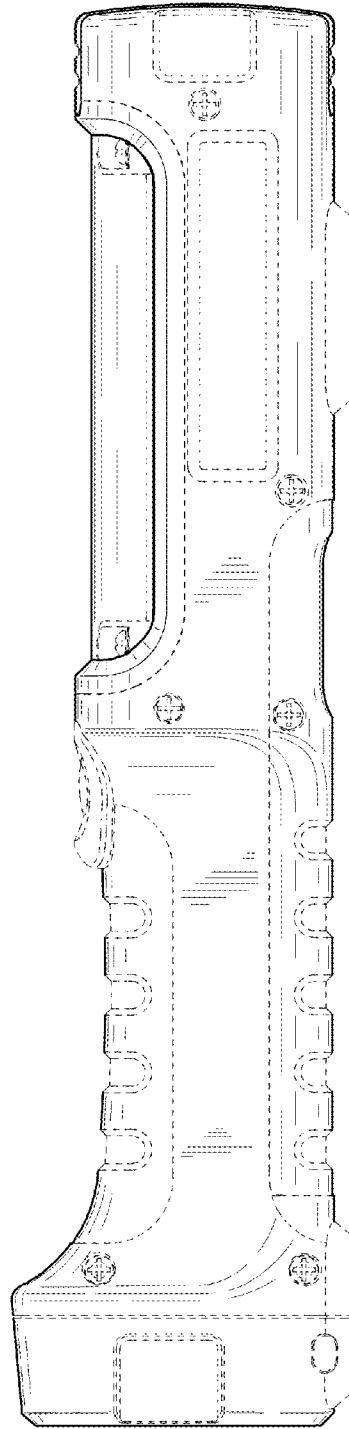


Fig. 4

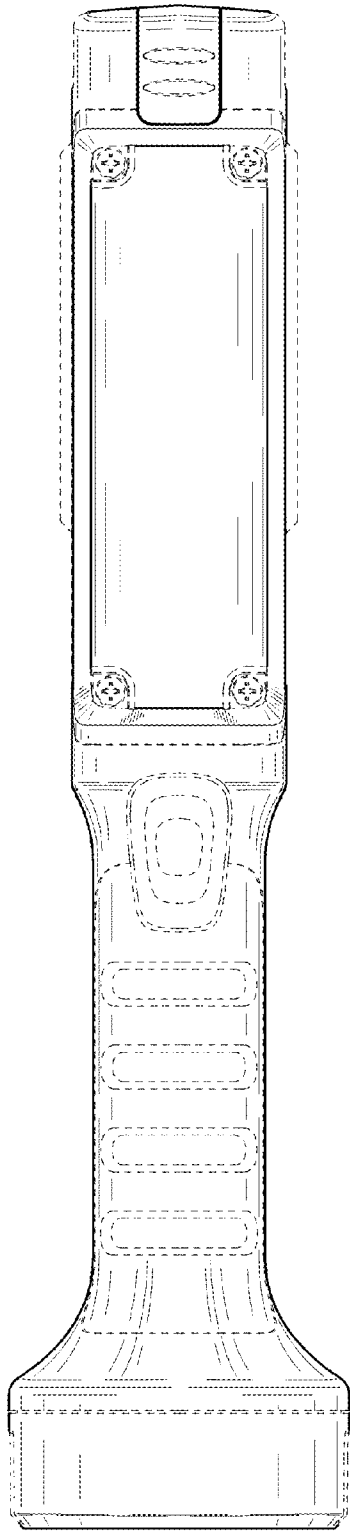


Fig. 5

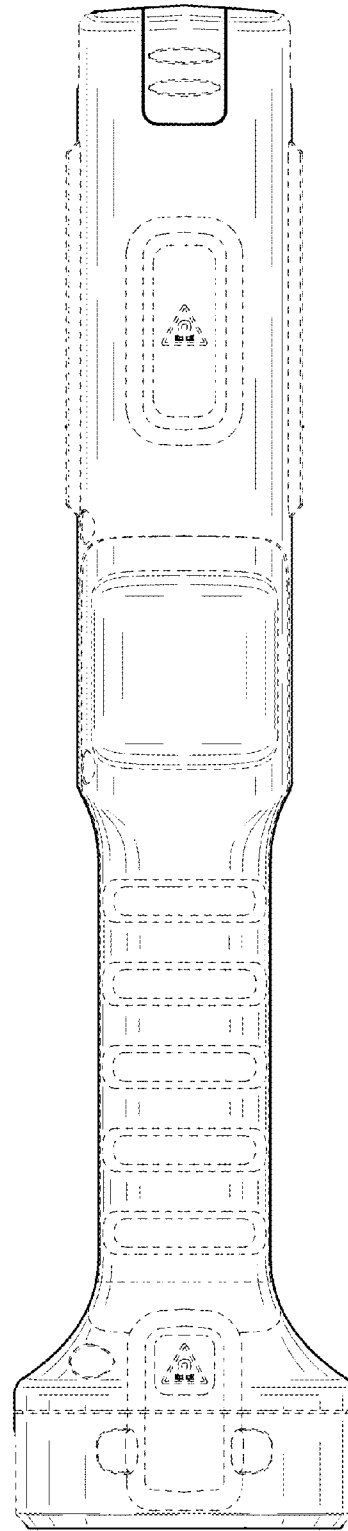


Fig. 6

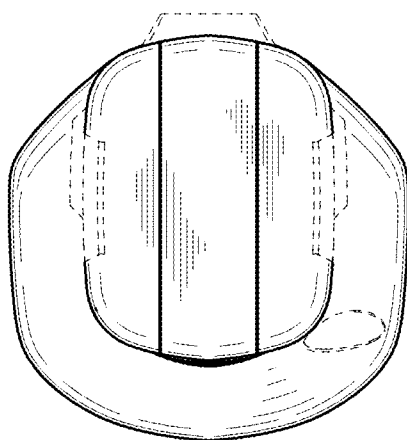


Fig. 7

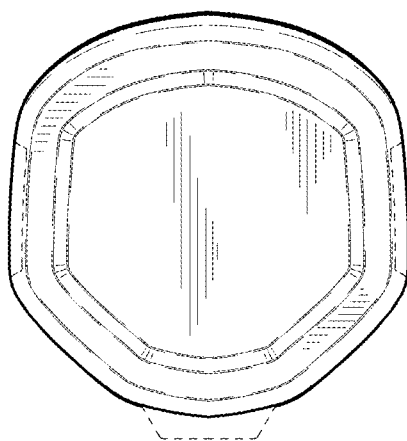


Fig. 8

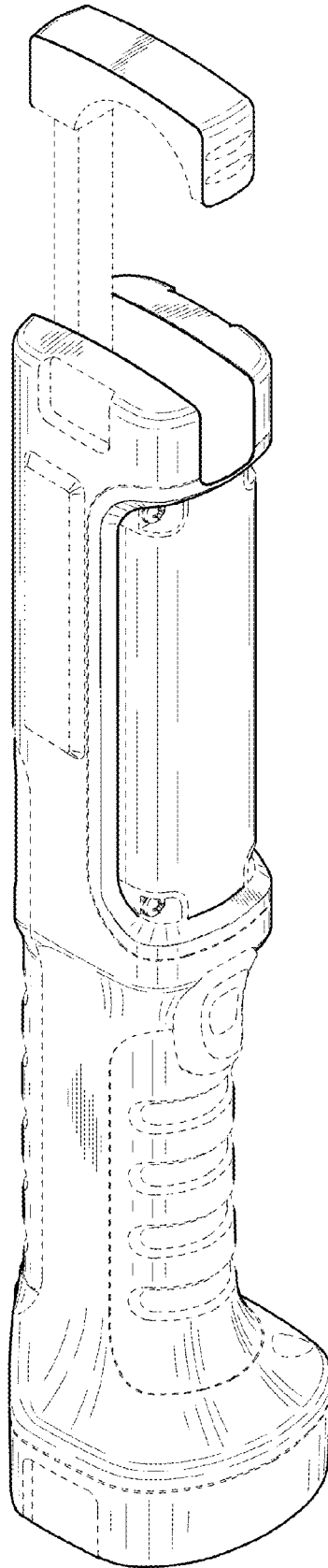


Fig. 9