



US00D747539S

(12) **United States Design Patent**  
**Santoro et al.**

(10) **Patent No.:** **US D747,539 S**  
(45) **Date of Patent:** **\*\* Jan. 12, 2016**

- (54) **LUMINAIRE**
- (71) Applicant: **Fluxwerx Illumination Inc.**, Delta (CA)
- (72) Inventors: **Scott Santoro**, Delta (CA); **Timothy Edward Berman**, Langley (CA); **Lance David Howitt**, Vancouver (CA)
- (73) Assignee: **Fluxwerx Illumination Inc.**, Delta (CA)
- (\*\*) Term: **14 Years**
- (21) Appl. No.: **29/520,325**
- (22) Filed: **Mar. 13, 2015**

**Related U.S. Application Data**

- (62) Division of application No. 29/443,179, filed on Jan. 14, 2013, now Pat. No. Des. 737,500.

- (51) **LOC (10) Cl.** ..... **26-99**
- (52) **U.S. Cl.**  
USPC ..... **D26/120**

(58) **Field of Classification Search**

USPC ..... D26/9, 10, 12, 13, 15, 16, 24, 51, 61, D26/72, 76, 80, 81, 85, 86, 88, 90, 113, 118, D26/119, 120, 122, 128, 129, 138, 143, 144, D26/5, 6, 11, 79, 114, 116, 131, 137, 121, D26/127, 135, 180, 28, 29, 97, 126, 64, 65, D26/124, 125, 132, 84, 87, 69, 62, 1, 2, 134, D26/89, 145, 142, 74, 63; D13/180, 179, D13/133, 113; D10/18, 21, 24, 25, 27, 28, D10/46, 93, 104.1, 113, 114, 116.1, 118; D17/99

CPC ..... B60Q 1/04; B60Q 1/26; F21S 8/026; F21S 8/04; F21S 8/035; F21V 29/004; F21V 21/02; F21V 21/04; F21V 29/2212; F21V 37/002; F21V 7/00; F21V 29/83; F21V 7/22; F21Y 2101/02; F21Y 2103/00; F21L 19/00; F23D 11/443; A61L 9/037; H01R 33/0836; H01R 2103/00; H01R 24/68; G02B 6/4298

See application file for complete search history.

(56) **References Cited**

**U.S. PATENT DOCUMENTS**

3,664,254 A \* 5/1972 Henson ..... F24F 13/00  
165/53

3,741,588 A \* 6/1973 Dotterweich ..... B60D 1/06  
280/491.5

(Continued)

**OTHER PUBLICATIONS**

Frameless pendant luminaire rectangular, image post date 2004, site visited Dec. 16, 2014, (online), <<http://www.architonic.com/pmsht/frameless-luminaire-family-spectra1/1010195>>.\*

(Continued)

*Primary Examiner* — Kevin Rudzinski

*Assistant Examiner* — Sean D Lough

(74) *Attorney, Agent, or Firm* — Oyen Wiggs Green & Mutala LLP

(57) **CLAIM**

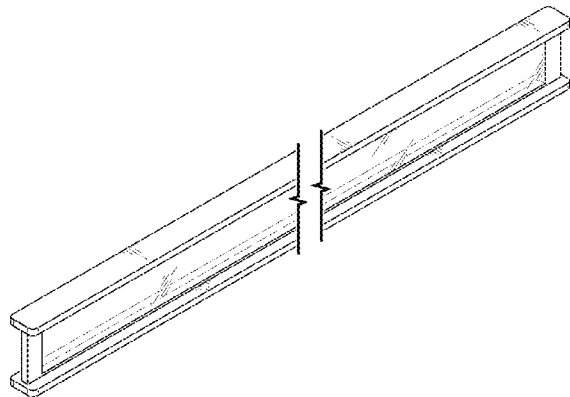
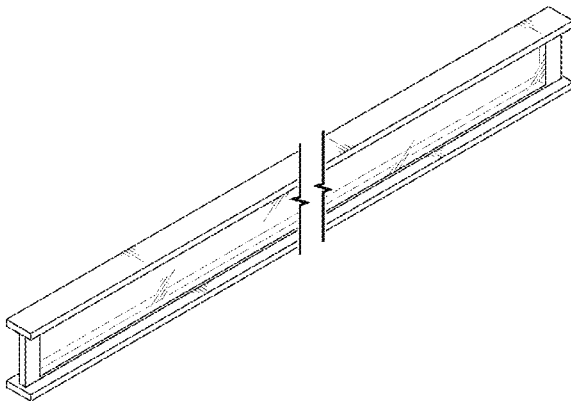
The ornamental design for a luminaire, as shown and described.

**DESCRIPTION**

FIG. 1 is a perspective view of a first embodiment of a luminaire, showing our new design;  
 FIG. 2 is a front view thereof; the rear view being identical thereto;  
 FIG. 3 is a top view thereof;  
 FIG. 4 is a bottom view thereof;  
 FIG. 5 is a left side view thereof;  
 FIG. 6 is a right side view thereof;  
 FIG. 7 is a perspective view of a second embodiment of a luminaire, showing our new design;  
 FIG. 8 is a front view thereof; the rear view being identical thereto;  
 FIG. 9 is a top view thereof;  
 FIG. 10 is a bottom view thereof;  
 FIG. 11 is a left side view thereof; and,  
 FIG. 12 is a right side view thereof.

The luminaire is shown with symbolic break lines along its width. The appearance of any portion of the article between the break lines forms no part of the claimed design. The broken lines present in FIGS. 4 and 10 illustrate portions of the luminaire that form no part of the claimed design.

**1 Claim, 4 Drawing Sheets**



(56)

References Cited

U.S. PATENT DOCUMENTS

3,800,660 A \* 4/1974 Gladwin ..... B23C 1/16  
409/121  
3,807,105 A \* 4/1974 Rudkin, Jr. .... E04B 1/34853  
52/79.7  
3,995,904 A \* 12/1976 Matthews ..... B66C 1/64  
294/104  
4,045,665 A \* 8/1977 Williams ..... F21S 8/035  
362/223  
D251,806 S \* 5/1979 Brady ..... D25/119  
D302,049 S \* 7/1989 Gecchelin ..... D26/122  
D304,173 S \* 10/1989 Frassati ..... D13/155  
D321,063 S \* 10/1991 Neece ..... D26/139  
5,207,504 A \* 5/1993 Swift ..... F21S 8/04  
362/147  
D373,432 S \* 9/1996 Wu ..... D26/28  
D374,295 S \* 10/1996 Farchione ..... D12/114  
D418,936 S \* 1/2000 Dunning ..... D26/3  
D539,945 S \* 4/2007 Egawa ..... D26/24  
D545,483 S \* 6/2007 Mayfield, III ..... D26/118  
D545,991 S \* 7/2007 Mayfield, III ..... D26/118  
7,267,459 B2 \* 9/2007 Matheson ..... F21K 9/00  
362/240  
7,314,295 B2 \* 1/2008 Legat ..... F21V 15/01  
362/223  
D569,542 S \* 5/2008 Toda ..... D26/122  
D580,583 S \* 11/2008 Pfund ..... D26/76  
D581,080 S \* 11/2008 Mier-Langner ..... D26/63  
D584,848 S \* 1/2009 Menke ..... D26/76  
D597,241 S \* 7/2009 Fabbri ..... D26/74  
D599,945 S \* 9/2009 Pfund ..... D26/76  
D602,626 S \* 10/2009 Santoro ..... D26/76  
D608,929 S \* 1/2010 Castelli ..... D26/76  
D608,933 S \* 1/2010 Castelli ..... D26/76  
D612,958 S \* 3/2010 Uemoto ..... D26/1  
D614,792 S \* 4/2010 Fabbri ..... D26/120  
D618,845 S \* 6/2010 Mark ..... D26/113  
D620,189 S \* 7/2010 Hill ..... D26/119  
D621,542 S \* 8/2010 Klus ..... D26/138  
D621,989 S \* 8/2010 Proner ..... D26/76  
D623,149 S \* 9/2010 Peifer ..... D13/180  
D626,268 S \* 10/2010 Santoro ..... D26/76  
D626,278 S \* 10/2010 Sabernig ..... D26/88  
D629,553 S \* 12/2010 Gielen ..... D26/76  
D629,554 S \* 12/2010 Gielen ..... D26/76  
D637,753 S \* 5/2011 Ng ..... D26/78  
D645,192 S \* 9/2011 Chung ..... D26/75  
D645,193 S \* 9/2011 Chung ..... D26/75  
D646,003 S \* 9/2011 Wang ..... D26/24  
D647,246 S \* 10/2011 Chadwick ..... D26/138

8,038,315 B1 \* 10/2011 Santoro ..... F21S 8/061  
362/217.05  
D650,509 S \* 12/2011 Wegger ..... D26/90  
D653,375 S \* 1/2012 Chung ..... D26/75  
D653,786 S \* 2/2012 Chung ..... D26/75  
D653,790 S \* 2/2012 Chung ..... D26/75  
D660,259 S \* 5/2012 Wang ..... D13/180  
D660,497 S \* 5/2012 Chung ..... D26/75  
D660,498 S \* 5/2012 Chung ..... D26/75  
D661,263 S \* 6/2012 Okuwaki ..... D13/180  
D661,422 S \* 6/2012 Ferguson ..... D26/120  
D675,580 S \* 2/2013 Edmond ..... D13/180  
D677,422 S \* 3/2013 Lin ..... D26/120  
D677,423 S \* 3/2013 Reddy ..... D26/128  
D679,860 S \* 4/2013 Maxik ..... D26/141  
D680,679 S \* 4/2013 Kim ..... D26/118  
D681,265 S \* 4/2013 Kim ..... D26/141  
D685,130 S \* 6/2013 Kim ..... D26/141  
D695,951 S \* 12/2013 Miyatake ..... D26/120  
D700,736 S \* 3/2014 Schuyler ..... D26/113  
D702,875 S \* 4/2014 Klus ..... D25/122  
D707,880 S \* 6/2014 Magnusson ..... D26/120  
D711,037 S \* 8/2014 Lehman ..... D26/77  
D711,581 S \* 8/2014 Cho ..... D26/113  
D711,584 S \* 8/2014 Parker ..... D26/120  
D713,088 S \* 9/2014 Kitts ..... D26/85  
D717,990 S \* 11/2014 Nakai ..... D26/120  
D724,261 S \* 3/2015 Klus ..... D26/141  
D724,776 S \* 3/2015 Sonneman ..... D26/85  
D726,361 S \* 4/2015 Rischau ..... D26/107  
D726,362 S \* 4/2015 Kim ..... D13/180  
D727,551 S \* 4/2015 Clark ..... D26/88  
D727,554 S \* 4/2015 Clark ..... D26/90  
D728,153 S \* 4/2015 Blessitt ..... D26/118  
D731,700 S \* 6/2015 Santoro ..... D26/118  
D732,225 S \* 6/2015 Grandsart ..... D26/75  
D732,226 S \* 6/2015 Hartman ..... D26/76  
D733,347 S \* 6/2015 Dungan ..... D26/76  
D733,355 S \* 6/2015 Klus ..... D26/138  
D737,500 S \* 8/2015 Santoro ..... D26/120

OTHER PUBLICATIONS

Ecotoxic Panorama Pro LED Light Strip, image post date Oct. 20, 2012, site visited Sep. 25, 2014 (online), <[http://www.drsofostersmith.com/product/prod\\_display.cfm?pcatid=24727](http://www.drsofostersmith.com/product/prod_display.cfm?pcatid=24727)>.\*  
Prado Mirror from Wayback Machine, image post date Dec. 18, 2012, site visited Dec. 16, 2014, (online), <<http://web.archive.org/web/20121218021303/http://store.luminaire.com/prado-mirror>>.\*  
Vintage Aluminum Level, image post date 1940s, site visited Sep. 7, 2015, (online), <<https://www.etsy.com/listing/220645752/vintage-metal-level-red-level-port?ref=market>>.\*

\* cited by examiner

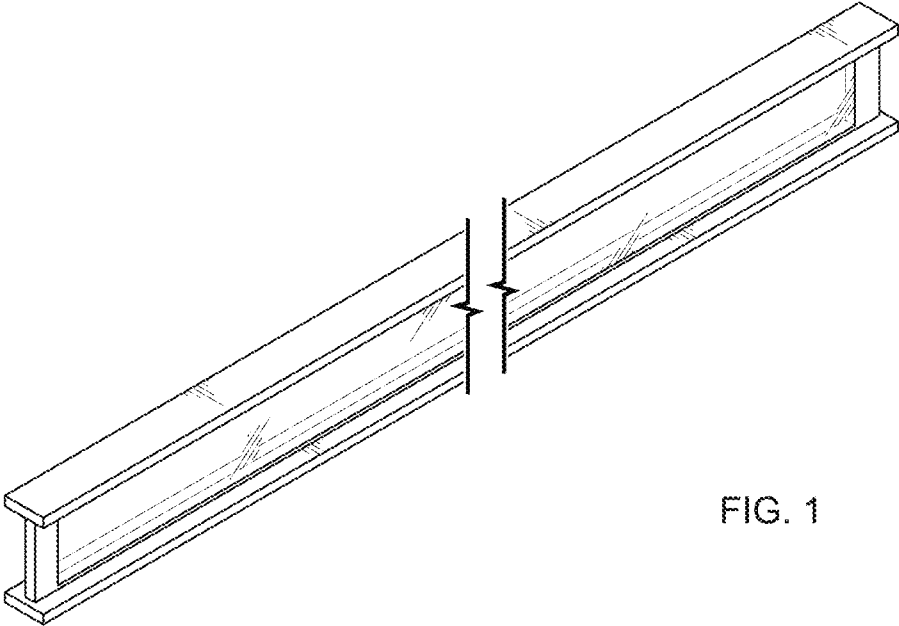


FIG. 1



FIG. 3

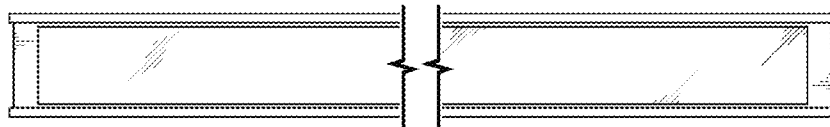


FIG. 2



FIG. 4

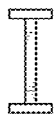


FIG. 5

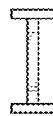


FIG. 6

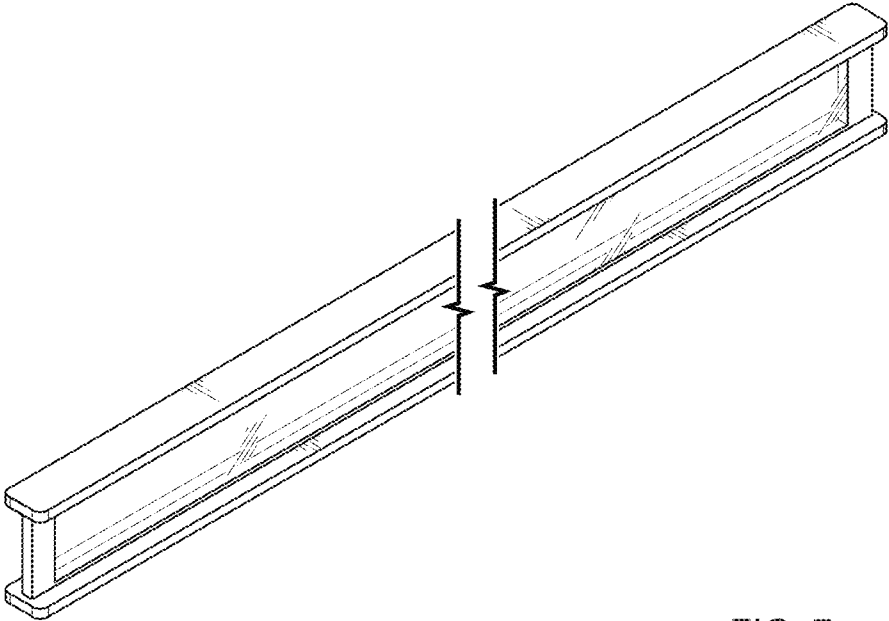


FIG. 7



FIG. 9

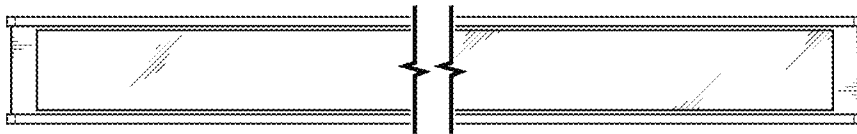


FIG. 8



FIG. 10

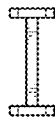
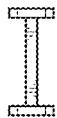


FIG. 11

FIG. 12