

[54] **FLASHLIGHT**
[75] **Inventor: Kevin S. Garrity, Madison, Conn.**
[73] **Assignee: Garrity Industries Communication Corp., Madison, Conn.**
[**] **Term: 14 Years**
[21] **Appl. No.: 233,472**
[22] **Filed: Aug. 17, 1988**
[52] **U.S. Cl. D26/49**
[58] **Field of Search D26/37-50;**
362/157-158, 191-208, 183-190

[56] **References Cited**
U.S. PATENT DOCUMENTS
D. 205,679 9/1966 Moore et al. D26/46
D. 285,356 8/1986 Schosser et al. D26/49
D. 289,930 5/1987 Sano et al. D26/49
D. 292,131 9/1987 Fenne D26/43

D. 296,478 6/1988 Powell et al. D26/49
Primary Examiner—Susan J. Lucas
Assistant Examiner—M. H. Tung
Attorney, Agent, or Firm—Fitzpatrick, Cella, Harper & Scinto

[57] **CLAIM**
The ornamental design for flashlight, as shown and described.

DESCRIPTION
FIG. 1 is a top, front perspective view of a flashlight showing my new design.
FIG. 2 is a left side elevation view thereof, the right side being a mirror image thereof.
FIG. 3 is a plan view thereof.
FIG. 4 is a front elevation view thereof on an enlarged scale.
FIG. 5 is a rear elevation view thereof on an enlarged scale.
FIG. 6 is a bottom plan view thereof.

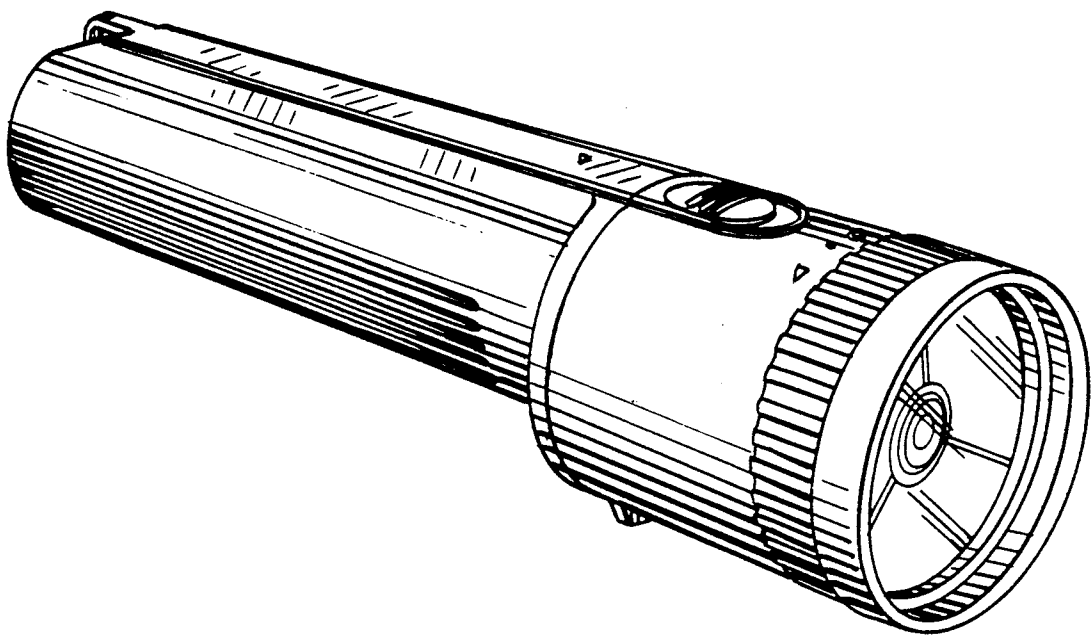


Fig. 1.

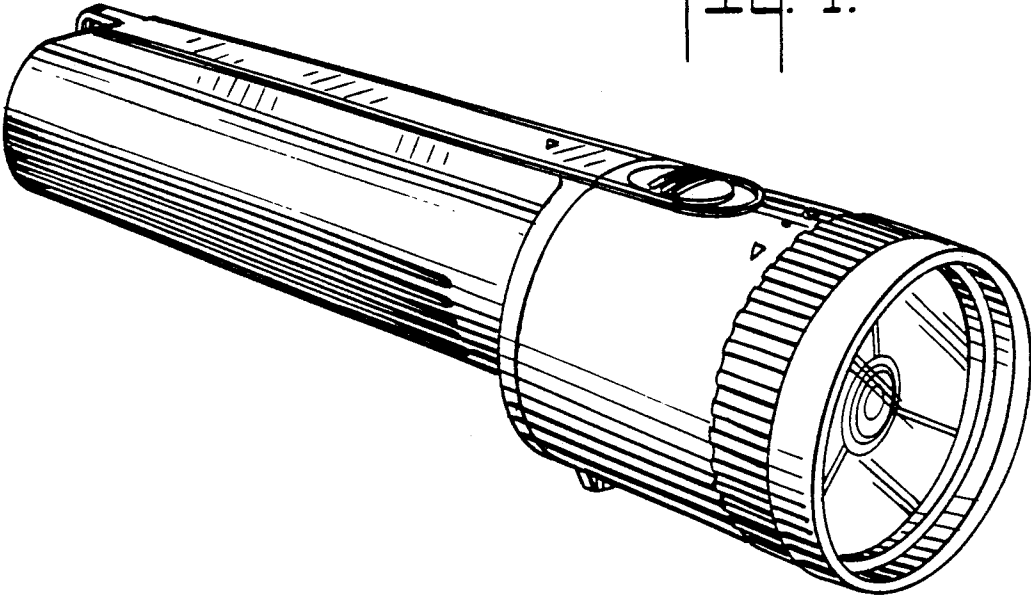


Fig. 2.

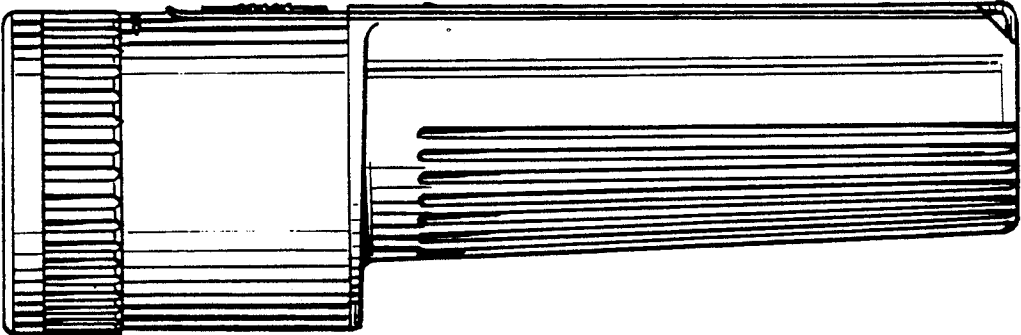


Fig. 3.

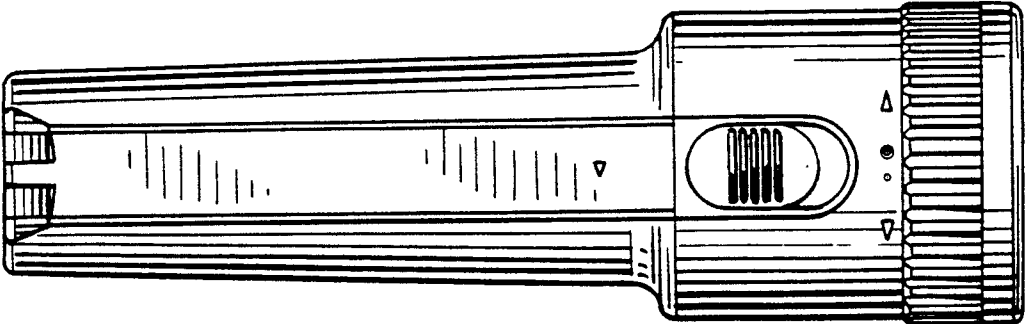


Fig. 4.

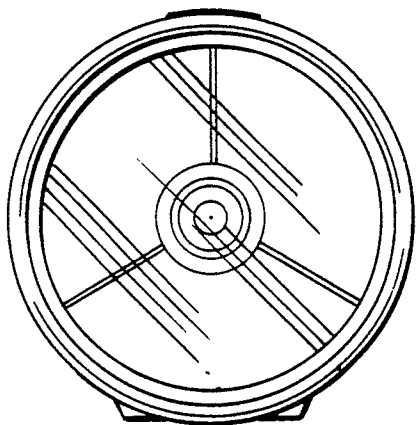


Fig. 5.

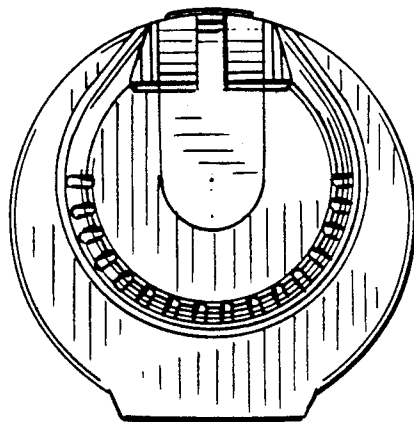


Fig. 6.

