

(19) World Intellectual Property Organization
International Bureau



(43) International Publication Date
25 October 2007 (25.10.2007)

PCT

(10) International Publication Number
WO 2007/120371 A3

(51) International Patent Classification:
A47C 1/035 (2006.01)

(21) International Application Number:

PCT/US2007/001409

(22) International Filing Date: 18 January 2007 (18.01.2007)

(25) Filing Language: English

(26) Publication Language: English

(30) Priority Data:

60/792,367 14 April 2006 (14.04.2006) US
11/483,700 10 July 2006 (10.07.2006) US

(63) Related by continuation (CON) or continuation-in-part (CIP) to earlier application:

US 11/483,700 (CON)
Filed on 10 July 2006 (10.07.2006)

(71) Applicant (for all designated States except US):
LA-Z-BOY INCORPORATED [US/US]; 1284 N.
Telegraph Road, Monroe, Michigan 48126 (US).

(72) Inventor; and

(75) Inventor/Applicant (for US only): LAPOINTE, Larry
P. [US/US]; 1066 Substation Road, Temperance, Michigan
48182 (US).

(74) Agents: KELLER, Paul A. et al.; HARNESS, DICKEY
& PIERCE, P.L.C., P.o. Box 828, Bloomfield Hills, Michi-
gan 48303 (US).

(81) Designated States (unless otherwise indicated, for every
kind of national protection available): AE, AG, AL, AM,
AT, AU, AZ, BA, BB, BG, BR, BW, BY, BZ, CA, CH, CN,
CO, CR, CU, CZ, DE, DK, DM, DZ, EC, EE, EG, ES, FI,
GB, GD, GE, GH, GM, GT, HN, HR, HU, ID, IL, IN, IS,
JP, KE, KG, KM, KN, KP, KR, KZ, LA, LC, LK, LR, LS,
LT, LU, LV, LY, MA, MD, MG, MK, MN, MW, MX, MY,
MZ, NA, NG, NI, NO, NZ, OM, PG, PH, PL, PT, RO, RS,
RU, SC, SD, SE, SG, SK, SL, SM, SV, SY, TJ, TM, TN,
TR, TT, TZ, UA, UG, UZ, VC, VN, ZA, ZM, ZW.

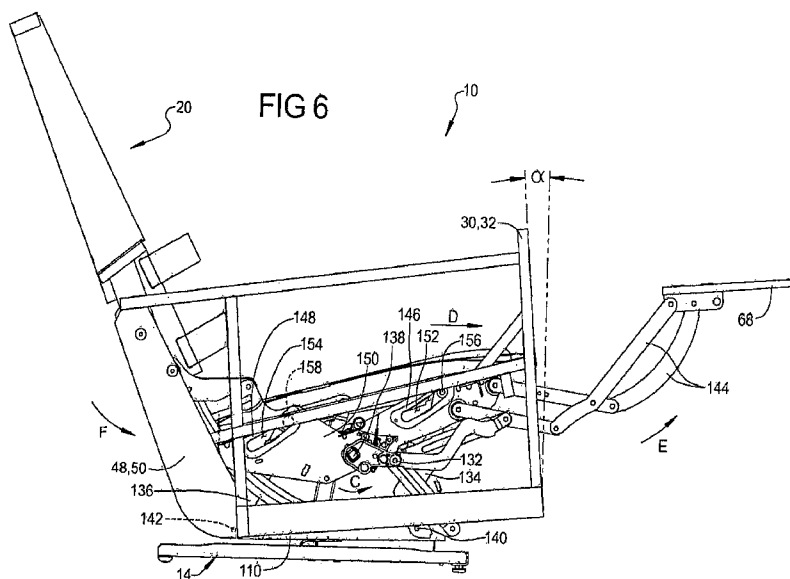
(84) Designated States (unless otherwise indicated, for every
kind of regional protection available): ARIPO (BW, GH,
GM, KE, LS, MW, MZ, NA, SD, SL, SZ, TZ, UG, ZM,
ZW), Eurasian (AM, AZ, BY, KG, KZ, MD, RU, TJ, TM),
European (AT, BE, BG, CH, CY, CZ, DE, DK, EE, ES, FI,
FR, GB, GR, HU, IE, IS, IT, LT, LU, LV, MC, NL, PL, PT,
RO, SE, SI, SK, TR), OAPI (BF, BJ, CF, CG, CI, CM, GA,
GN, GQ, GW, ML, MR, NE, SN, TD, TG).

Declarations under Rule 4.17:

— as to applicant's entitlement to apply for and be granted a
patent (Rule 4.17(ii))

[Continued on next page]

(54) Title: ROCKING RECLINING CHAIR



(57) Abstract: A furniture item includes a support member and a rotatably pinned mechanism operable in rocking and reclining motions. The mechanism includes first and second side plates; a first pair of forward link members each rotatably connected to one of the side plates; a pantograph linkage set connected to the first pair of forward link members to extend and retract a footrest assembly in the reclining motion; and a drive rod rotatable between the side plates. Rotating the drive rod extends or retracts the pantograph linkage set. An escutcheon connected to the drive rod has a snap-engaged handle to manually rotate the drive rod. At least one U-shaped spring connected between the support member and the mechanism allows rocking motion. A seat pan has flat body springs extending over a seat pan aperture to support an occupant. A detent at one end of each flat spring engages the seat pan.

WO 2007/120371 A3



— *as to the applicant's entitlement to claim the priority of the earlier application (Rule 4.17(iii))* — *before the expiration of the time limit for amending the claims and to be republished in the event of receipt of amendments*

Published:

— *with international search report*

(88) Date of publication of the international search report:

6 November 2008

INTERNATIONAL SEARCH REPORT

International application No.

PCT/US07/01409

A. CLASSIFICATION OF SUBJECT MATTER
 IPC: A47C 1/035(2006.01)

USPC: 297/85,183.1,183.9,268.1,270.4,452.49,452.63,463.1,DIG. 7;16/422
 According to International Patent Classification (IPC) or to both national classification and IPC

B. FIELDS SEARCHED

Minimum documentation searched (classification system followed by classification symbols)
 U.S. : Please See Continuation Sheet

Documentation searched other than minimum documentation to the extent that such documents are included in the fields searched

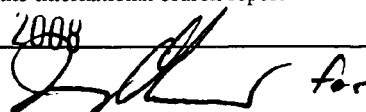
Electronic data base consulted during the international search (name of data base and, where practicable, search terms used)

C. DOCUMENTS CONSIDERED TO BE RELEVANT

Category *	Citation of document, with indication, where appropriate, of the relevant passages	Relevant to claim No.
Y	US 5,800,010 A (MAY) 01 September 1998 (01.09.98), see figs. 2-8	1-34
Y	US 4,595,233 A (FOX) 17 June 1986 (17.06.86), see figs. 1-7	1,6,8
Y	US 4,183,494 A (CLEVELAND) 15 January 1980 (15.01.80), see fig. 5	2-5,7,9,10,15,16
Y	US 5,328,235 A (SAUL ET AL) 12 July 1994 (12.07.94), see figs. 1-6	11,12
Y	US 3,096,121 A (KNABUSCH ET AL) 02 July 1963 (02.07.63), see figs. 1-14`	11,12
Y	US 2004/0245840 A (TUBERGEN ET AL) 09 December 2004 (09.12.04), see figs. 7,50-58A	17,21-26
Y	US 2,870,823 A (STAPLES) 27 January 1959 (27.01.59), see figs. 1-11	17,21-26

Further documents are listed in the continuation of Box C. See patent family annex.

* Special categories of cited documents:	"T"
"A" document defining the general state of the art which is not considered to be of particular relevance	later document published after the international filing date or priority date and not in conflict with the application but cited to understand the principle or theory underlying the invention
"E" earlier application or patent published on or after the international filing date	"X" document of particular relevance; the claimed invention cannot be considered novel or cannot be considered to involve an inventive step when the document is taken alone
"L" document which may throw doubts on priority claim(s) or which is cited to establish the publication date of another citation or other special reason (as specified)	"Y" document of particular relevance; the claimed invention cannot be considered to involve an inventive step when the document is combined with one or more other such documents, such combination being obvious to a person skilled in the art
"O" document referring to an oral disclosure, use, exhibition or other means	"&" document member of the same patent family
"P" document published prior to the international filing date but later than the priority date claimed	

Date of the actual completion of the international search 01 August 2008 (01.08.2008)	Date of mailing of the international search report 05 SEP 2008
Name and mailing address of the ISA/US Mail Stop PCT, Attn: ISA/US Commissioner for Patents P.O. Box 1450 Alexandria, Virginia 22313-1450 Facsimile No. (571) 273-3201	Authorized officer Peter R. Brown  Telephone No. 571-272-6853

INTERNATIONAL SEARCH REPORT

International application No.
PCT/US07/01409

C (Continuation). DOCUMENTS CONSIDERED TO BE RELEVANT

Category *	Citation of document, with indication, where appropriate, of the relevant passages	Relevant to claim No.
Y	US 3,880,413 A (PLATT ET AL) 29 April 1975 (29.04.75), see figs. 1,2	17,21-26
Y	US 4,161,891 A (BOSSERT) 24 July 1979 (24.07.79), see figs. 1-15	27-34
Y	US 4,593,430 A (SPANGLER ET AL) 10 June 1986 (10.06.86), see figs. 1-13	27-34

INTERNATIONAL SEARCH REPORT

International application No.

PCT/US07/01409

Continuation of B. FIELDS SEARCHED Item 1:

297/69,83,85,183.1,183.9,258.1,264.1,268.1,270.1,270.2,270.4,452.49,452.52,452.63,463.1,463.2, Dig. 7;
16/110.1,111.1,422,429, Dig. 23, Dig. 24