



US00D917760S

(12) **United States Design Patent**
Lissoni

(10) **Patent No.:** **US D917,760 S**

(45) **Date of Patent:** **** Apr. 27, 2021**

- (54) **LIGHT FIXTURE**
- (71) Applicant: **ANTARES ILUMINACIÓN, S.A.,**
Valencia (ES)
- (72) Inventor: **Piero Lissoni,** Valencia (ES)
- (73) Assignee: **ANTARES ILUMINACIÓN, S.A.,**
Valencia (ES)
- (**) Term: **15 Years**
- (21) Appl. No.: **29/696,462**
- (22) Filed: **Jun. 27, 2019**
- (51) **LOC (13) Cl.** **26-03**
- (52) **U.S. Cl.**
USPC **D26/72; D26/82; D26/90**
- (58) **Field of Classification Search**
USPC **D26/72, 80–86, 88, 90**
CPC **F21S 8/04; F21S 8/043; F21S 8/046; F21S**
8/06; F21S 8/061; F21S 8/063; F21S
8/065; F21S 8/066; F21S 8/068
See application file for complete search history.

- 2015/0055344 A1* 2/2015 Van Hoof F21S 2/005
362/249.03
- 2017/0030561 A1* 2/2017 Dix F21S 2/005
- 2017/0198895 A1* 7/2017 Sonneman F21S 8/065
- 2019/0162397 A1* 5/2019 Sonneman F21V 23/002
- 2019/0211983 A1* 7/2019 Shine F21S 8/043
- 2020/0263859 A1* 8/2020 Kinsley F21V 21/005
- 2020/0393099 A1* 12/2020 Yaphe F21V 21/005

OTHER PUBLICATIONS

Still by Delta—LED swivel pendant light designed by Nathalie Dewez found at <https://www.archiproducts.com/en/products/delta-light/led-swivel-pendant-lamp-still_449265> visited Dec. 31, 2020. (Year: 2020).*

DEALBUHK 5-Light Sputnik Chandelier available on amazon.co.uk Jul. 2, 2020. (Year: 2020).*

ZHANGRONG—Chandelier available at amazon.it Sep. 21, 2017. (Year: 2017).*

* cited by examiner

Primary Examiner — Clare E Heflin

(74) *Attorney, Agent, or Firm* — Rothwell, Figg, Ernst & Manbeck, P.C.

(57) **CLAIM**

The ornamental design for the light fixture, as shown and described.

DESCRIPTION

FIG. 1 is a perspective view of the bottom, front, and right side of the light fixture;

FIG. 2 is a right side view of the light fixture;

FIG. 3 is a left side view of the light fixture;

FIG. 4 is a front view of the light fixture;

FIG. 5 is a rear view of the light fixture;

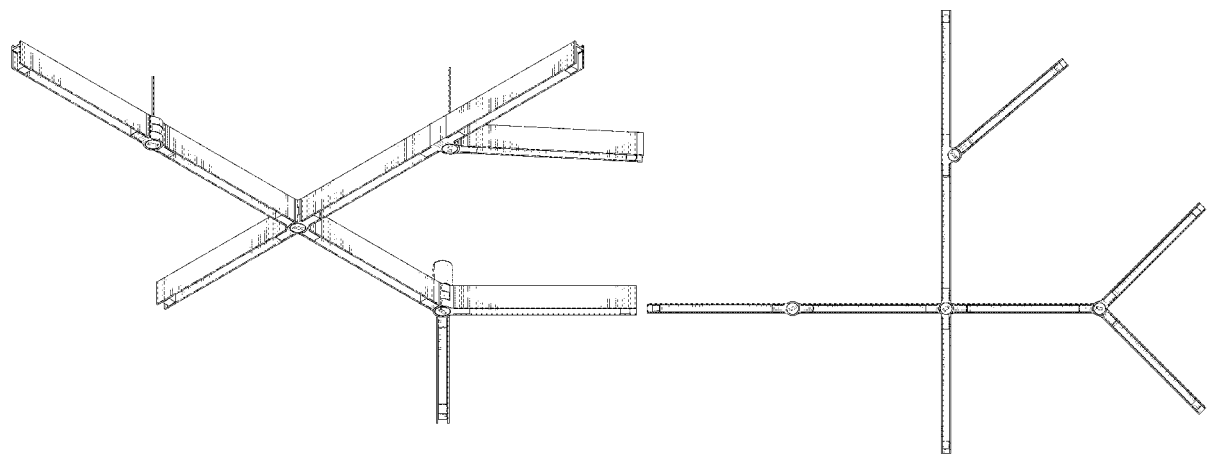
FIG. 6 is a bottom view of the light fixture;

FIG. 7 is a top view of the light fixture; and,

FIG. 8 is a perspective view of the top, front, and right side of the light fixture.

1 Claim, 6 Drawing Sheets

- (56) **References Cited**
- U.S. PATENT DOCUMENTS
- | | | | | |
|------------------|---------|------------|-------|--------------------------|
| D240,653 S * | 7/1976 | Eftekhar | | D26/80 |
| D619,291 S * | 7/2010 | Thevenot | | D26/75 |
| D761,478 S * | 7/2016 | Ng | | D26/80 |
| D761,990 S * | 7/2016 | Ng | | D26/80 |
| D773,714 S * | 12/2016 | Sonneman | | D26/84 |
| D775,397 S * | 12/2016 | Sonneman | | D26/90 |
| D792,633 S * | 7/2017 | Sonneman | | D26/90 |
| D793,605 S * | 8/2017 | Cartwright | | D26/81 |
| D800,369 S * | 10/2017 | Sonneman | | D26/84 |
| D828,607 S * | 9/2018 | Sonneman | | D26/81 |
| D829,954 S * | 10/2018 | Sonneman | | D26/80 |
| D862,767 S * | 10/2019 | Pomputius | | D26/81 |
| D876,702 S * | 2/2020 | Genovese | | D26/90 |
| 2014/0334140 A1* | 11/2014 | Chiu | | F21S 6/005 362/217.17 |



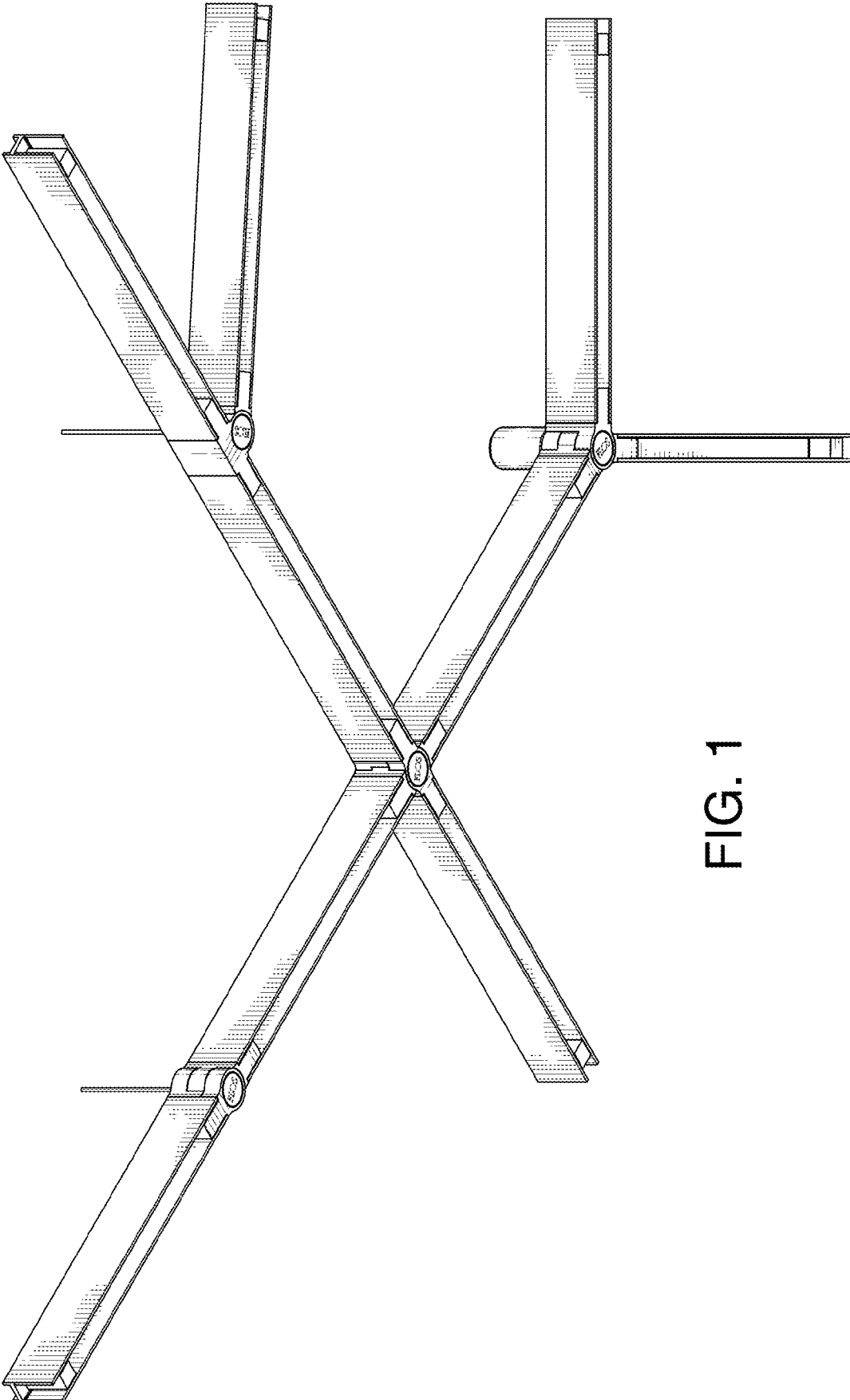


FIG. 1

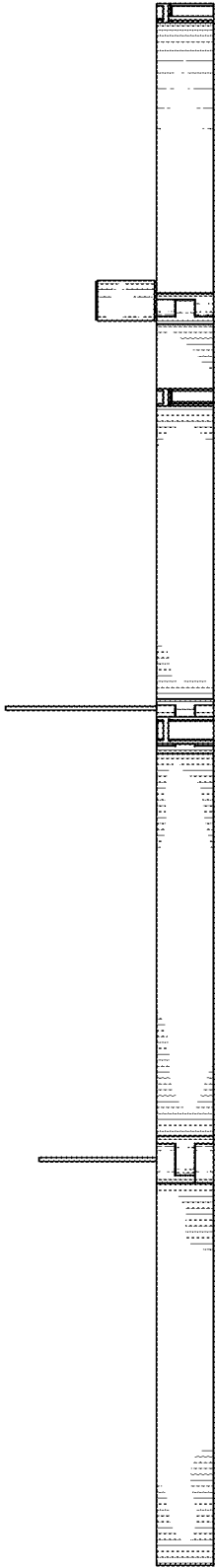


FIG. 2

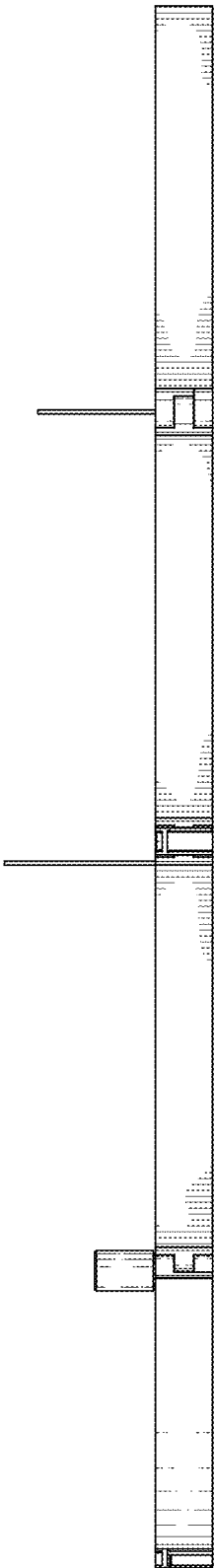


FIG. 3

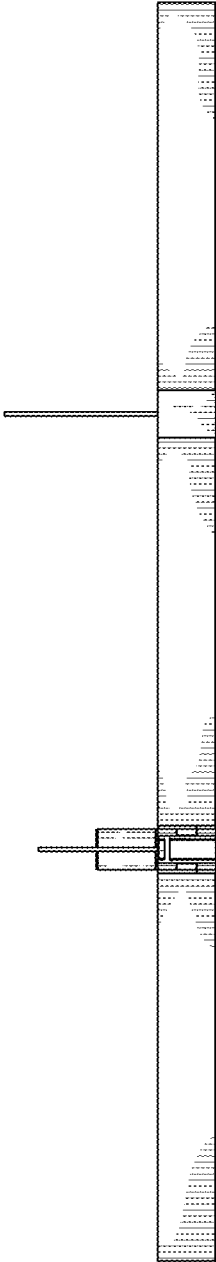


FIG. 4

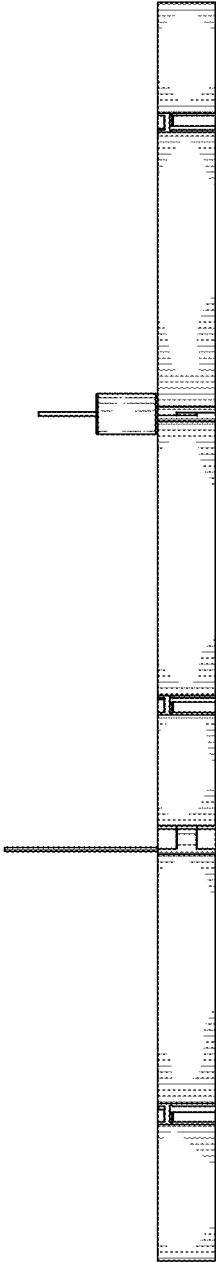


FIG. 5

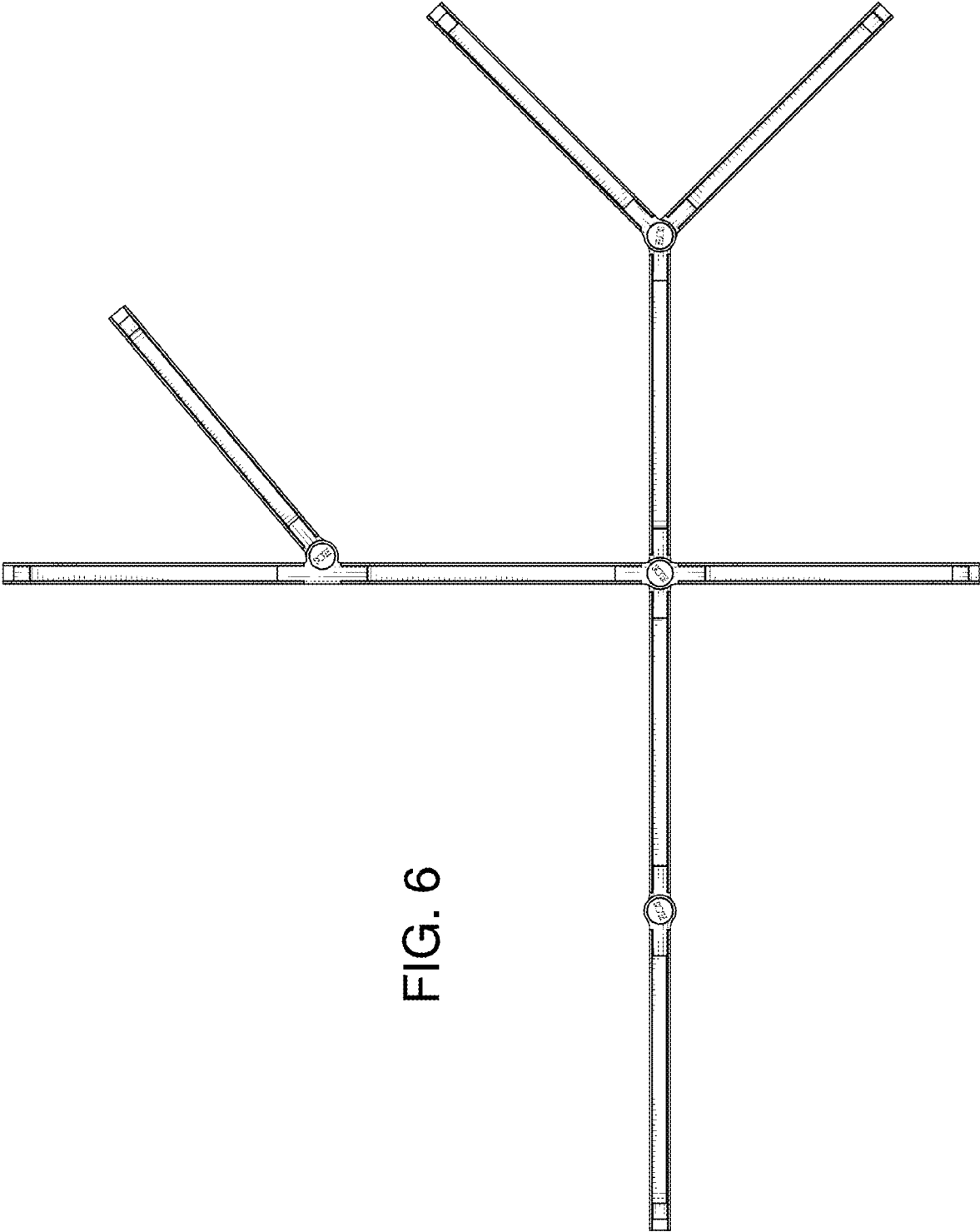
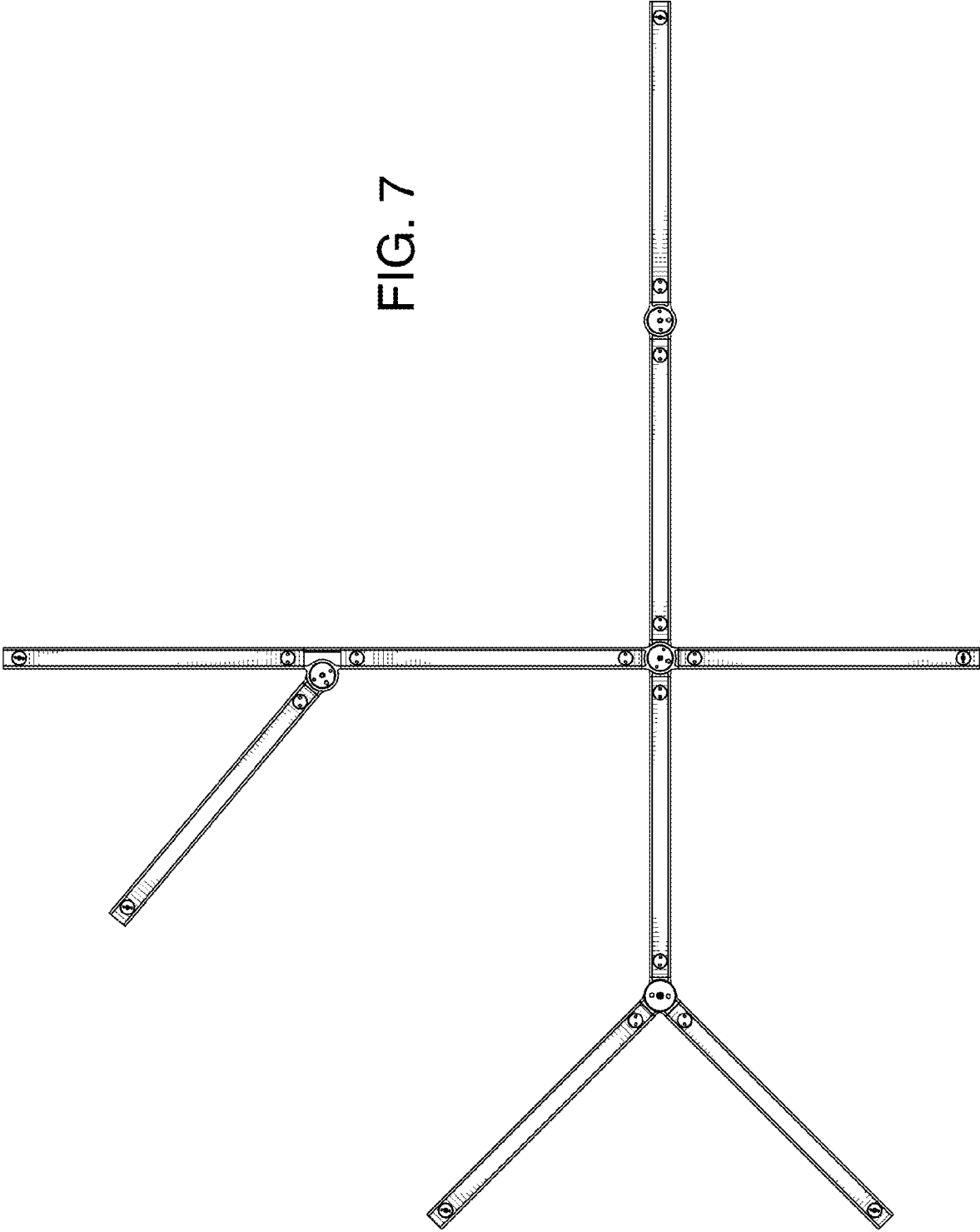


FIG. 6

FIG. 7



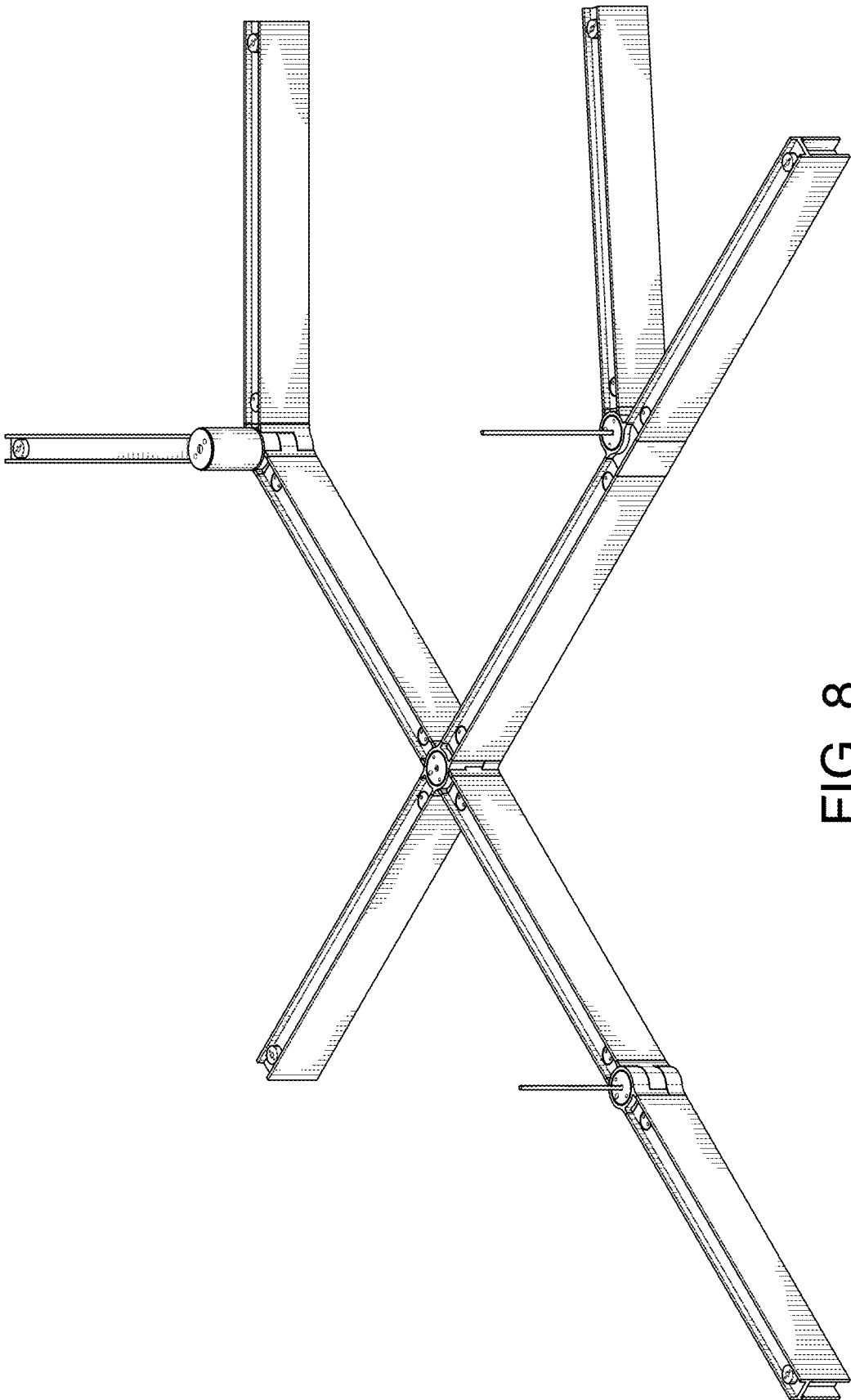


FIG. 8