



US00D741896S

(12) **United States Design Patent**  
**Park et al.**

(10) **Patent No.:** **US D741,896 S**

(45) **Date of Patent:** **\*\* Oct. 27, 2015**

(54) **DISPLAY SCREEN OR PORTION THEREOF WITH ANIMATED GRAPHICAL USER INTERFACE**

(71) Applicant: **Samsung Electronics Co., Ltd.**,  
Suwon-si (KR)

(72) Inventors: **Min-Sun Park**, Seoul (KR); **Jiny Kwon**,  
Sungnam-Si (KR); **Steve Jeong**,  
Incheon-Si (KR)

(73) Assignee: **Samsung Electronics Co., Ltd.**,  
Suwon-si (KR)

(\*\*) Term: **14 Years**

(21) Appl. No.: **29/459,714**

(22) Filed: **Jul. 2, 2013**

(30) **Foreign Application Priority Data**

Jan. 4, 2013 (KR) ..... 30-2013-0000434

(51) **LOC (10) Cl.** ..... **14-04**

(52) **U.S. Cl.**  
USPC ..... **D14/487**

(58) **Field of Classification Search**  
USPC ..... D14/485-495; 715/700, 703, 710, 711,  
715/731, 743, 758, 780, 838, 840, 845, 846,  
715/864, 759, 762, 763, 765, 770, 779, 783,  
715/786, 787, 795, 810, 818, 819, 820, 835  
CPC . G06F 3/04817; G06F 3/0482; G06F 3/0481;  
G06F 3/048; G06F 3/04855; G06F 3/0485;  
G06F 17/30884; G06F 17/30864; G06F  
17/30979; G06Q 10/10; G06Q 10/107;  
G06Q 40/02

See application file for complete search history.

(56) **References Cited**

U.S. PATENT DOCUMENTS

6,262,724 B1 \* 7/2001 Crow et al. .... 715/723  
D522,525 S \* 6/2006 Melander et al. .... D14/487

(Continued)

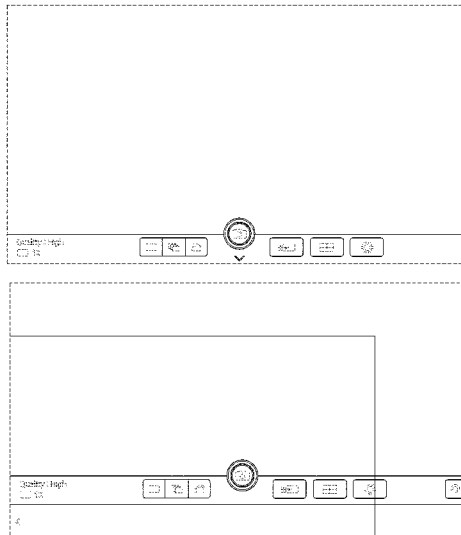
*Primary Examiner* — Barbara Fox  
*Assistant Examiner* — Dana K Weiland  
(74) *Attorney, Agent, or Firm* — NSIP Law

(57) **CLAIM**  
The ornamental design for a display screen or portion thereof with animated graphical user interface, as shown and described.

**DESCRIPTION**

FIG. 1 is a front view of a first image in a sequence for a display screen or portion thereof with animated graphical user interface showing our new design, FIG. 2 is a front view of the second image thereof; FIG. 3 is a front view of the third image thereof; FIG. 4 is a front view of the third image thereof; FIG. 5 is a front view of FIG. 1, in which a display device in broken lines is provided to illustrate an example environment; FIG. 6 is a front view of a first image in a second sequence for a display screen or portion thereof with animated graphical user interface; FIG. 7 is a front view of the second image thereof; FIG. 8 is a front view of the third image thereof; FIG. 9 is a front view of the fourth image thereof; and, FIG. 10 is a front view of FIG. 6, in which a display device in broken lines is provided to illustrate an example environment. The appearance of the image transitions sequentially between the images shown in FIGS. 1-4 and FIGS. 6-9. The process or period in which one image transitions to another forms no part of the claimed design. The broken lines shown in the drawings represent portions of the display screen or portion thereof with animated graphical user interface and environment that form no part of the claimed design.

**1 Claim, 10 Drawing Sheets**



(56)

References Cited

U.S. PATENT DOCUMENTS

D523,871 S \* 6/2006 Hally et al. .... D14/487  
 D524,321 S \* 7/2006 Hally et al. .... D14/487  
 D525,984 S \* 8/2006 Hally et al. .... D14/487  
 D528,559 S \* 9/2006 Hally et al. .... D14/487  
 D538,296 S \* 3/2007 Sadler et al. .... D14/485  
 D564,531 S \* 3/2008 Sadler ..... D14/487  
 D604,307 S \* 11/2009 Stiller et al. .... D14/486  
 D633,515 S \* 3/2011 Soegiono et al. .... D14/487  
 D664,968 S \* 8/2012 Lee et al. .... D14/485  
 D677,678 S \* 3/2013 Esterly ..... D14/485  
 D681,046 S \* 4/2013 Davis ..... D14/486  
 D689,874 S \* 9/2013 Brinda et al. .... D14/485

D705,244 S \* 5/2014 Arnold et al. .... D14/486  
 D708,199 S \* 7/2014 Molaro et al. .... D14/486  
 D715,824 S \* 10/2014 Molaro et al. .... D14/486  
 D720,361 S \* 12/2014 Mitchell et al. .... D14/486  
 D727,354 S \* 4/2015 Park et al. .... D14/490  
 D728,616 S \* 5/2015 Gomez et al. .... D14/491  
 D730,926 S \* 6/2015 Lee et al. .... D14/486  
 2002/0105534 A1 \* 8/2002 Balassanian ..... 345/716  
 2002/0175931 A1 \* 11/2002 Holtz et al. .... 345/716  
 2004/0008224 A1 \* 1/2004 Molander et al. .... 345/764  
 2006/0015818 A1 \* 1/2006 Chaudhri et al. .... 715/779  
 2009/0249223 A1 \* 10/2009 Barsook et al. .... 715/753  
 2010/0017715 A1 \* 1/2010 Balassanian ..... 715/716  
 2010/0174993 A1 \* 7/2010 Pennington et al. .... 715/738  
 2013/0132887 A1 \* 5/2013 Amin et al. .... 715/781

\* cited by examiner

FIG. 1

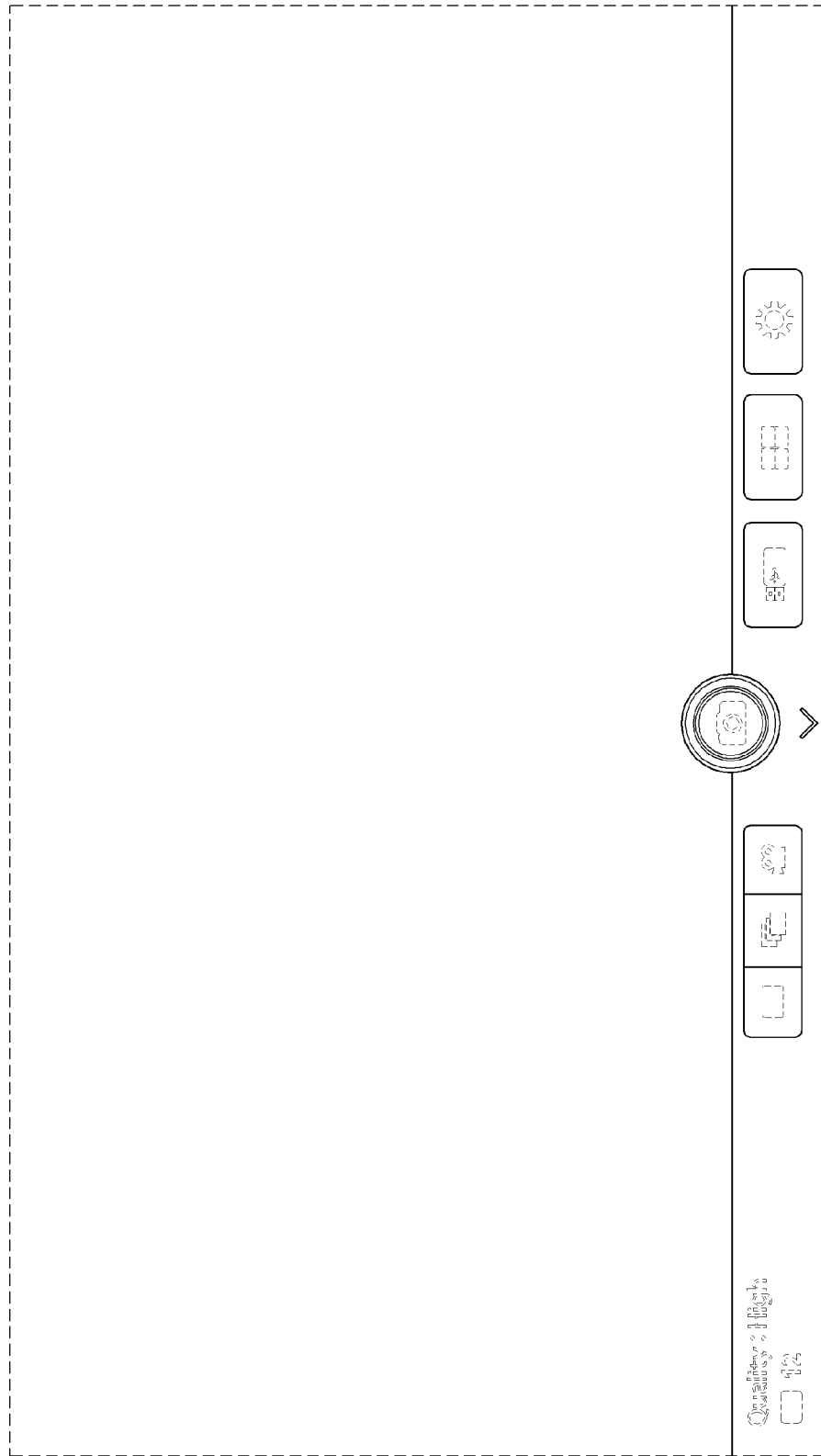


FIG. 2

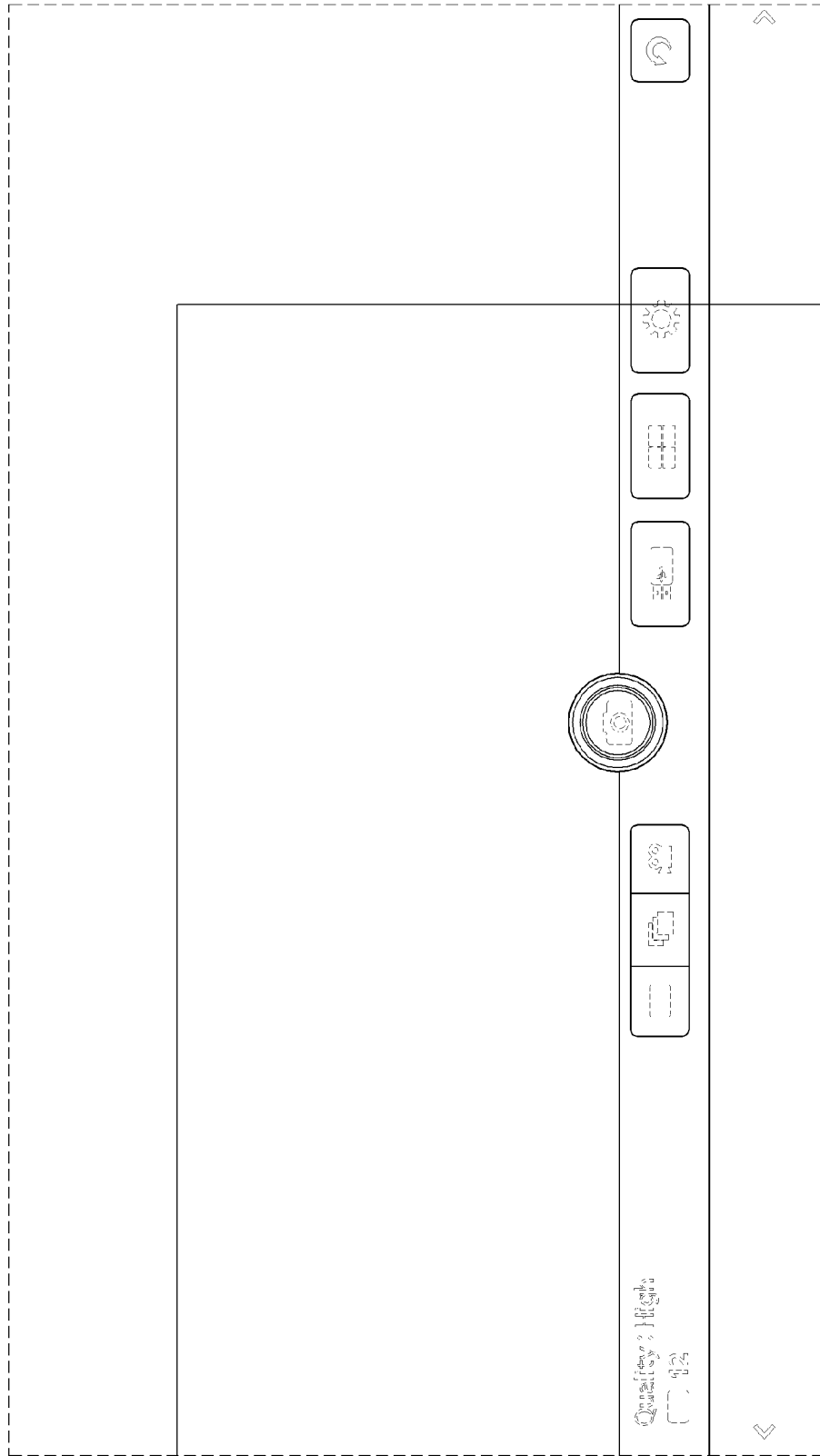


FIG. 3

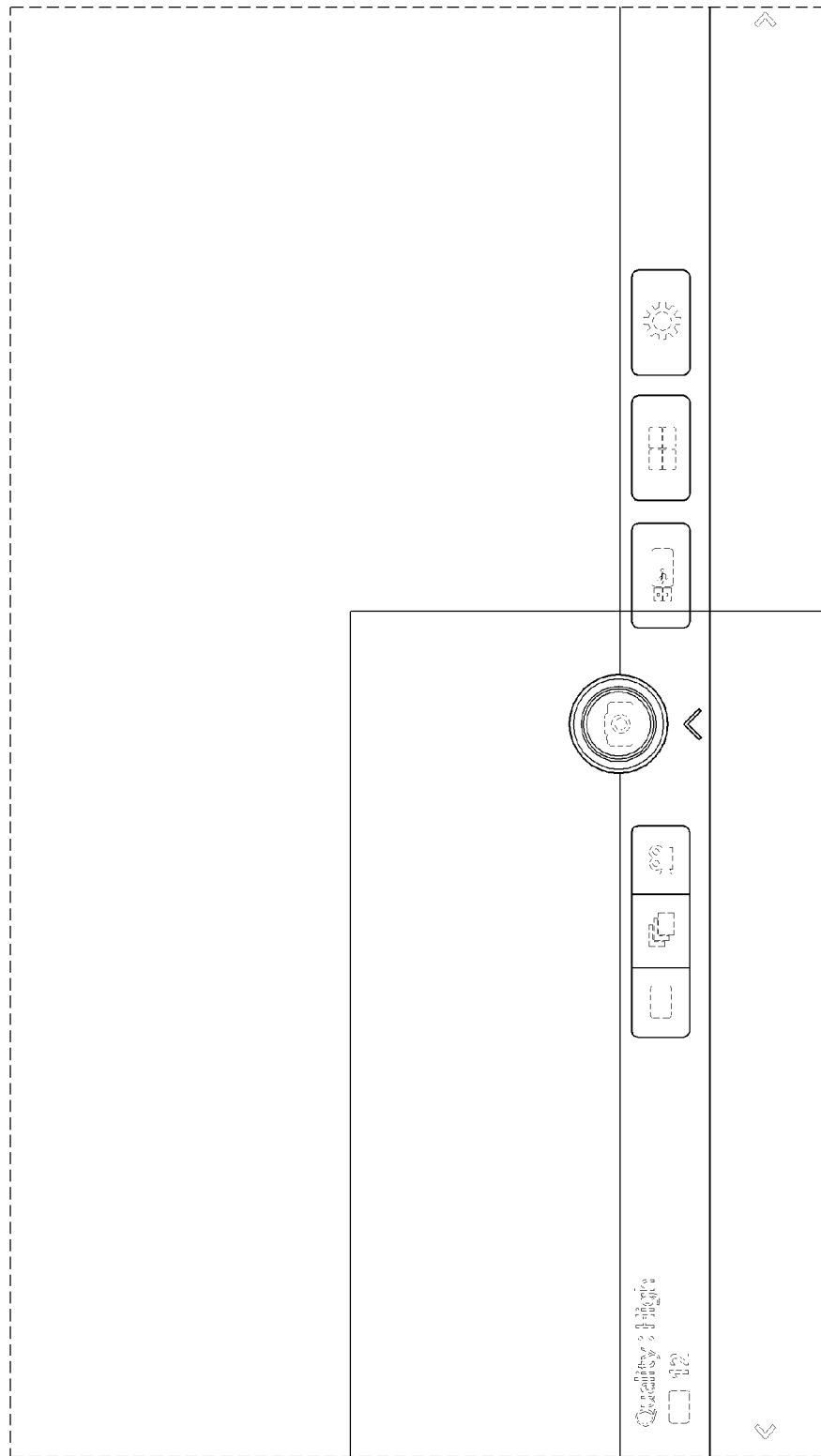


FIG. 4

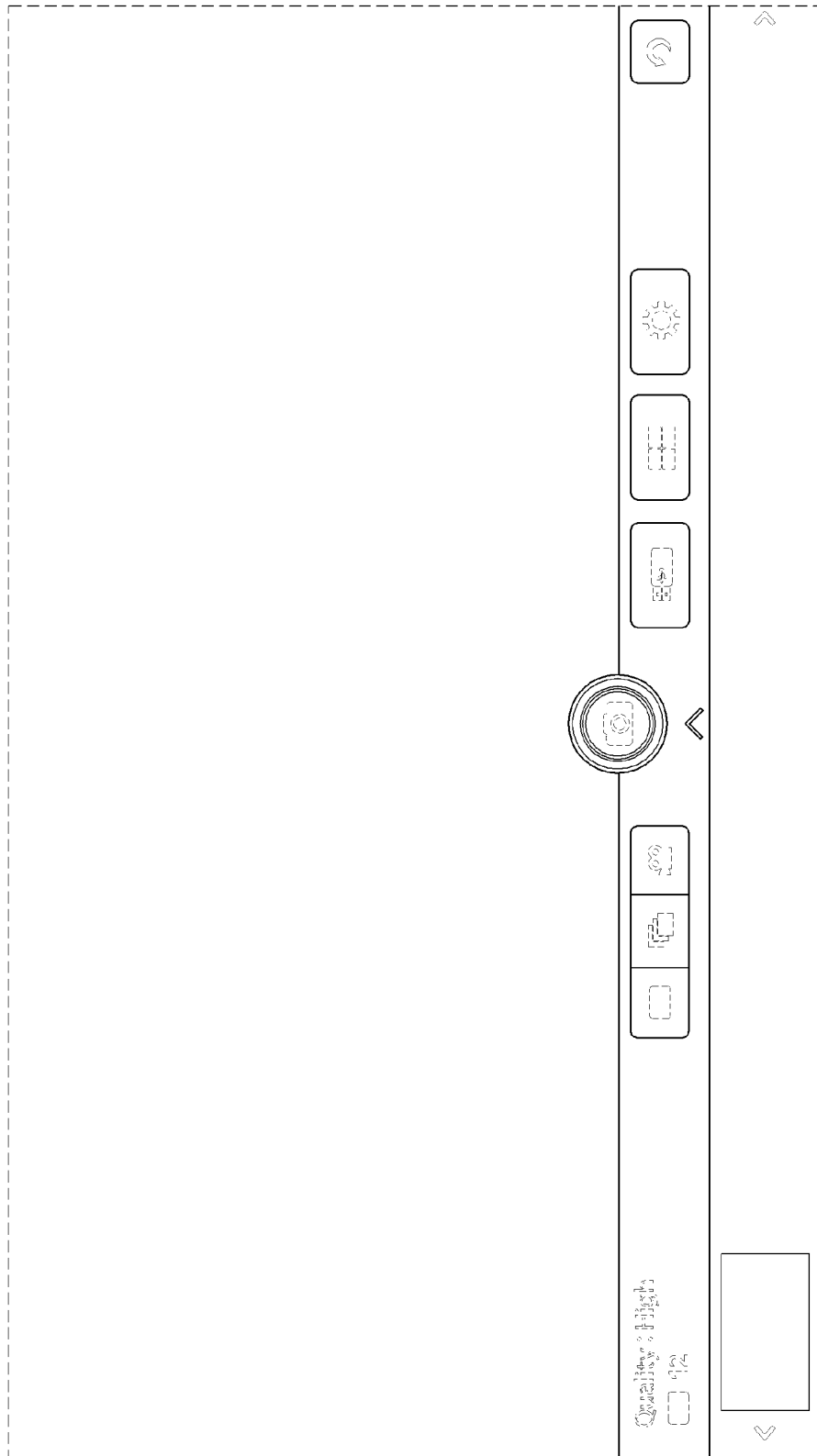


FIG. 5

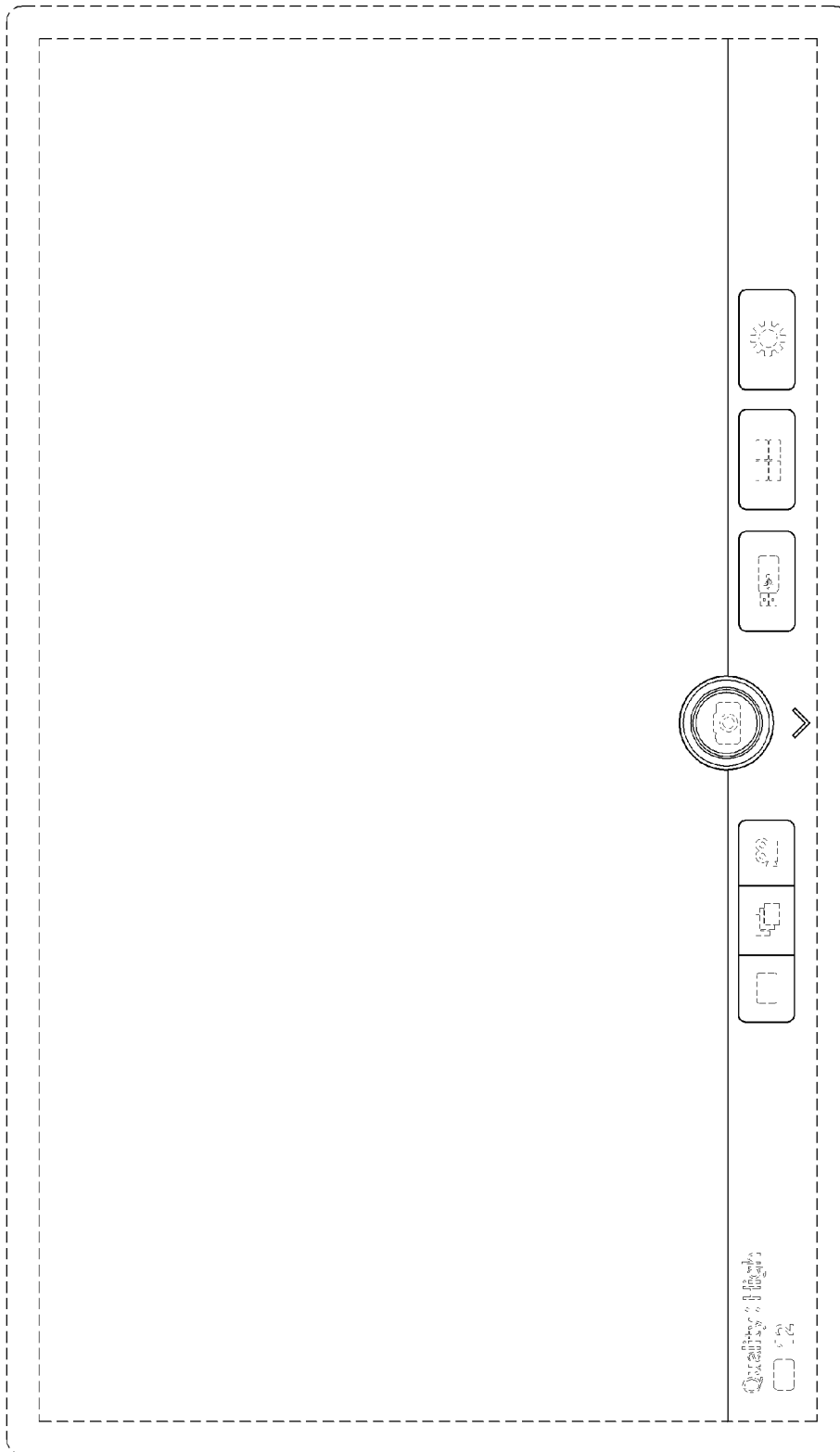


FIG. 6

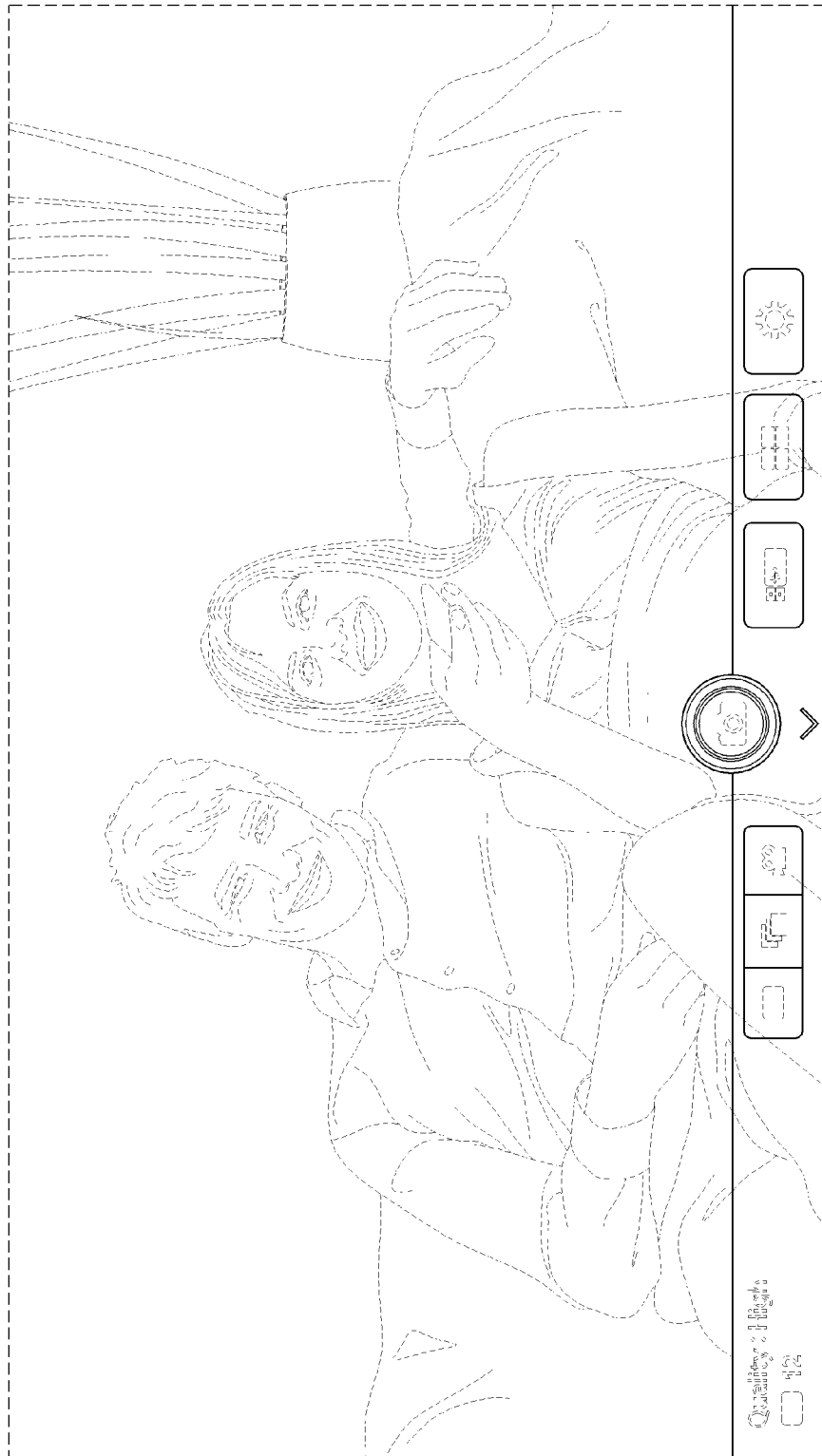




FIG. 7

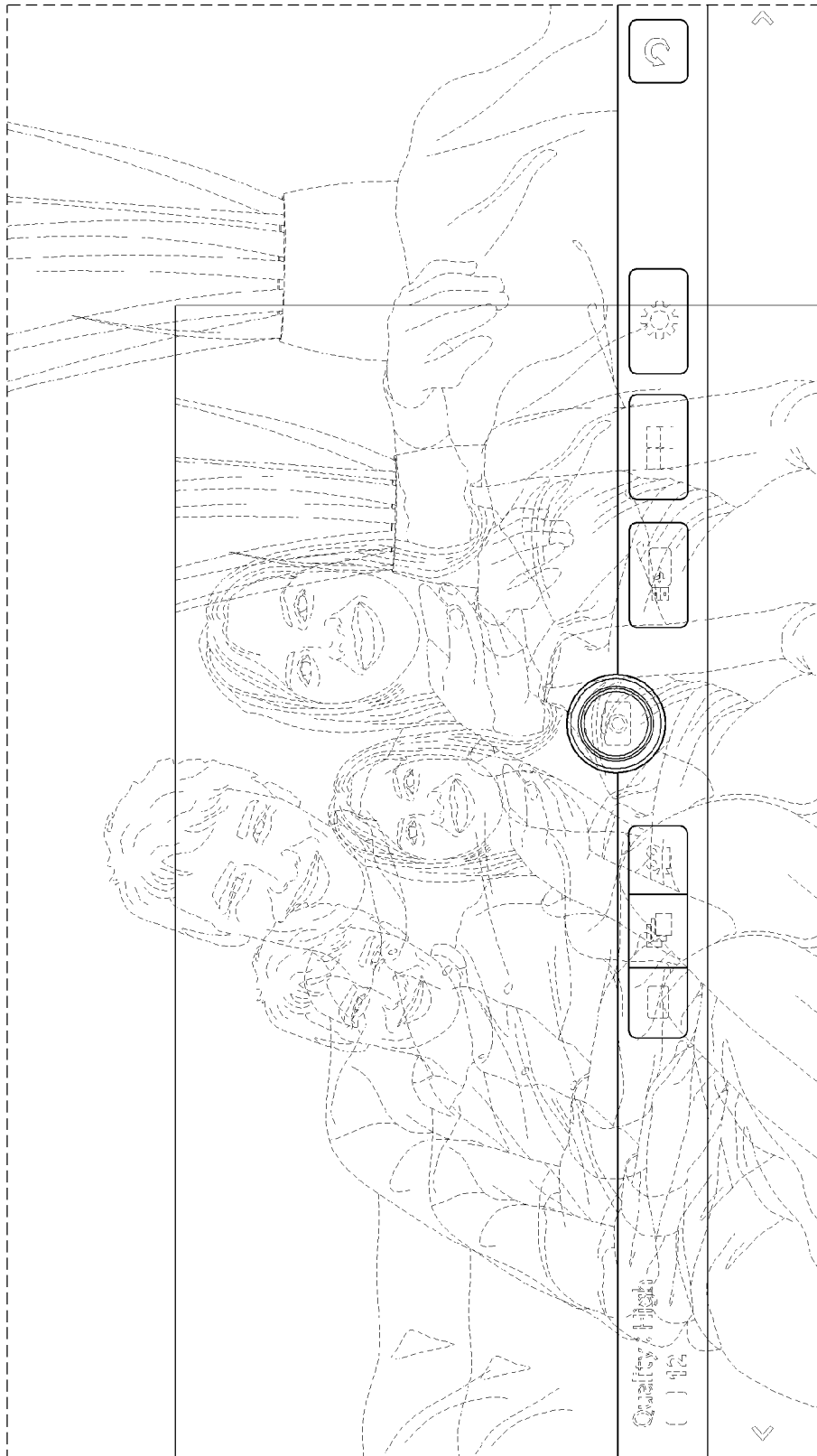


FIG. 8

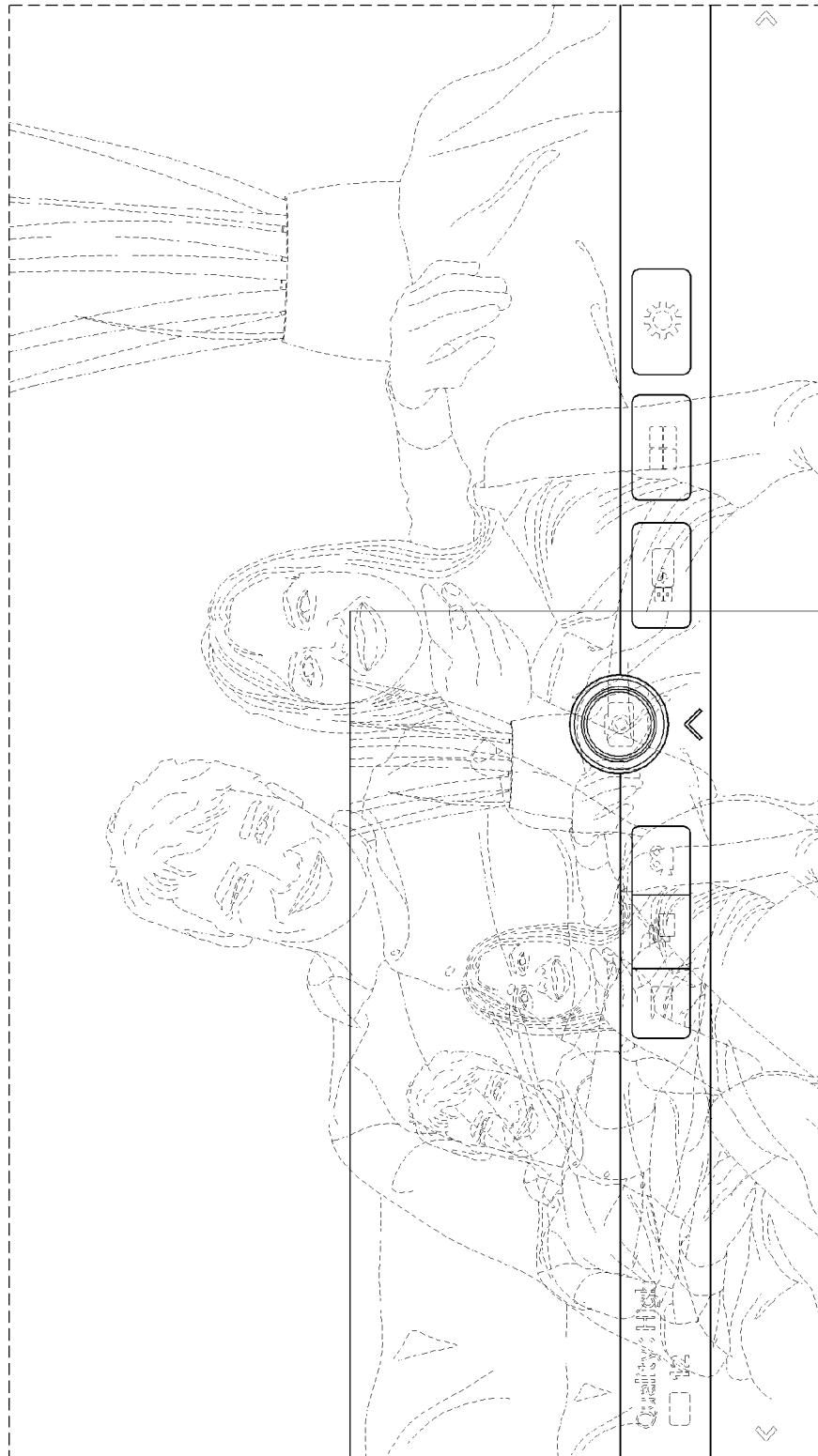


FIG. 9

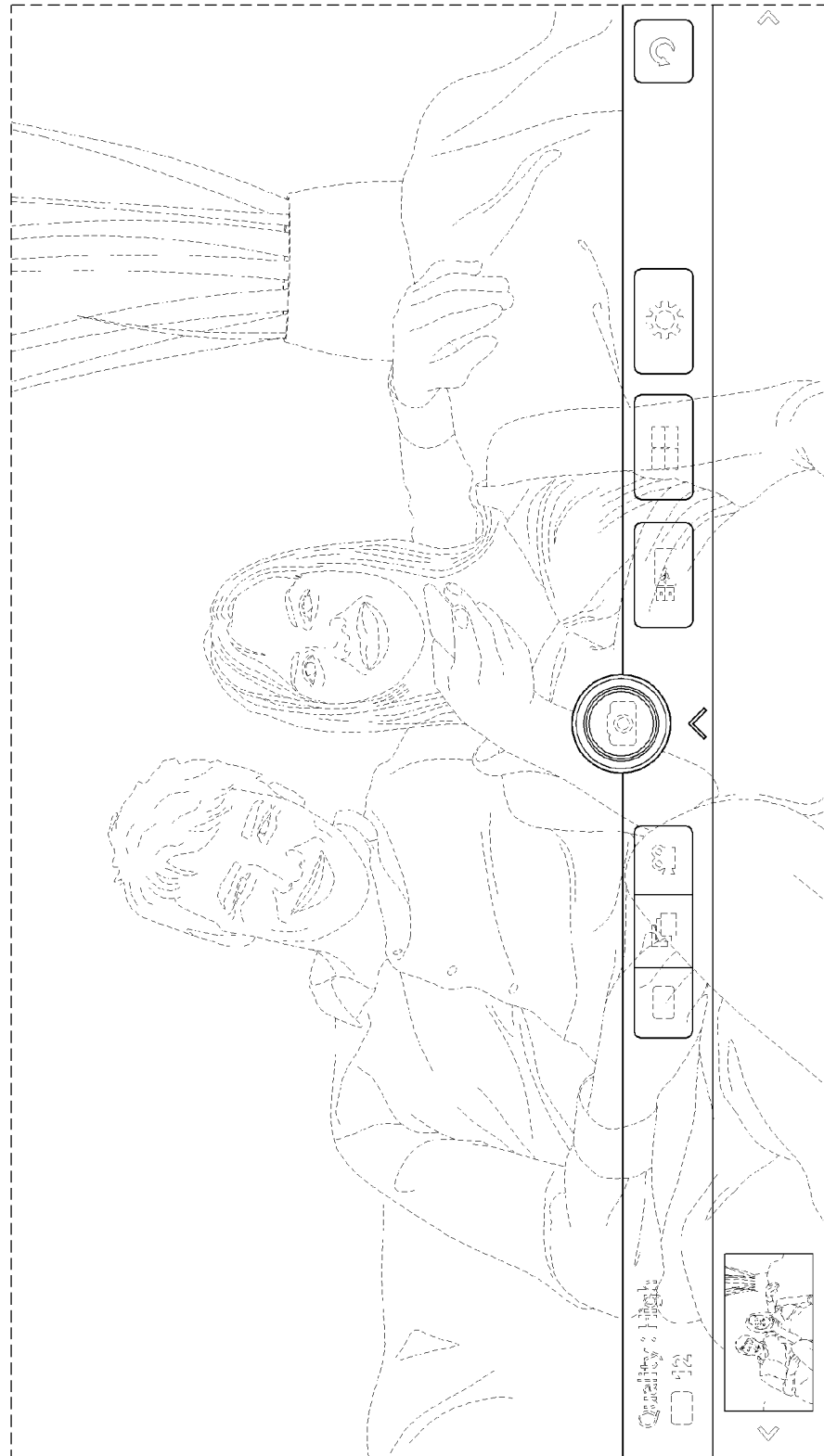


FIG. 10

