



(12) **United States Design Patent**
Bergman et al.

(10) **Patent No.:** **US D887,660 S**
(45) **Date of Patent:** **** Jun. 16, 2020**

- (54) **PAINT CONTAINER LINER**
- (71) Applicant: **Bercom International, LLC**,
Chanhassen, MN (US)
- (72) Inventors: **Mark W. Bergman**, Minnetonka, MN
(US); **Jeffrey T. Given**, St. Paul, MN
(US); **Matthew V. Leyden**, St. Paul,
MN (US); **Jeffrey B. Waffensmith**,
North Oaks, MN (US)
- (73) Assignee: **Bercom International, LLC**,
Chanhassen, MN (US)
- (**) Term: **15 Years**
- (21) Appl. No.: **29/661,925**
- (22) Filed: **Aug. 31, 2018**

7,191,913 B2 * 3/2007 Byrne B44D 3/121
220/570
D607,624 S * 1/2010 Bergman D32/54
D673,339 S * 12/2012 Bergman D32/54
D692,198 S * 10/2013 Bergman D32/54
D702,907 S * 4/2014 Bergman D32/54
D723,235 S * 2/2015 Bergman D32/53.1
D728,884 S * 5/2015 Waffensmith D32/54
D740,509 S * 10/2015 Bergman B44D 3/126
D32/53.1
D756,049 S * 5/2016 Arvinte B05C 17/0245
D32/53

(Continued)

Primary Examiner — Sheryl Lane
Assistant Examiner — Calvin E Vansant
(74) *Attorney, Agent, or Firm* — James L. Young;
Westman, Champlin & Koehler, P.A.

(57) **CLAIM**

The ornamental design for a paint container liner, as shown and described.

Related U.S. Application Data

- (60) Division of application No. 29/610,406, filed on Jul. 12, 2017, now Pat. No. Des. 832,544, which is a continuation of application No. 29/564,142, filed on May 11, 2016, now Pat. No. Des. 796,140.
- (51) **LOC (12) Cl.** **07-05**
- (52) **U.S. Cl.**
USPC **D32/54**
- (58) **Field of Classification Search**
USPC D32/53, 53.1, 54; D3/304, 307, 315
CPC B44D 3/123; B44D 3/128; B44D 3/12;
A47L 13/142; A47L 13/58; B65D 25/14
See application file for complete search history.

References Cited

U.S. PATENT DOCUMENTS

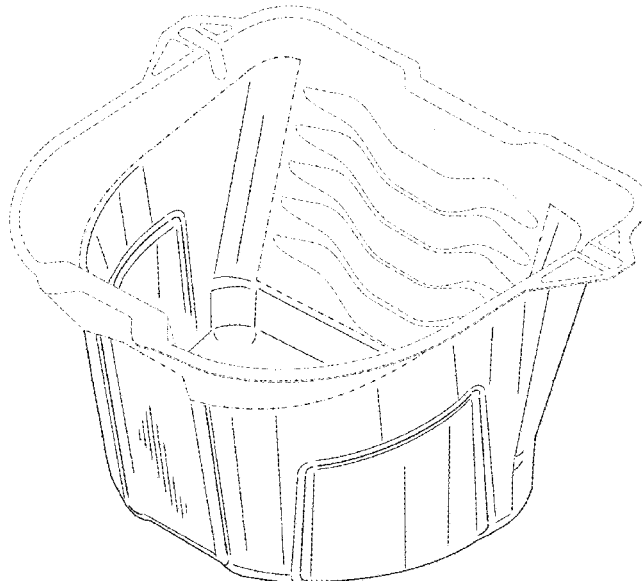
D301,785 S * 6/1989 Goetz D32/53.1
D493,035 S * 7/2004 Bergman D3/304

DESCRIPTION

FIG. 1 is a perspective view of a paint container liner;
FIG. 2 is a left side view of the paint container liner of FIG. 1;
FIG. 3 is a right side view of the paint container liner of FIG. 1;
FIG. 4 is a back view of the paint container liner of FIG. 1;
FIG. 5 is a front view of the paint container liner of FIG. 1;
FIG. 6 is a top view of the paint container liner of FIG. 1;
and,
FIG. 7 is a bottom view of the paint container liner of FIG. 1.

The dashed lines in the figures depict portions of the paint container liner that form no part of the claimed design. The dot dashed lines in the FIGS. represent the border between claimed and unclaimed subject matter and form no part of the claimed design.

1 Claim, 7 Drawing Sheets



(56)

References Cited

U.S. PATENT DOCUMENTS

D756,583	S *	5/2016	Arvinte	D32/53
D794,892	S *	8/2017	Bergman	D32/53.1
D796,140	S *	8/2017	Bergman	D32/53.1
D832,544	S *	10/2018	Bergman	D32/53.1
D836,876	S *	12/2018	Bergman	B44D 3/121
					D32/53.1
D838,072	S *	1/2019	Bergman	D32/53.1
2004/0195248	A1 *	10/2004	Garcia	B05C 17/0245
					220/570
2004/0206761	A1 *	10/2004	Frantz	B44D 3/126
					220/570

* cited by examiner

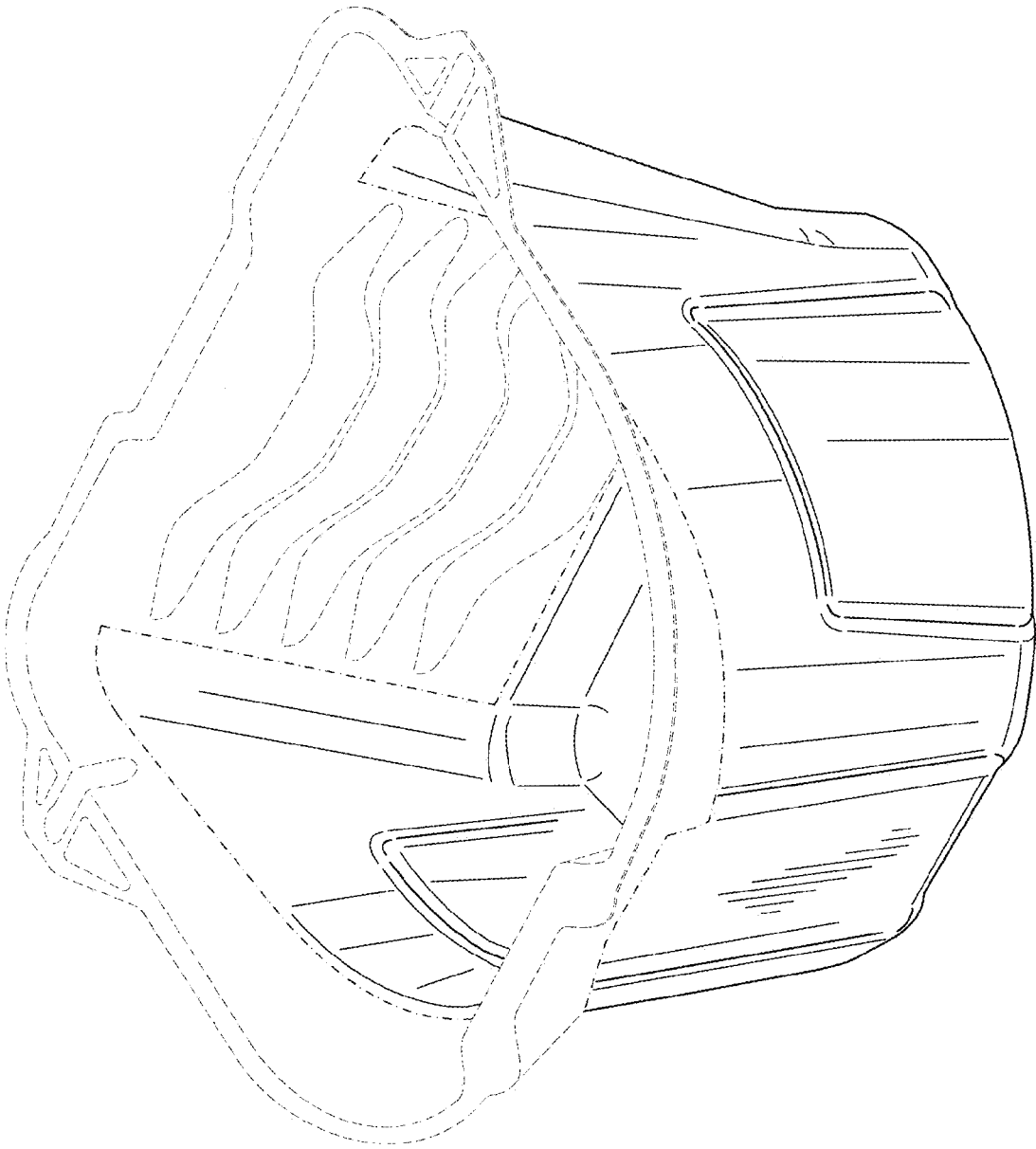


Fig. 1

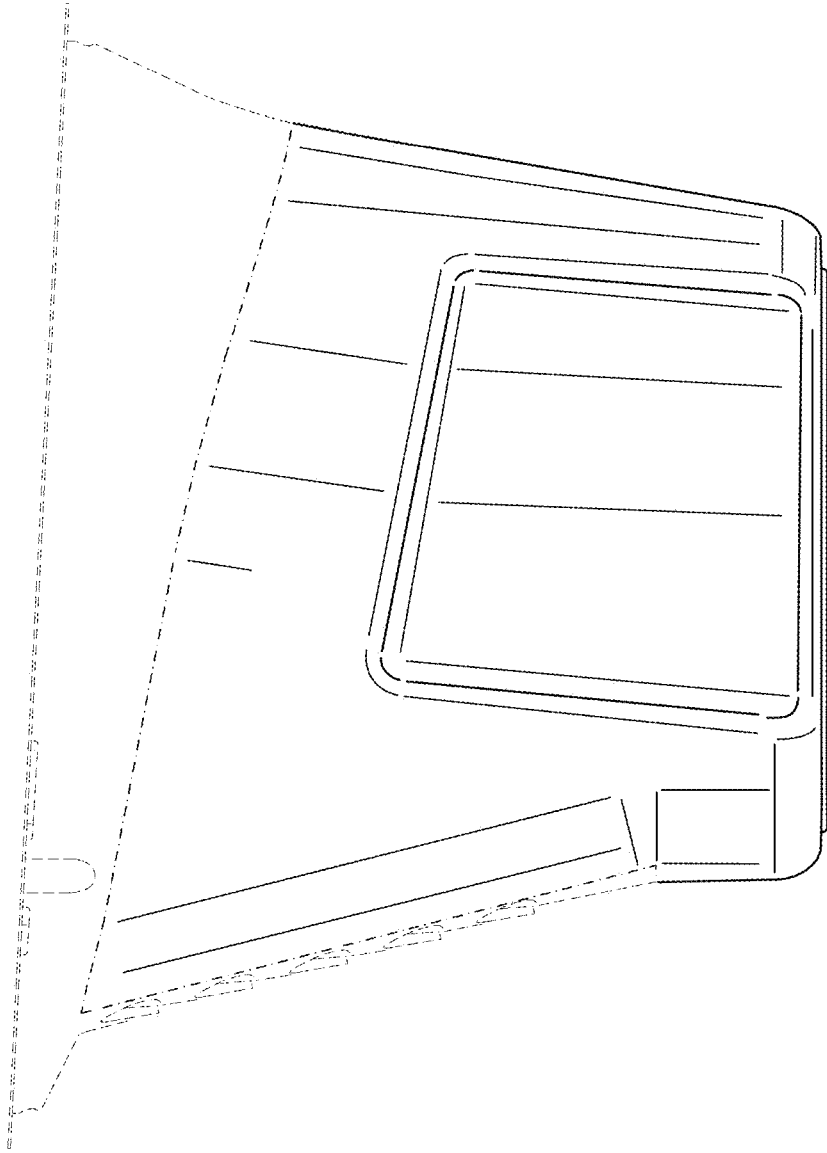


Fig. 2

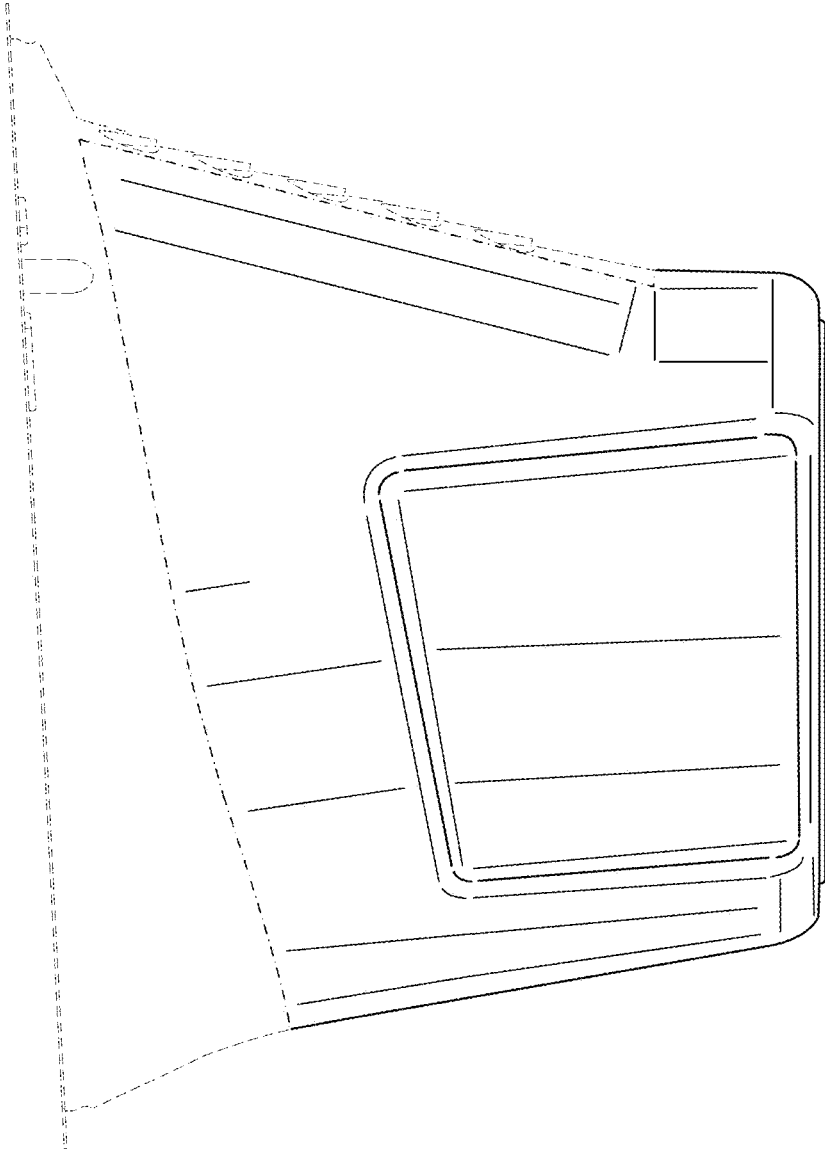


Fig. 3

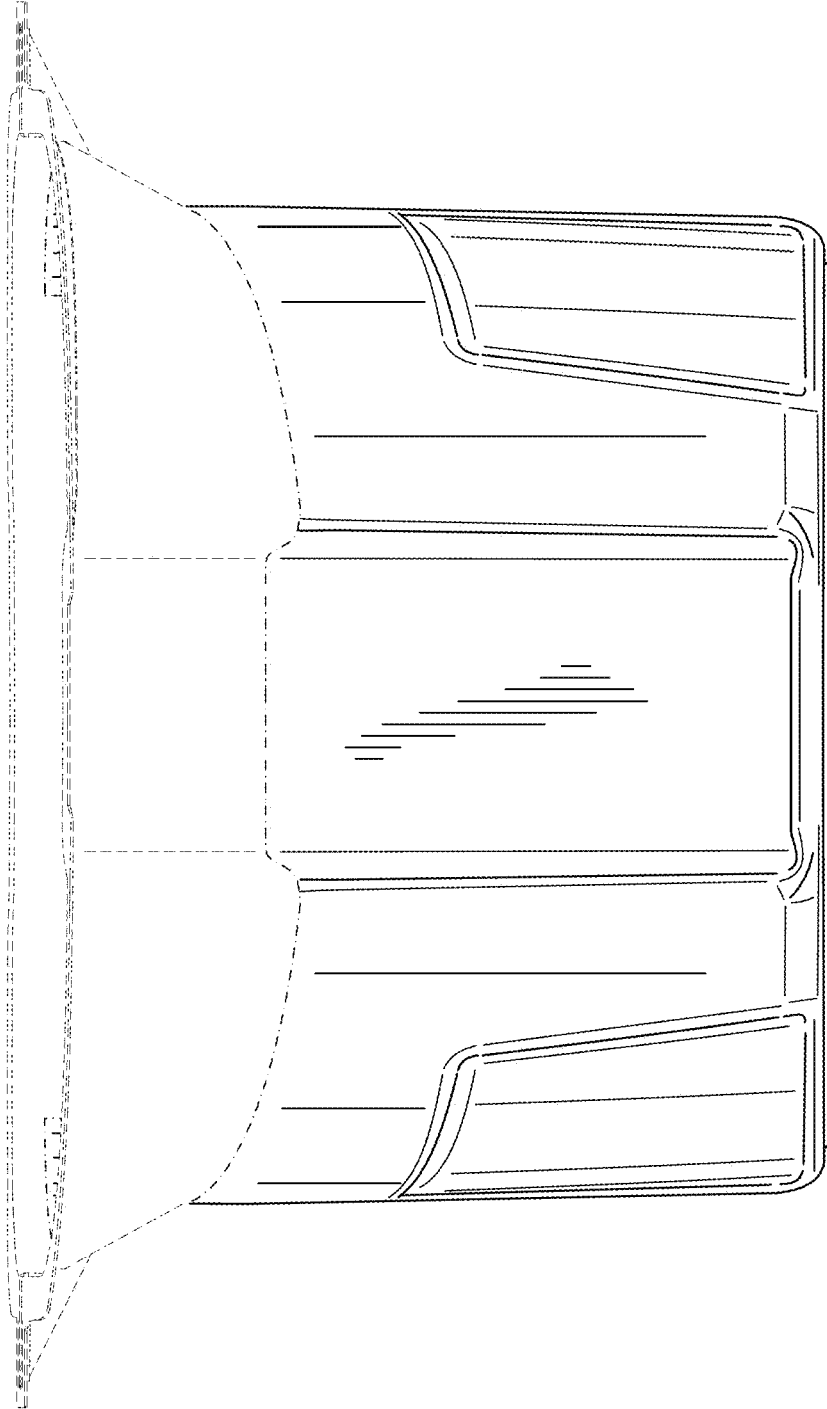


Fig. 4

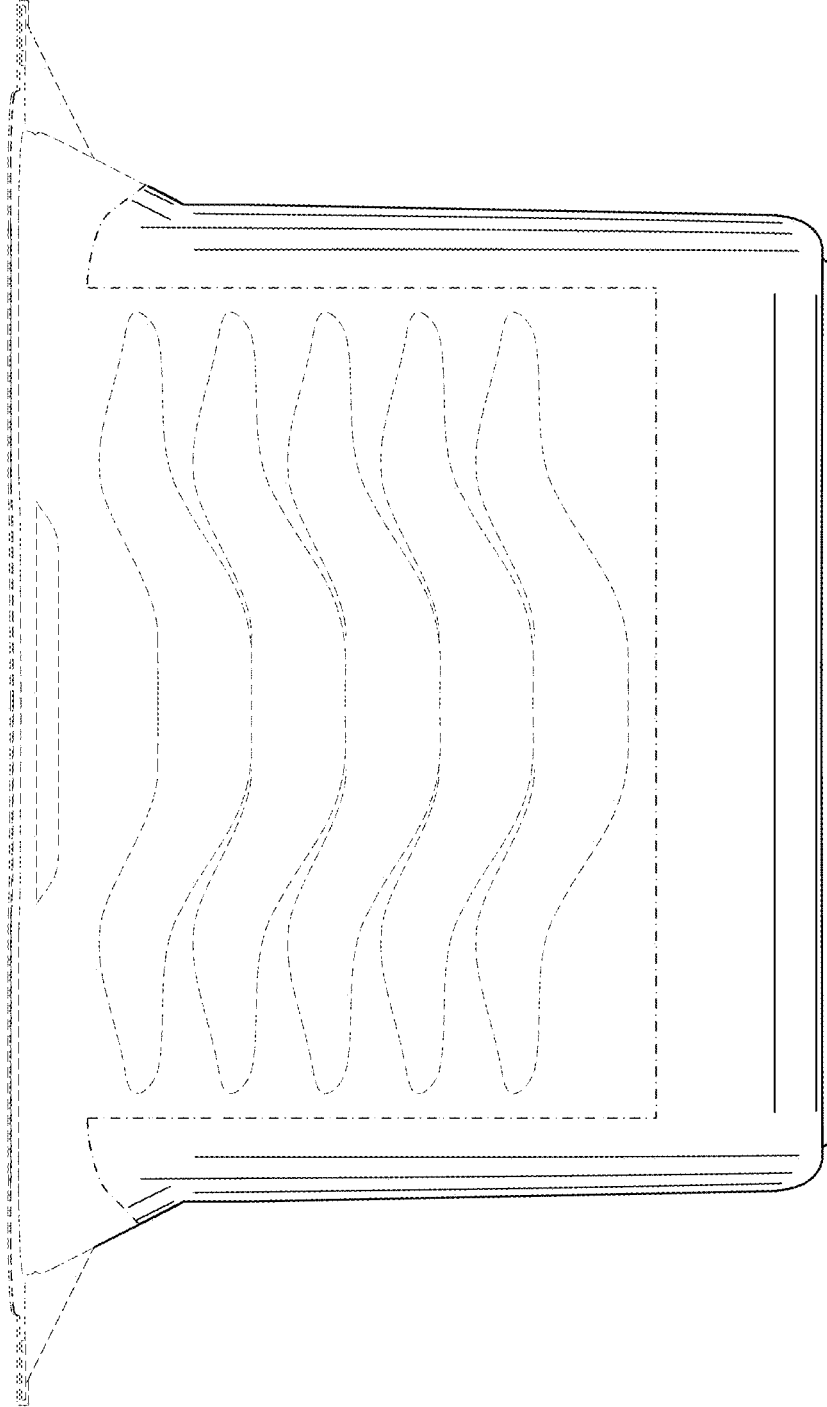


Fig. 5

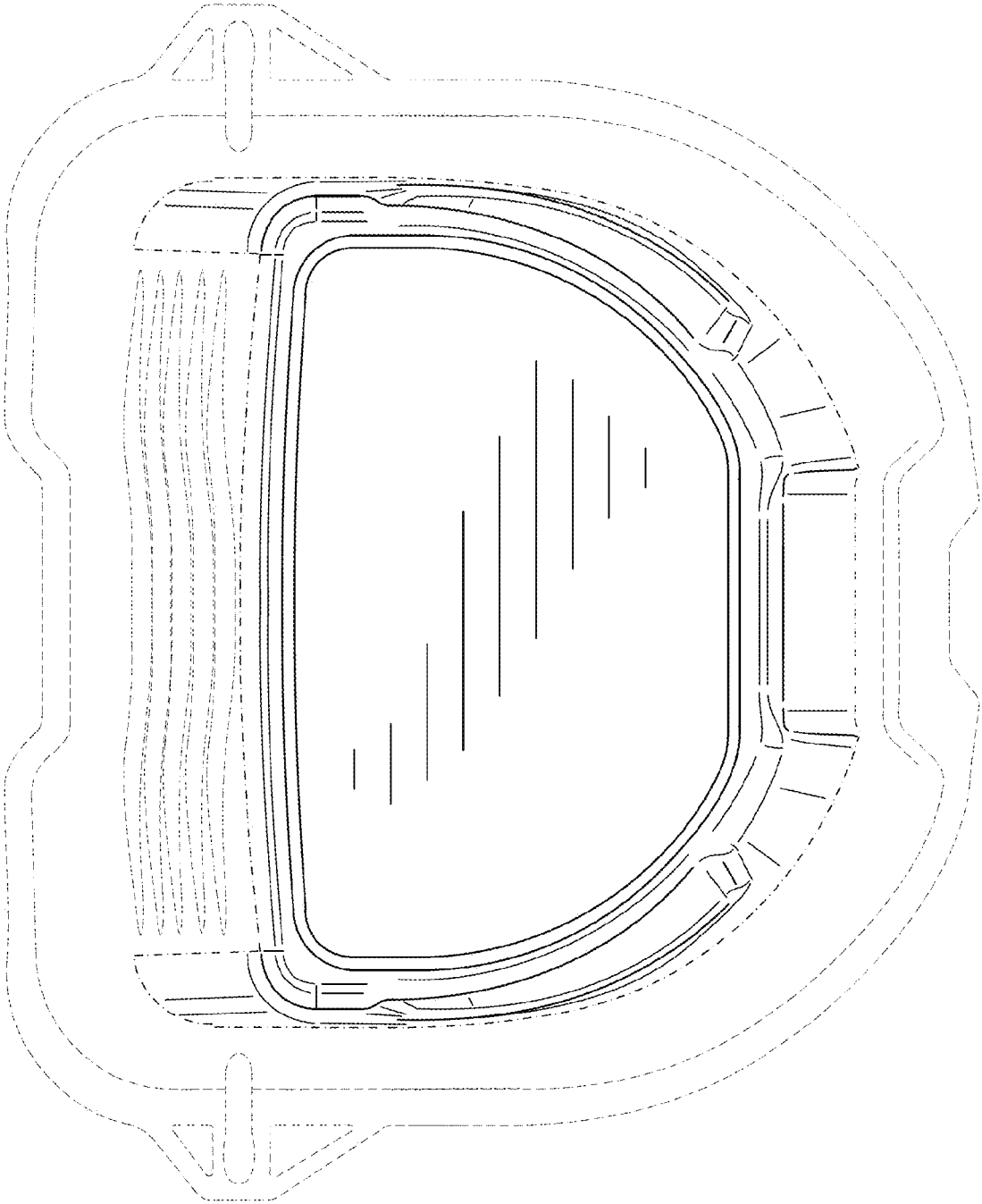


Fig. 6

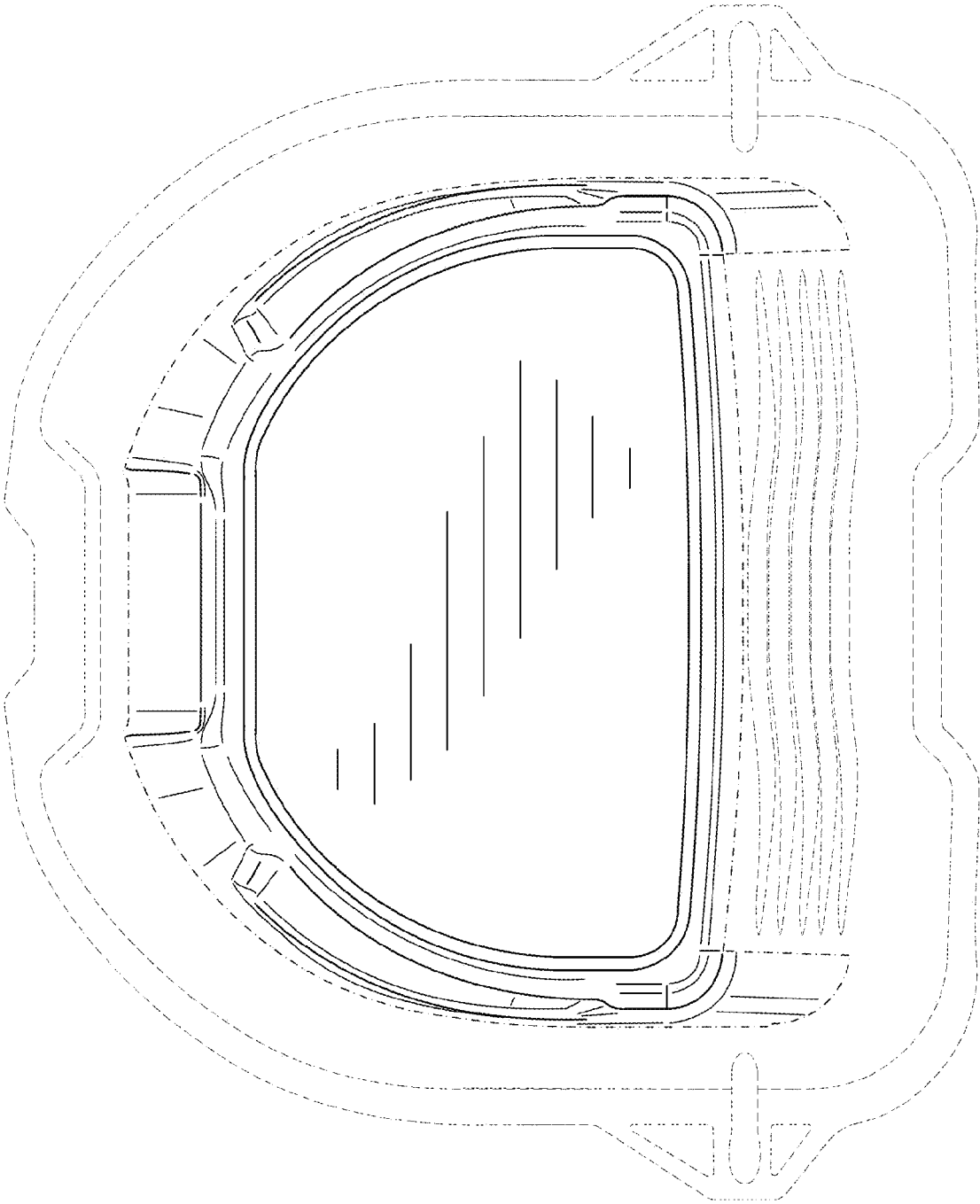


Fig. 7